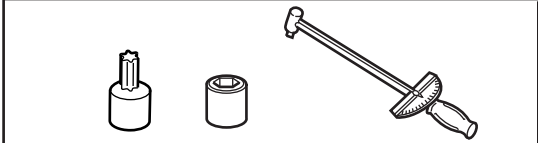
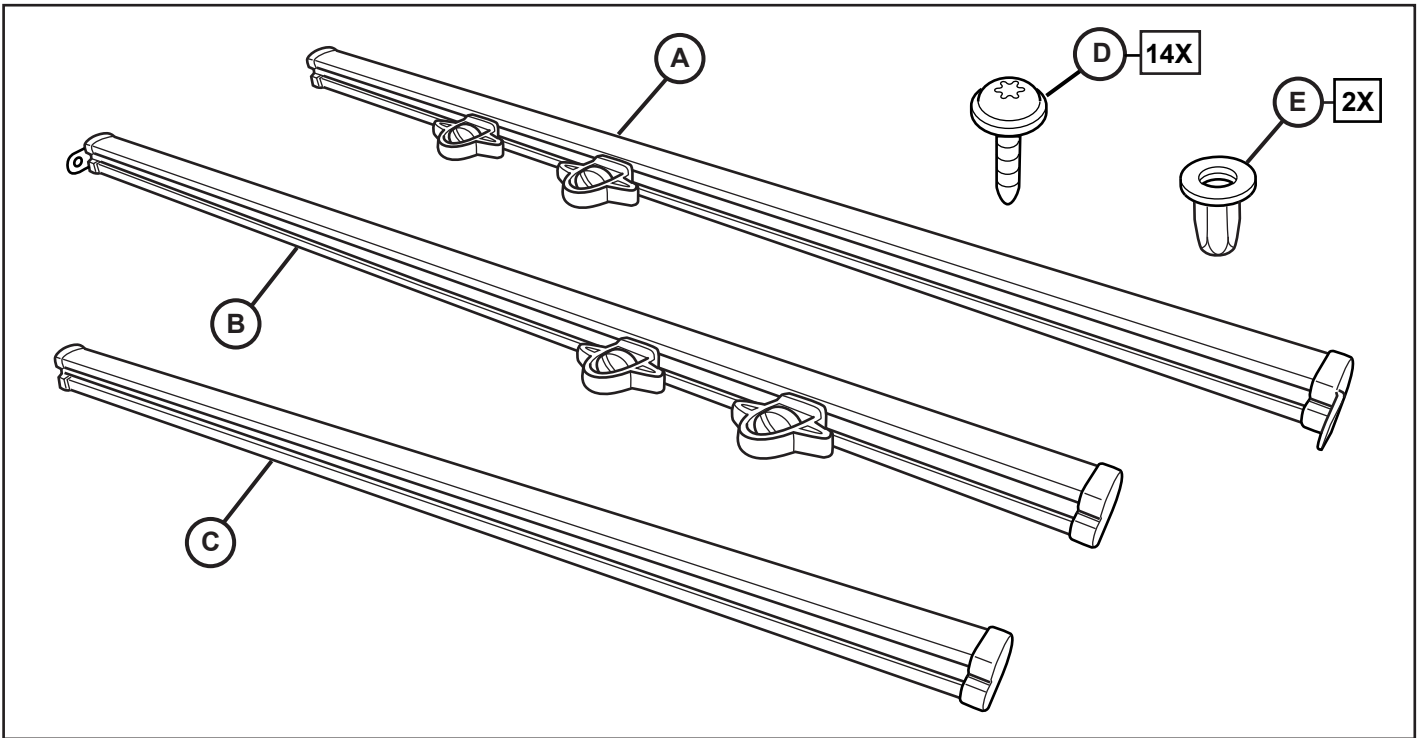


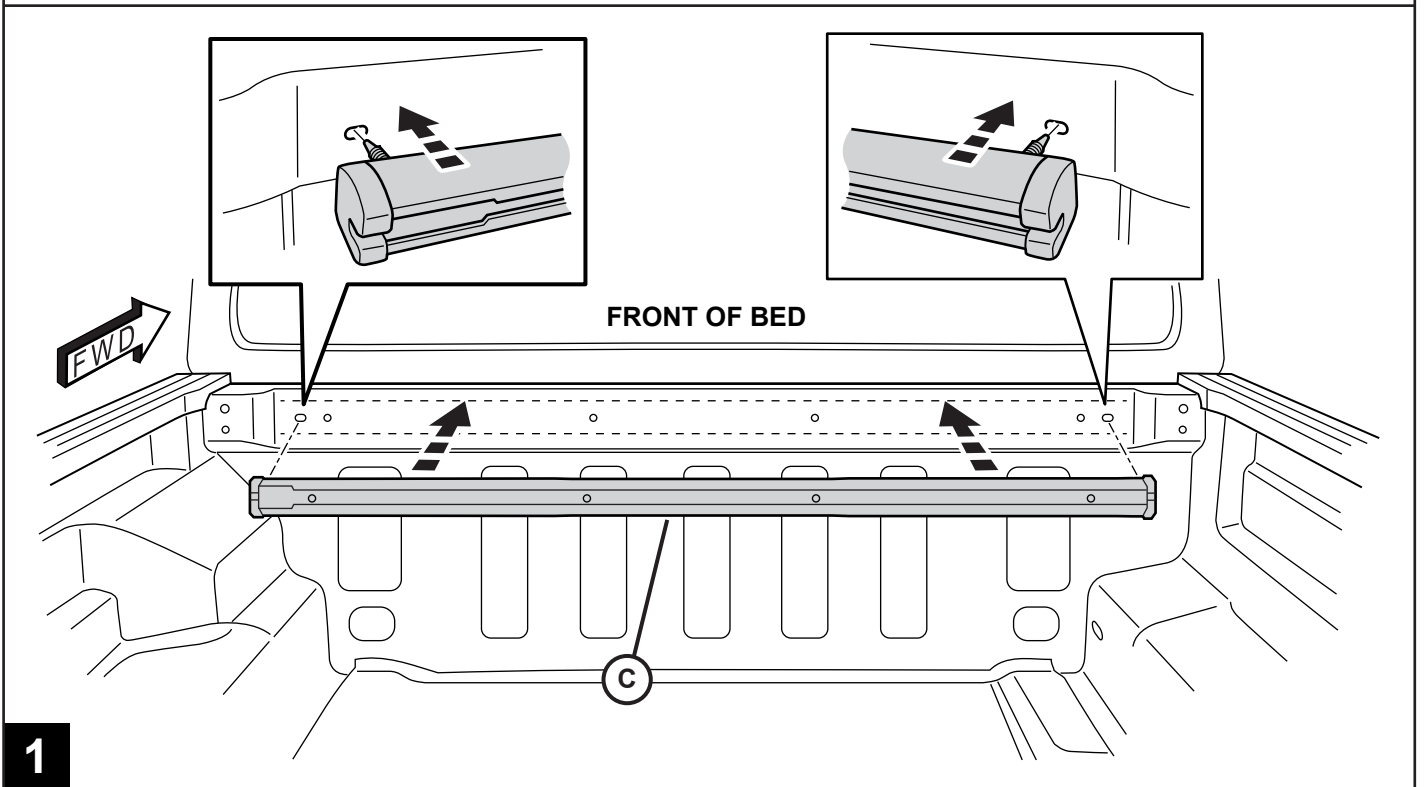


TIE DOWN RAILS JEEP GLADIATOR

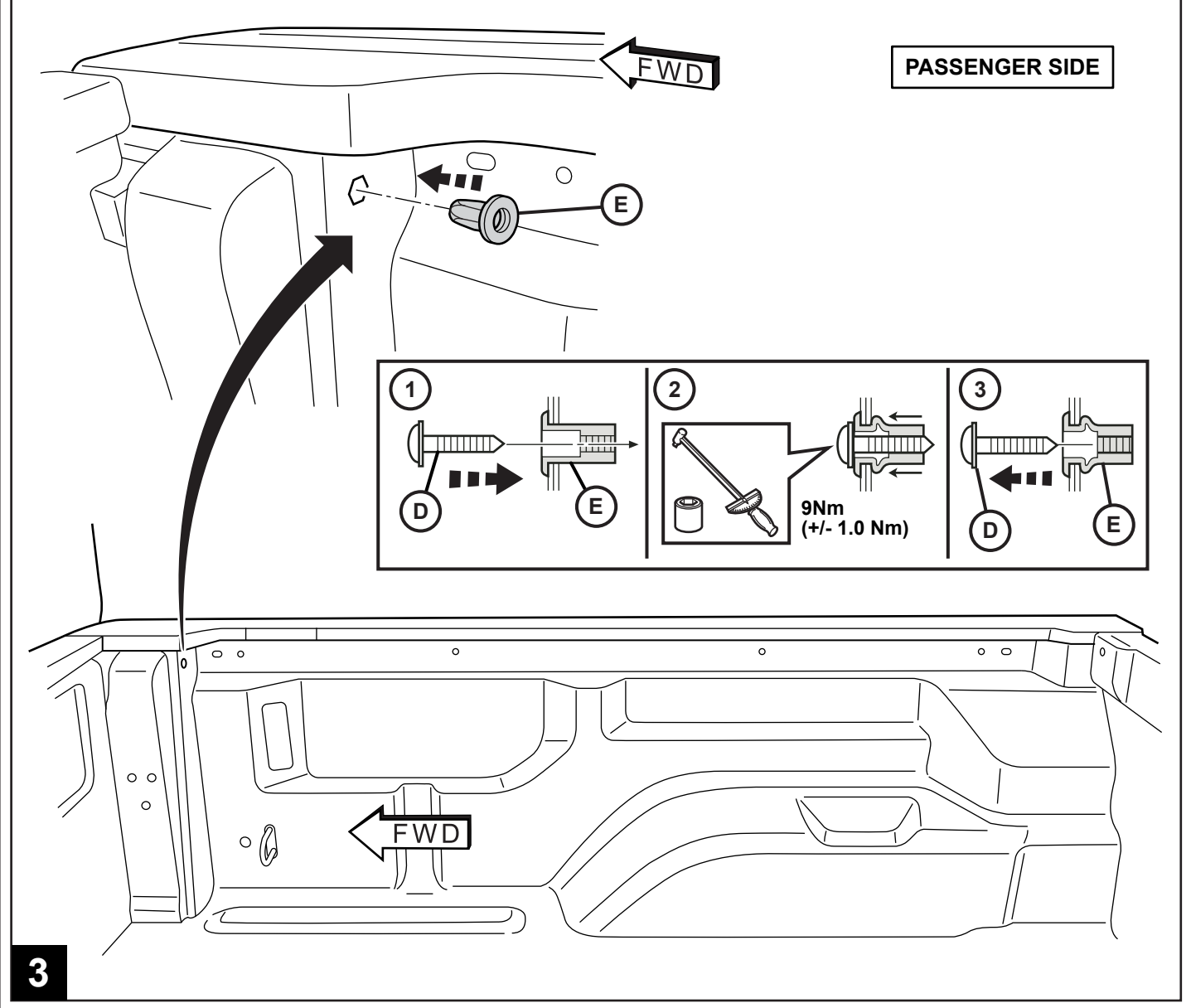
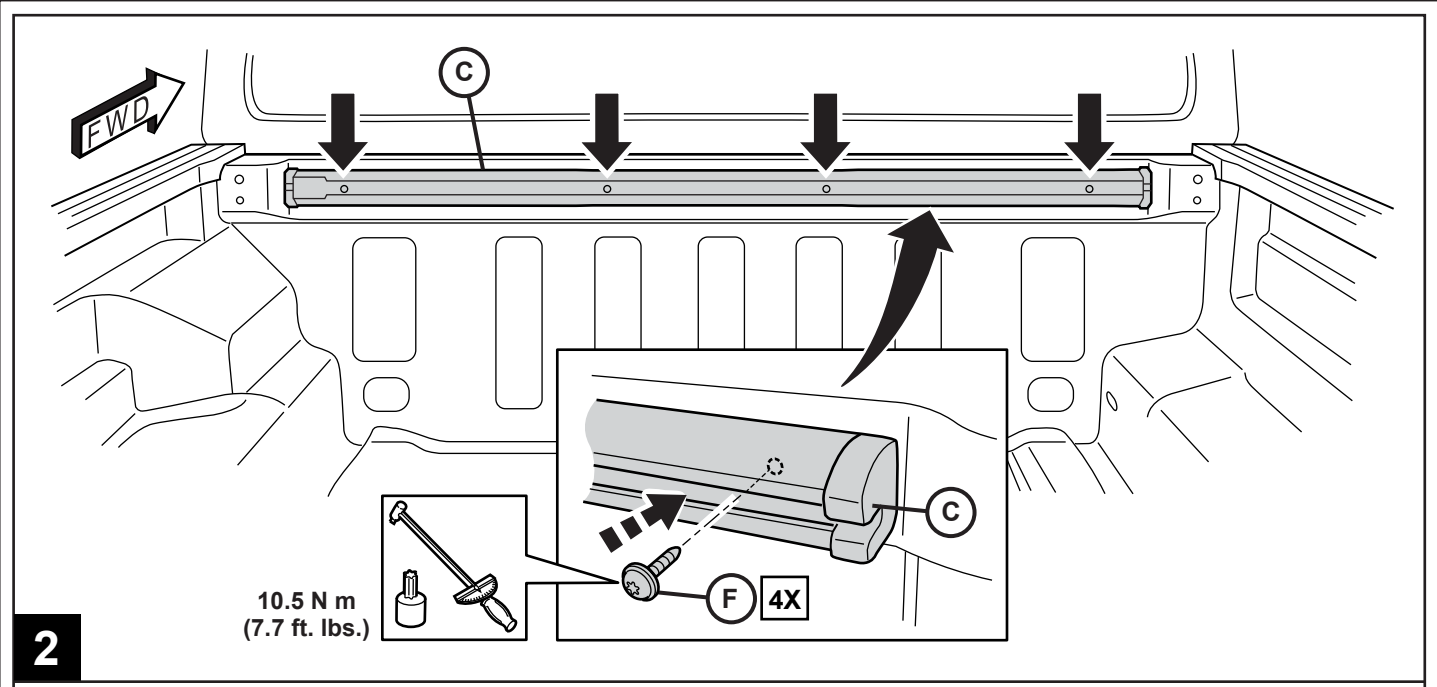
www.mopar.com

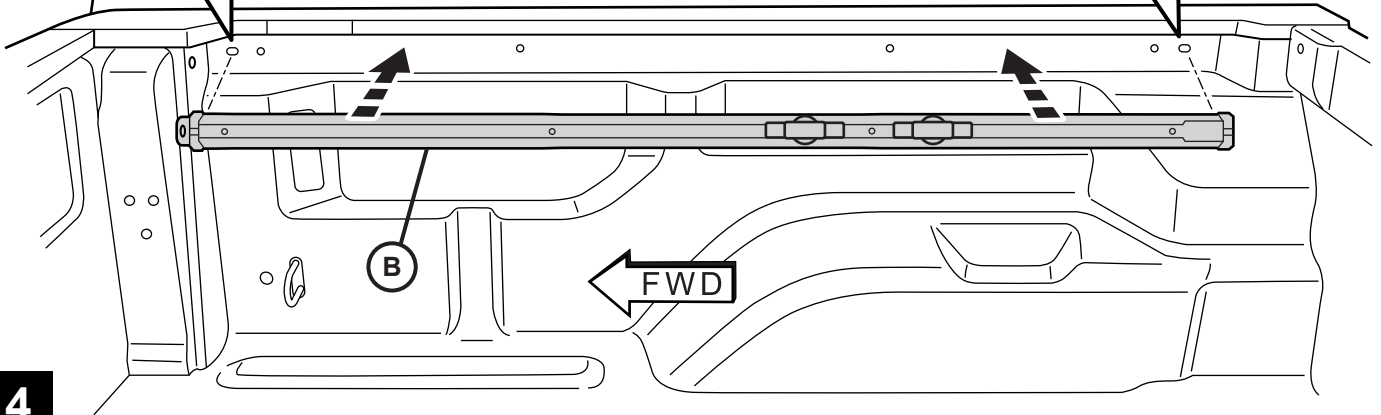
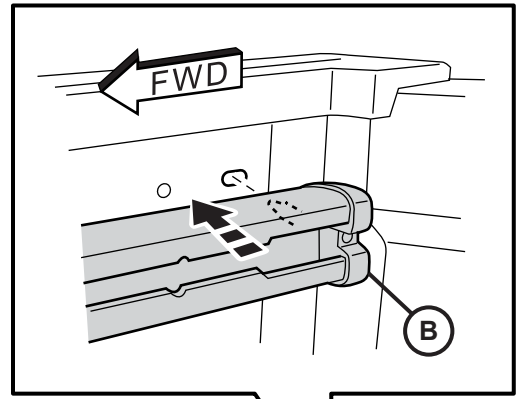
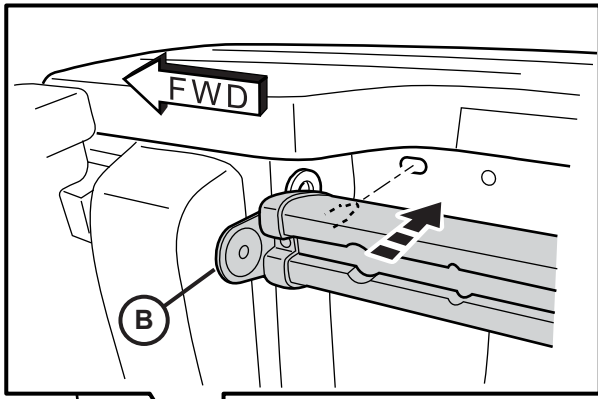


**NOTE: CLEAR OPENINGS AND THREADS OF ANY
BED LINER RESIDUE IF NECESSARY**

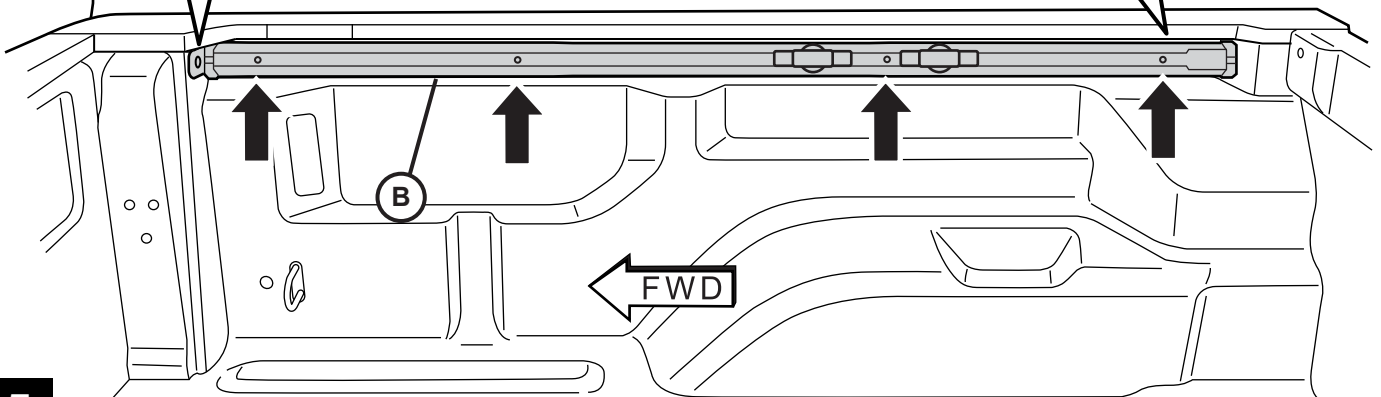
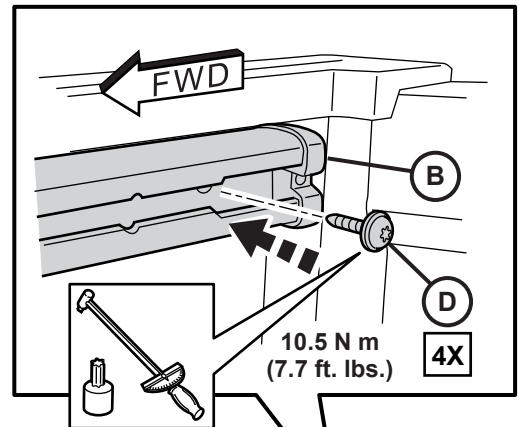
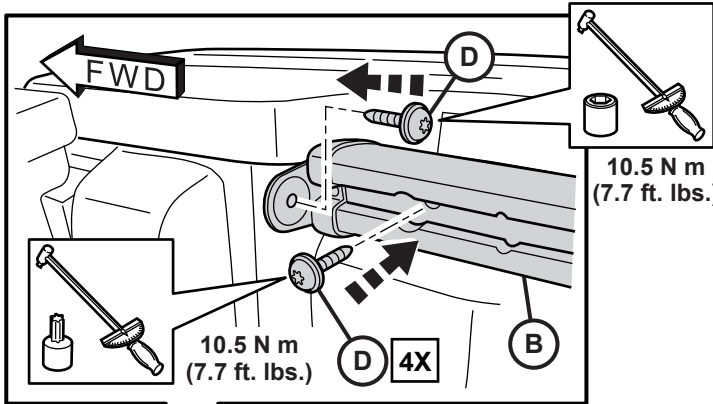


1

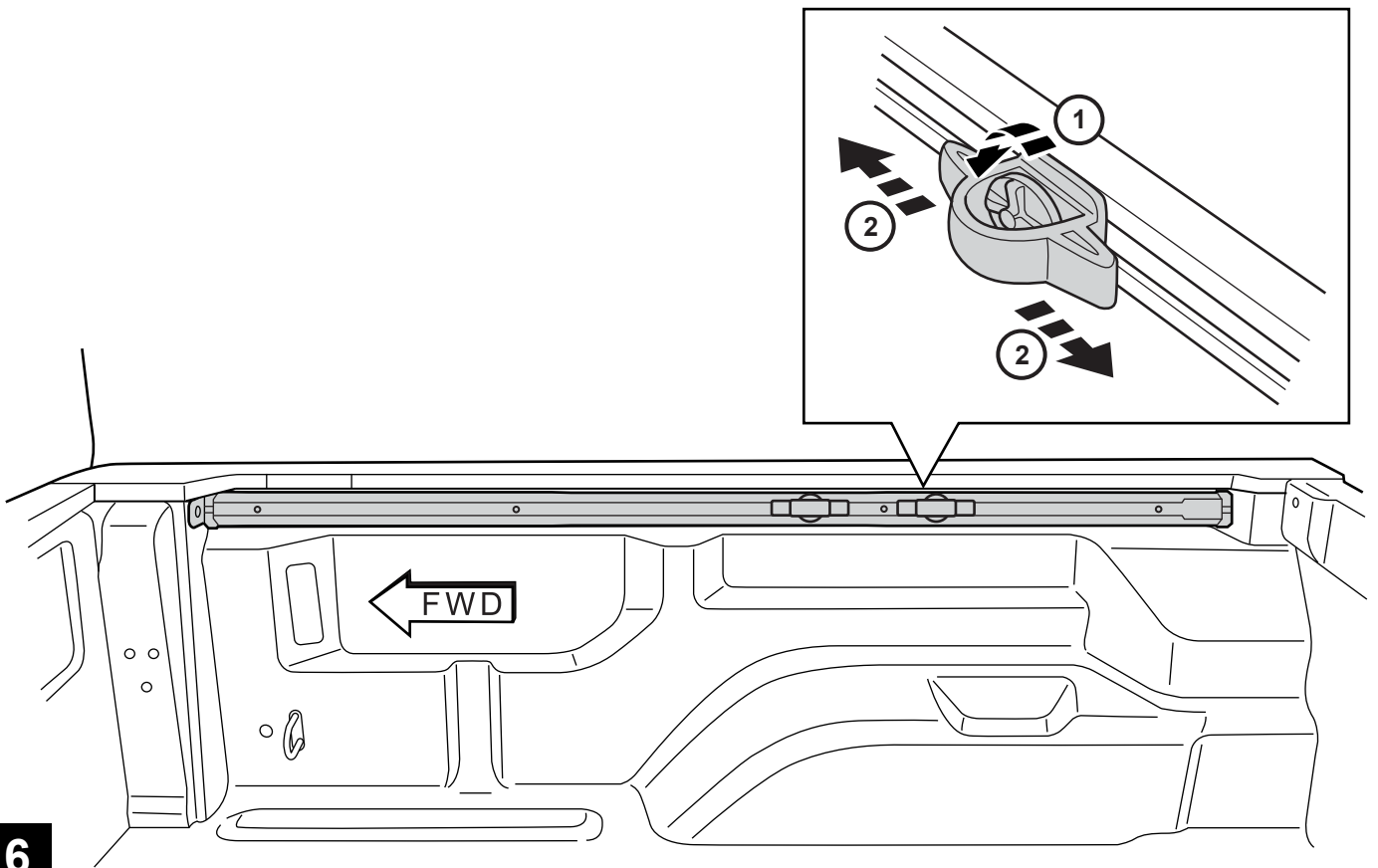




4

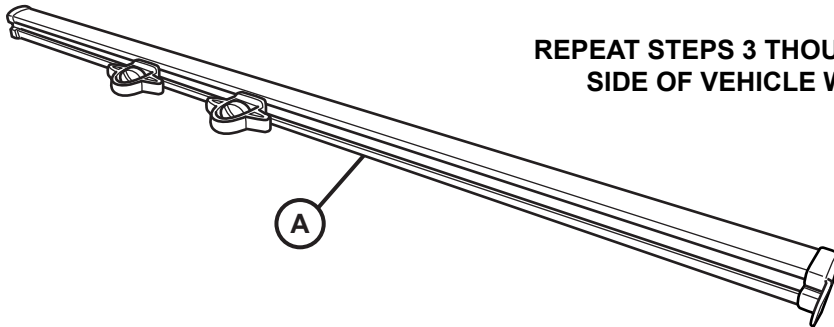


5



6

REPEAT STEPS 3 THOUGH 5 ON DRIVER SIDE OF VEHICLE WITH RAIL (A)



7