

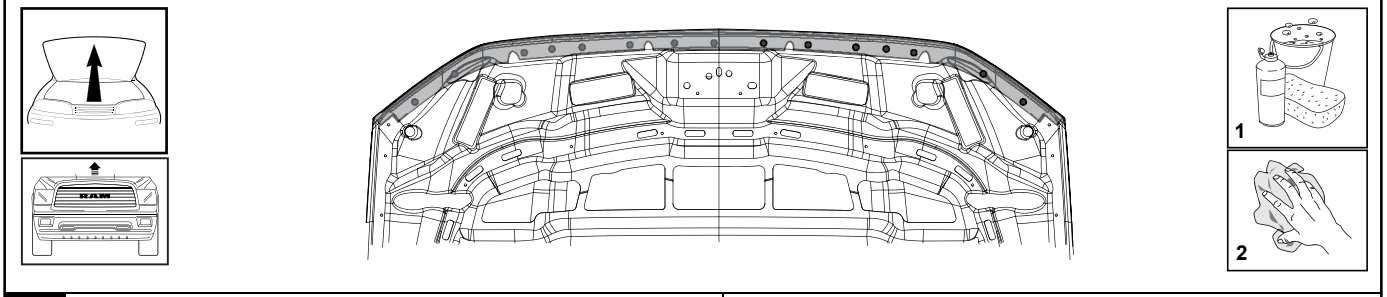
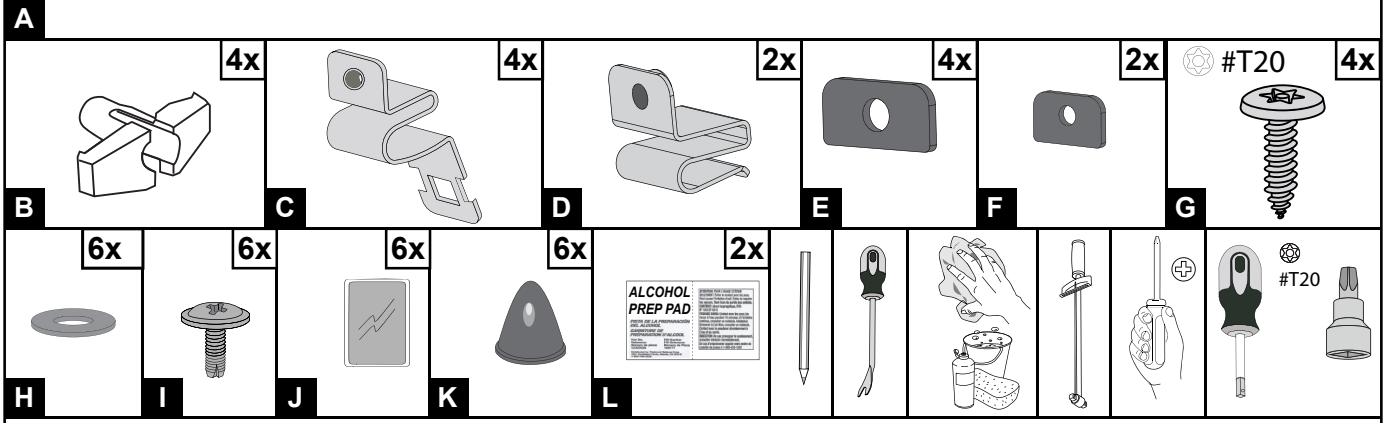
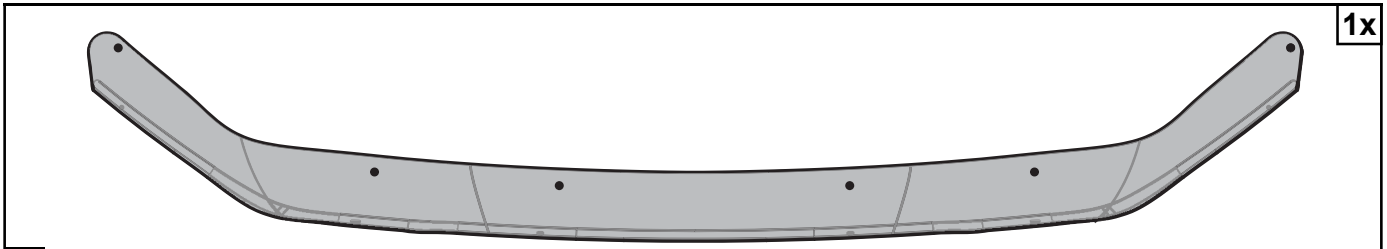


RAM HEAVY DUTY


Front Air Deflector

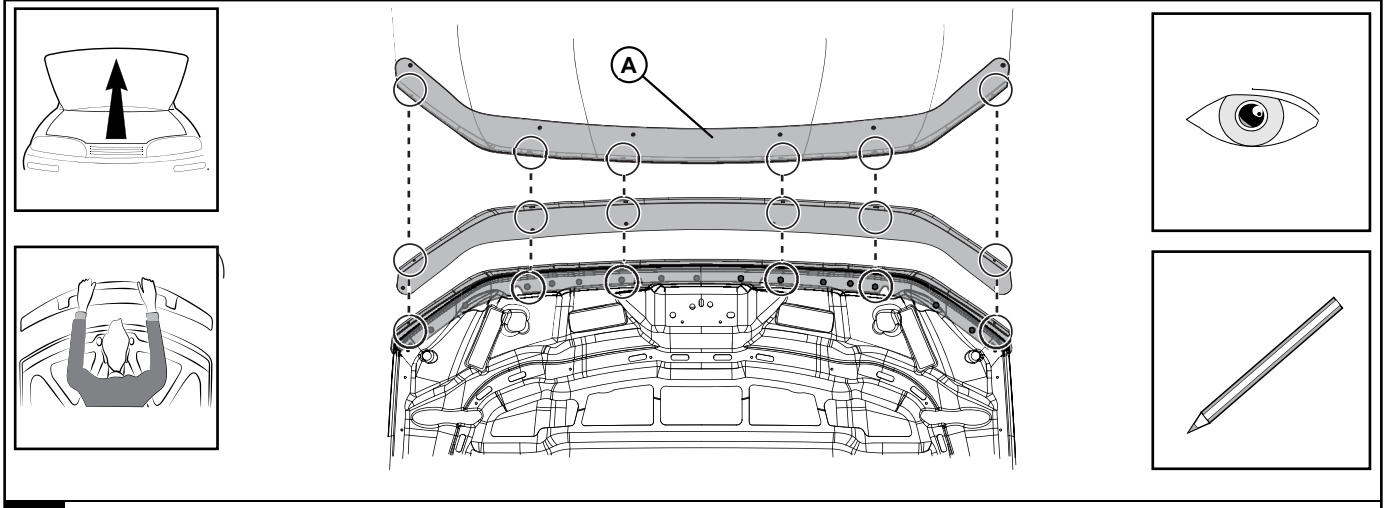
Défecteur d' air avant

Deflector de aire delantero

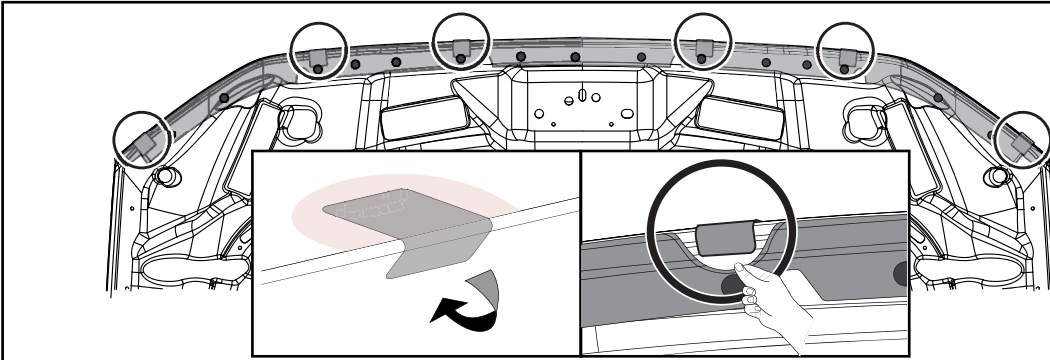


1 1. Open the hood.
2 Thoroughly clean the hood and surrounding areas
3. Wipe away any residue and allow to completely dry

 Make sure all surfaces are completely dry before trial fitting the Hood Deflector.



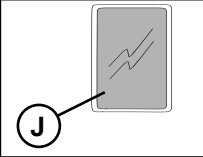
2 1. Trial fit the Hood Deflector centrally onto the hood, align the front edge of the Hood Deflector with the hood lip.
2. Note where the two outer holes on the part align with the lip of the hood and note where the four centre slots correspond to the scrivetts on the underside of the hood
3. Note where the six bumpon location stickers correspond to the top of the hood.



**ALCOHOL
PREP PAD**

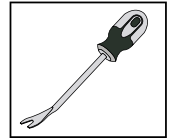
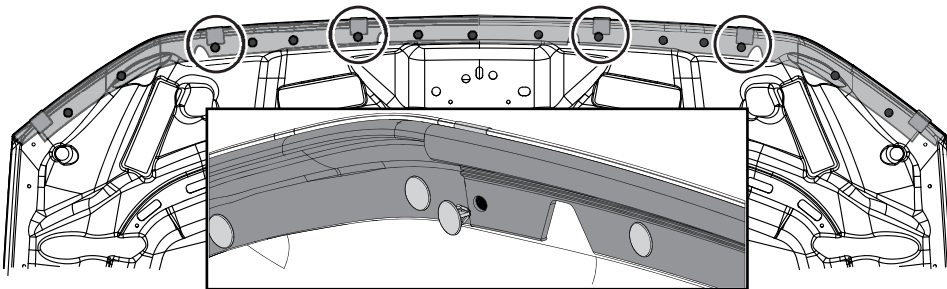
PREPARE FOR AN INSPECTION
AND RECORD YOUR FINDINGS
WITH THE INSPECTION
PREPARATION PAD.
The pad is designed to clean the surface of the hood and the windshield area.
It is made of a special material that is safe for use on all surfaces.
It is designed to be used on all surfaces.
It is designed to be used on all surfaces.
It is designed to be used on all surfaces.

(L)

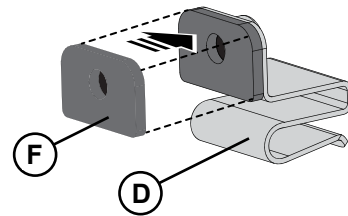
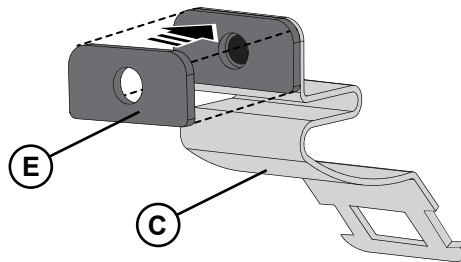
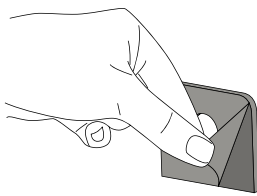


(J)

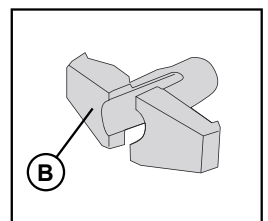
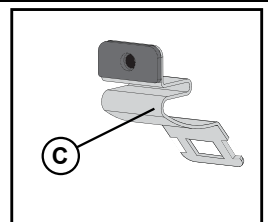
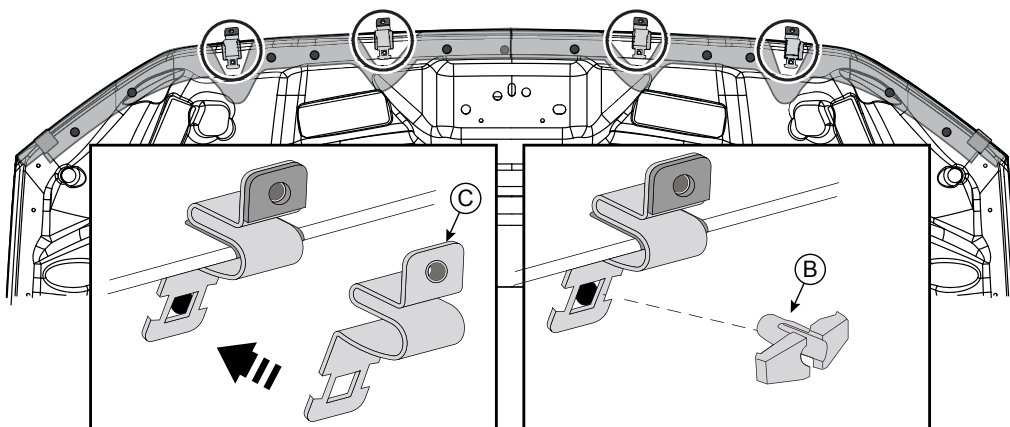
- 3** 1. Clean the previously marked positions with the alcohol wipe provided. Allow to dry.
At these six locations fold hood seal down and adhere the abrasion resistant tapes over the lip. Apply the tape so that approximately two thirds of each strip is on the front surface of the fascia and one third folds over the inside edge.



- 4** 1. At the previously noted scrivet locations carefully remove the scrivetts attaching the hood seal and discard.



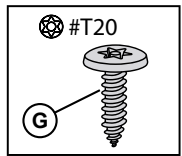
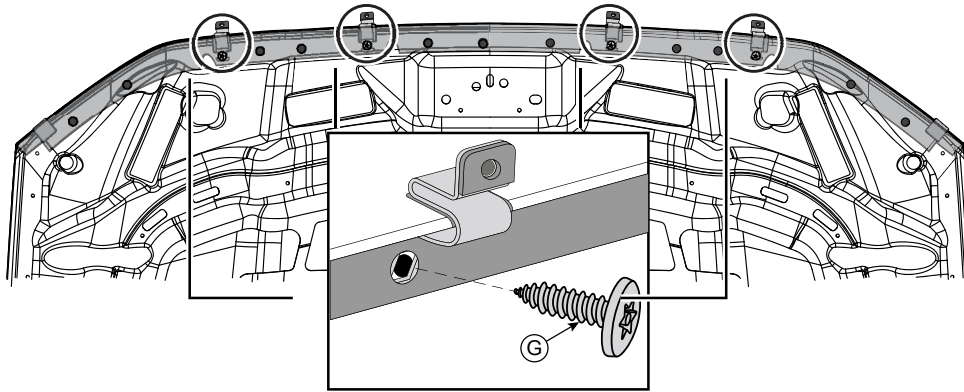
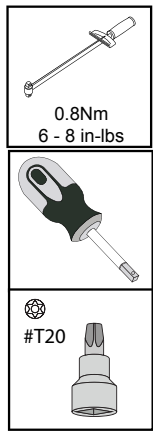
- 5** 1. Peel back the adhesive backing from all foam pads and adhere the larger sized pads to the the large fixed clips and the smaller sized pads to the smaller push-on clips.



- 6** 1. Gently pull back the rubber seal at each fixed clip location and slide a fixed clip over the hood lip and insert a plug through each fixed clip and into the corresponding hole on the underside of the hood.

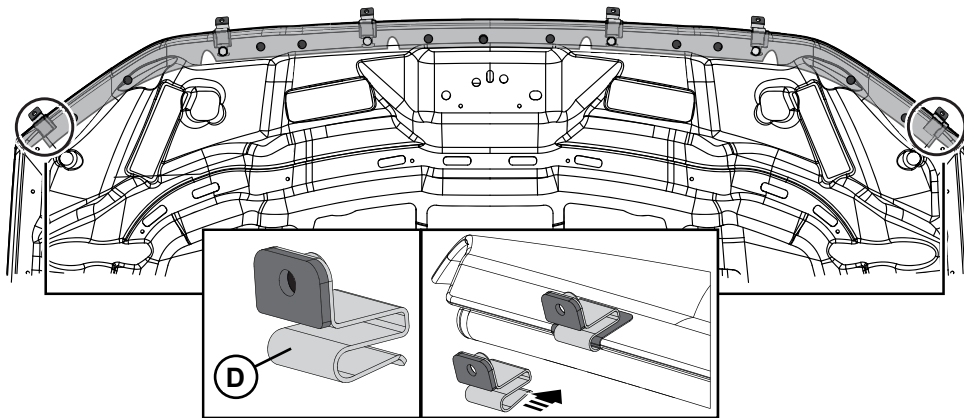


Ensure the clips rest over the abrasive resistant tape and do not come in contact with the hood. Failure to do this may result in permanent damage.



7

1. Return the seal back to its original position and secure the clip through the seal with the self tapping screw.

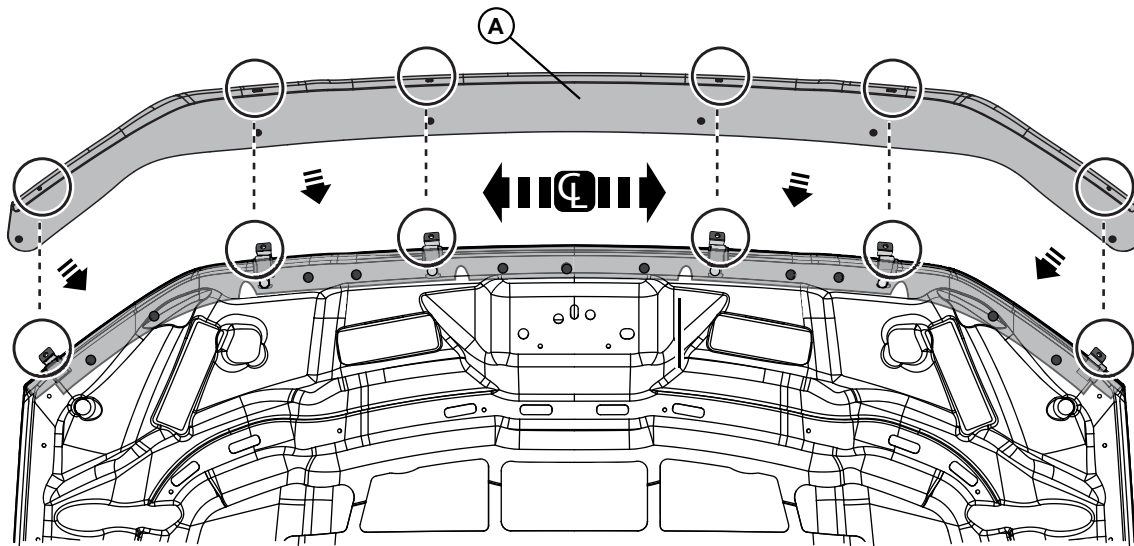


8

1. At the two outer clip locations, gently pull down the seal and slide a push-on clip onto the lip of the hood underneath the seal.

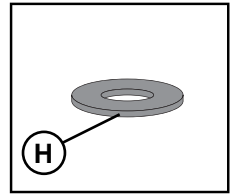
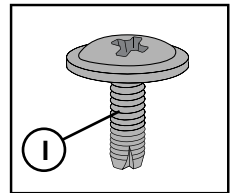
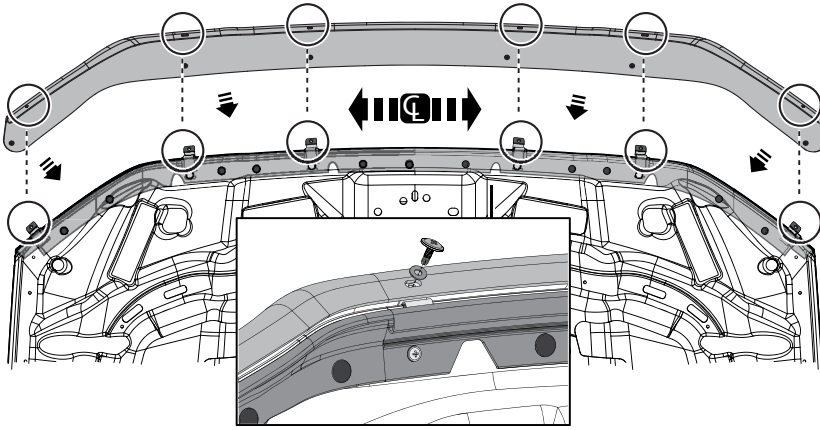


Ensure the clips rest over the abrasive resistant tape and do not come in contact with the hood. Failure to do this may result in permanent damage.



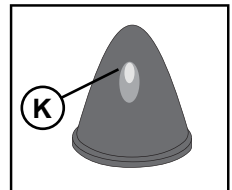
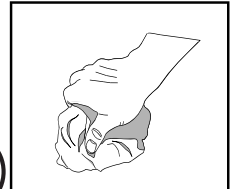
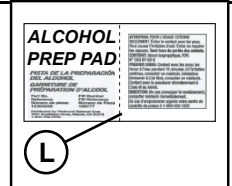
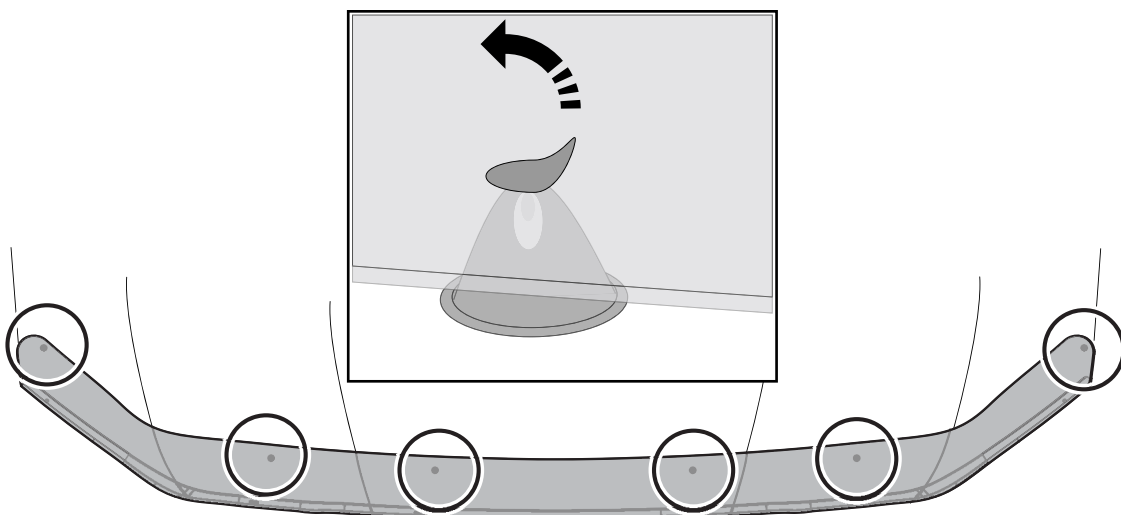
9

1. Re-fit the Hood Deflector, centralize and align slots and holes in the part with the threaded holes in the clips.



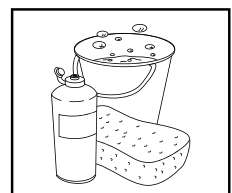
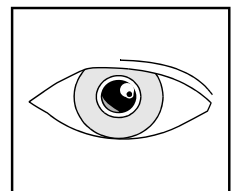
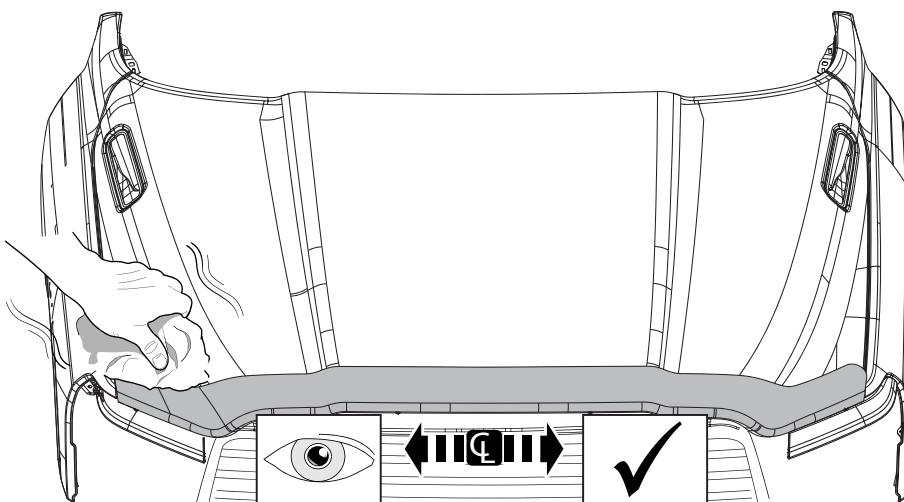
10

1. Loosely fasten the Hood Deflector to the metal clips using the screws and washers provided. Check the alignment of the Hood Deflector on the vehicle and then tighten all screws.



11

1. Clean and dry the hood underneath each bumpon location sticker.
2. Peel the adhesive backing from the bumpons and adhere a bumpon to the hood directly underneath each bumpon location sticker, peel off and discard the bumpon location stickers when complete.



12

1. Re-check and ensure that the Hood Deflector is centered on the hood.
2. Wash the Hood Deflector and surrounding areas.