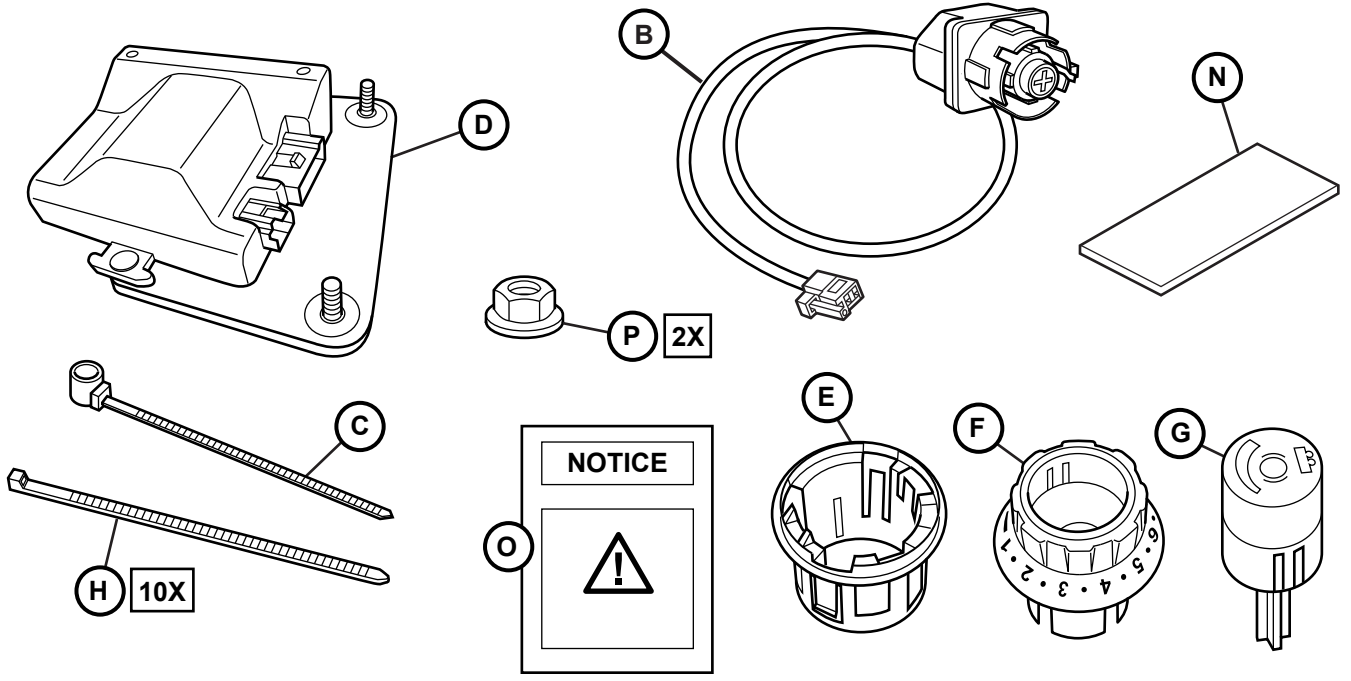




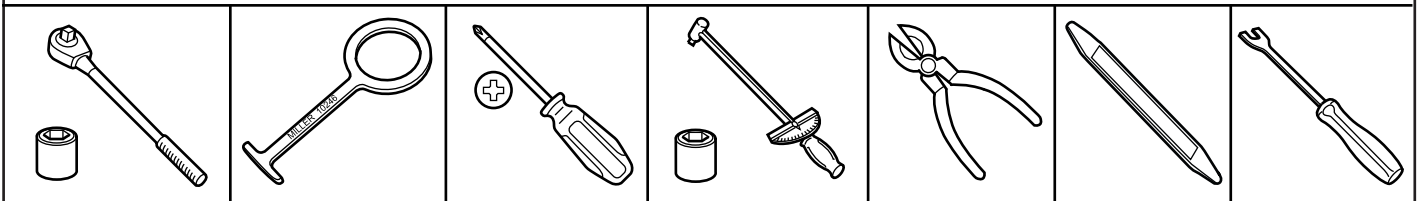
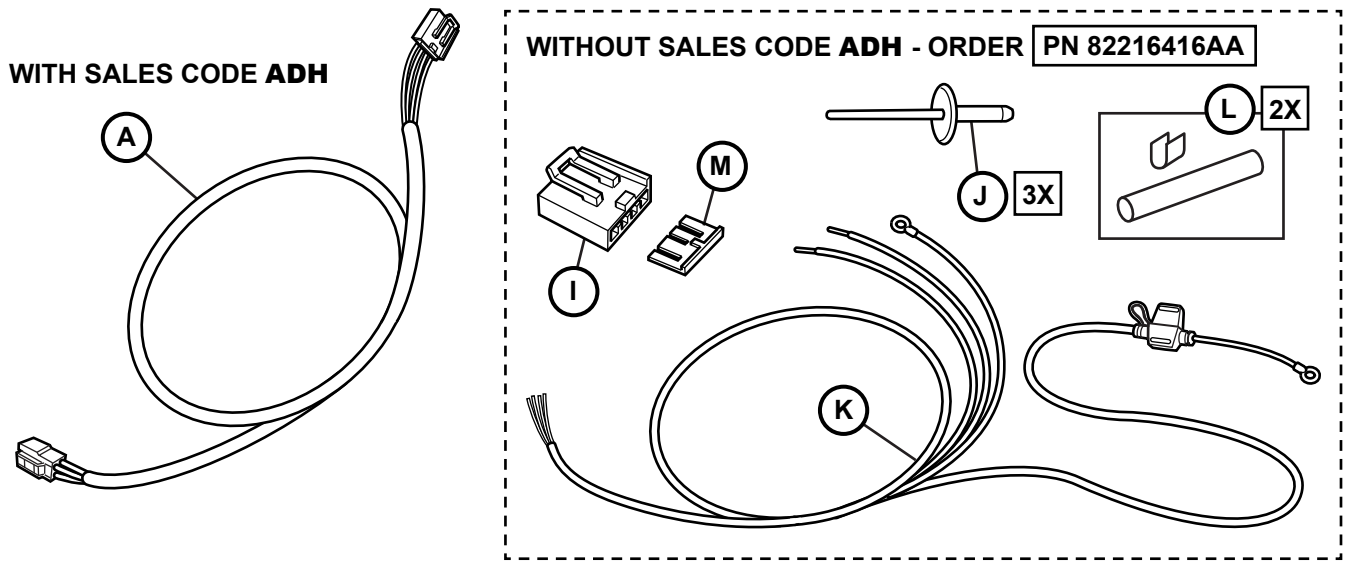
# TRAILER BRAKE JEEP WRANGLER/GLADIATOR

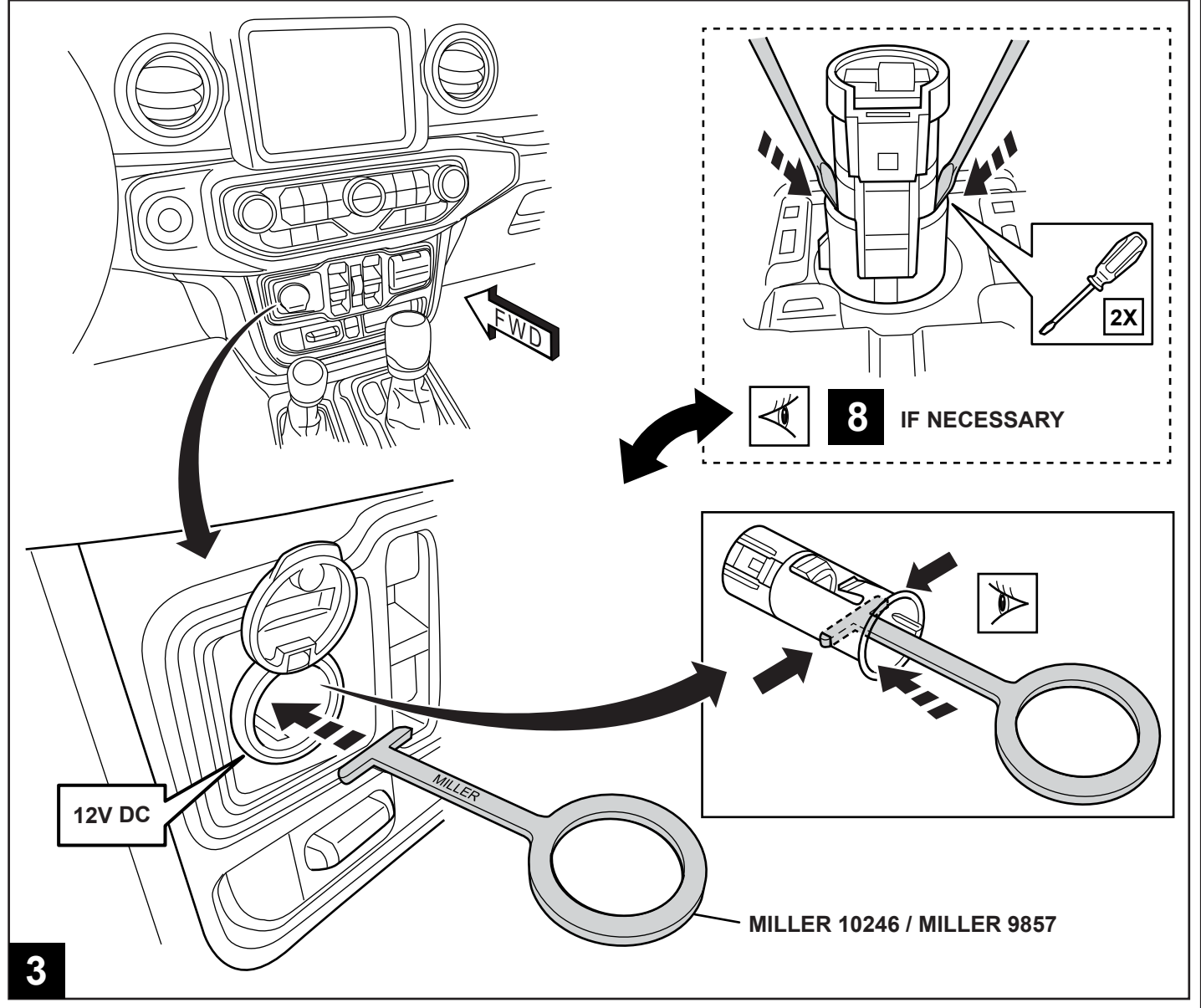
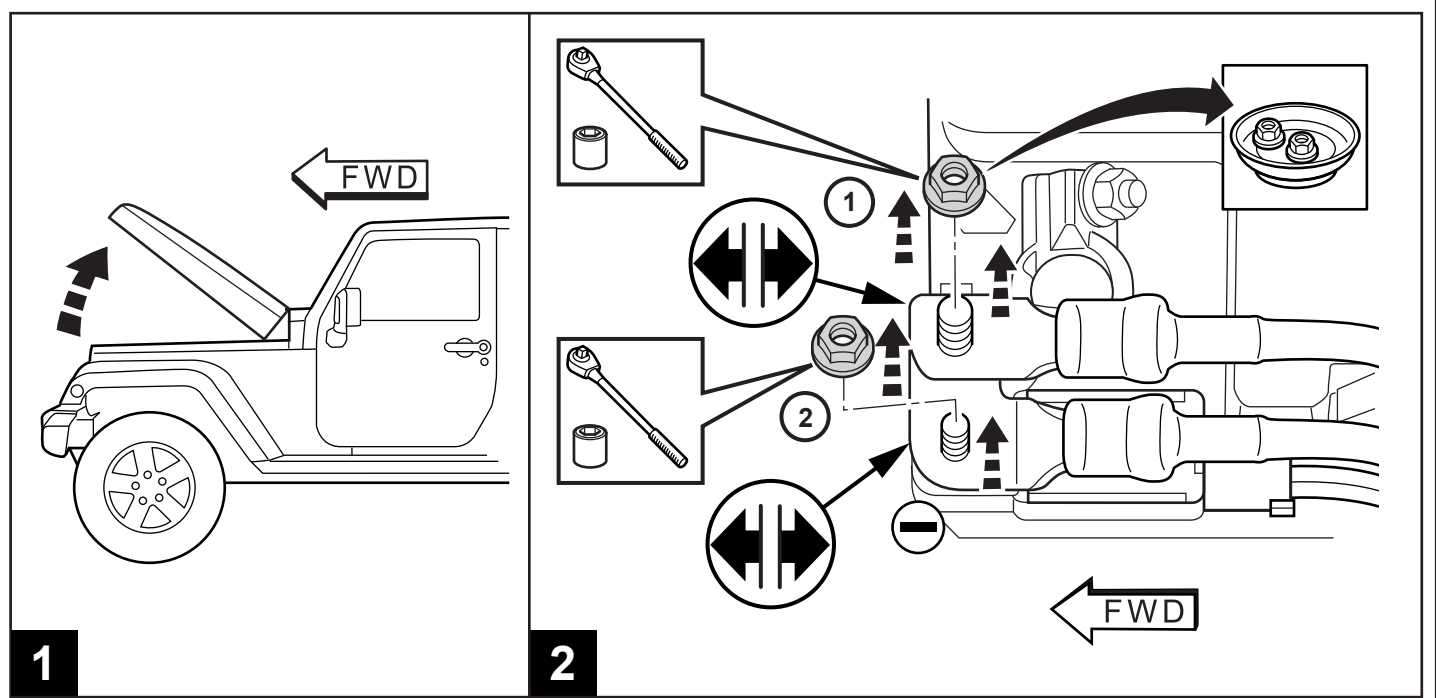
www.mopar.com

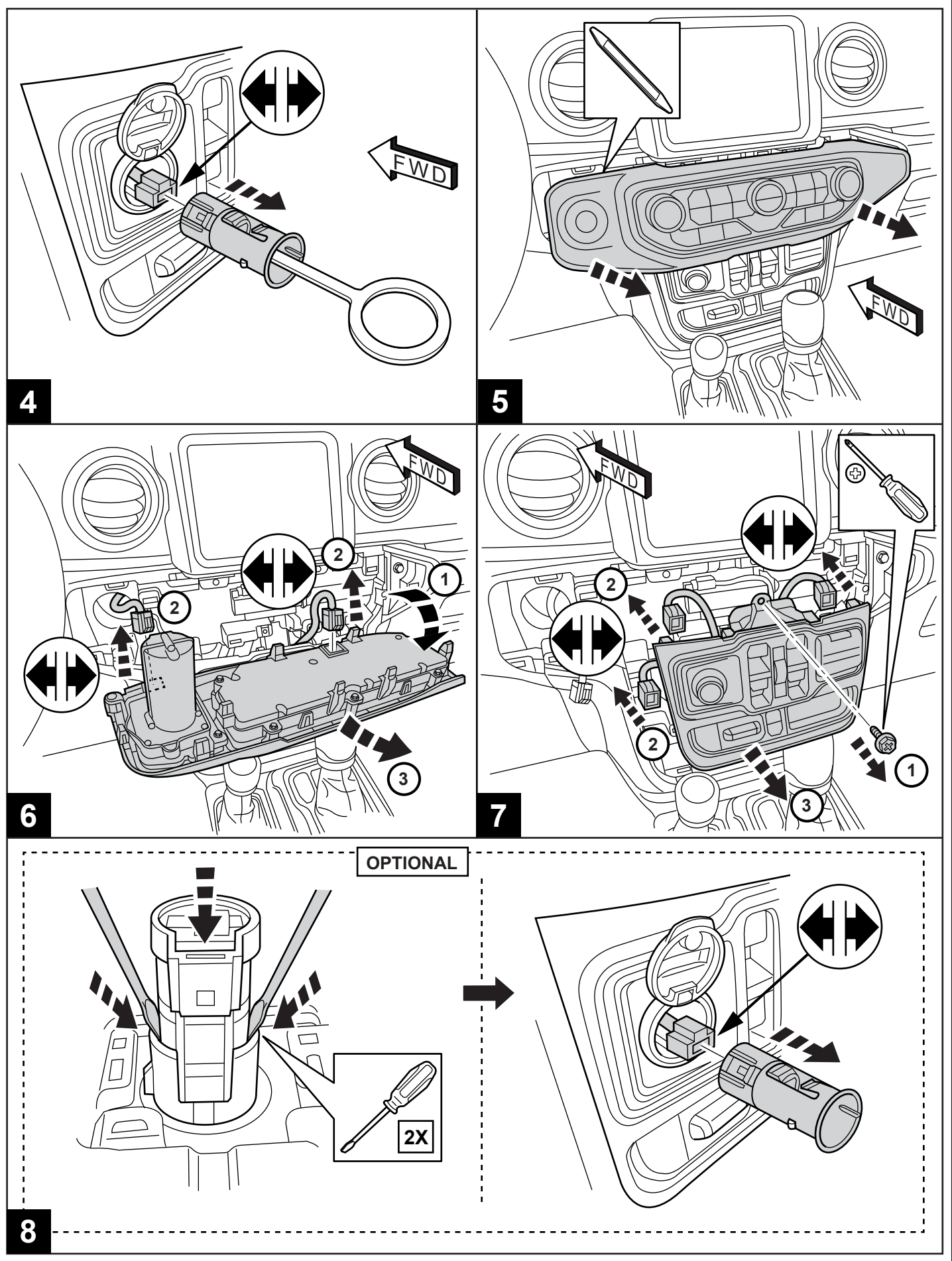


WITH SALES CODE ADH

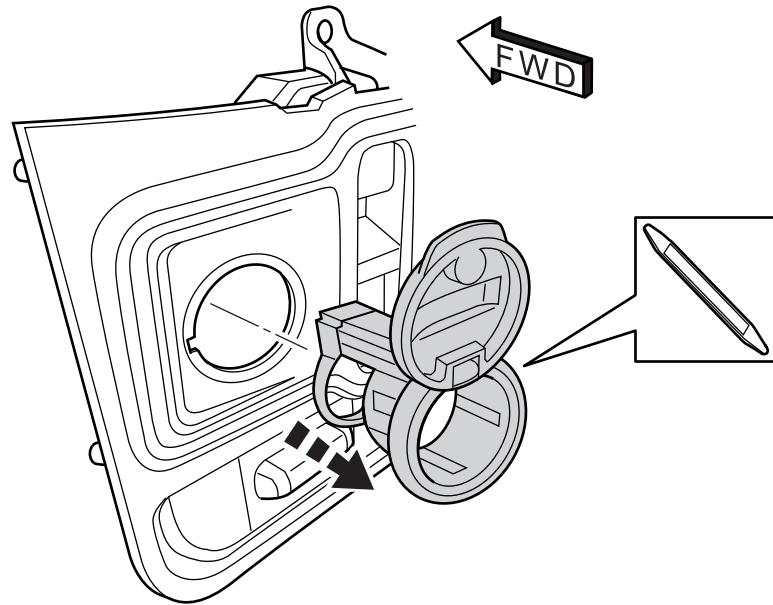
WITHOUT SALES CODE ADH - ORDER PN 82216416AA



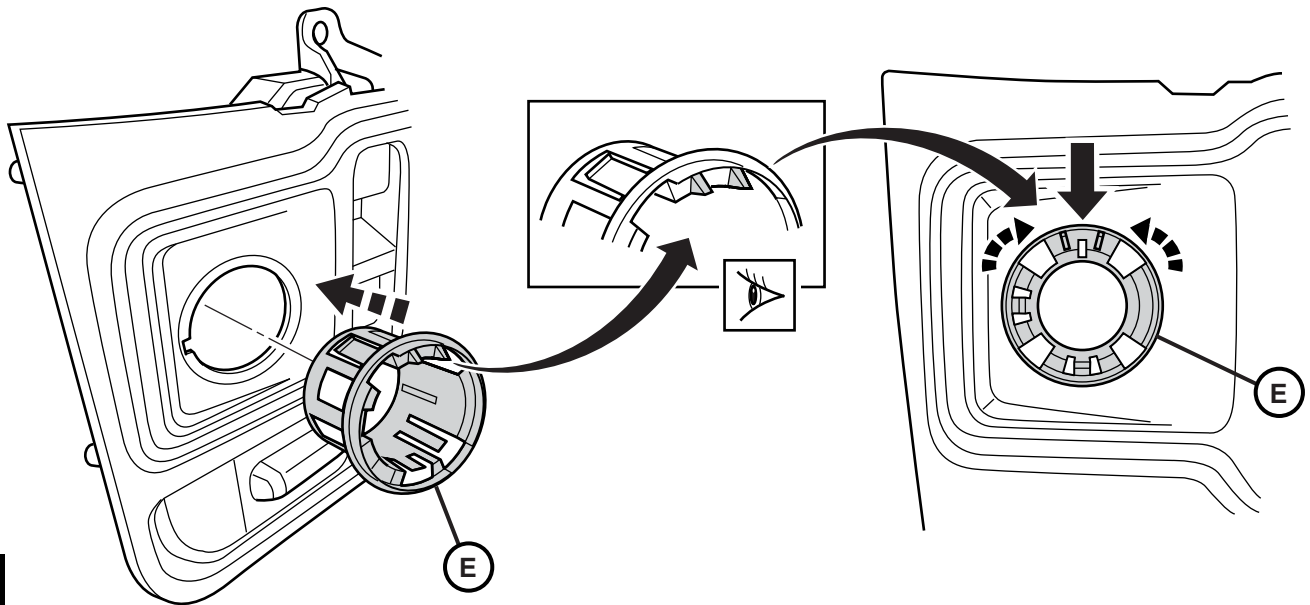




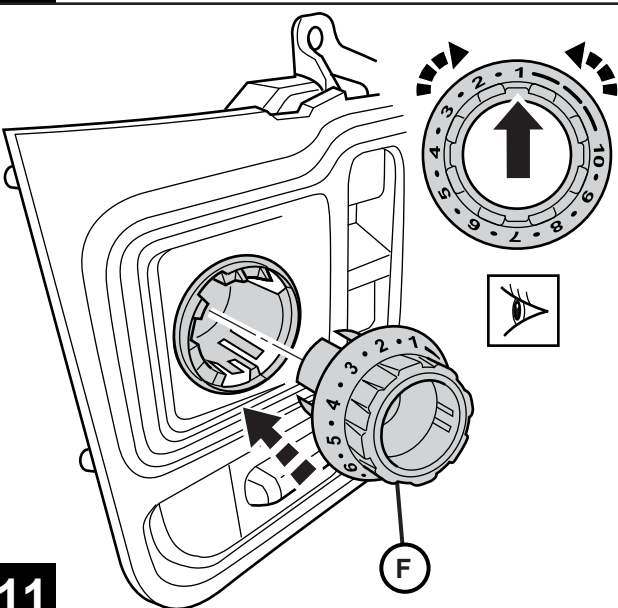
9



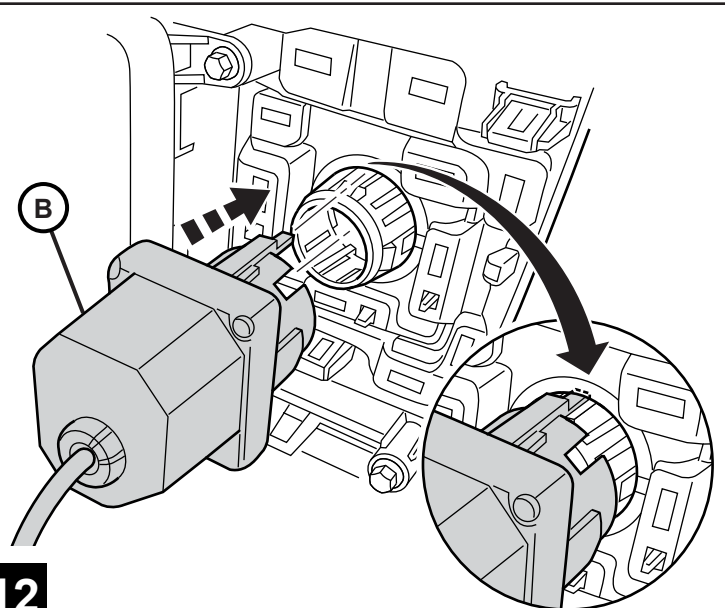
10

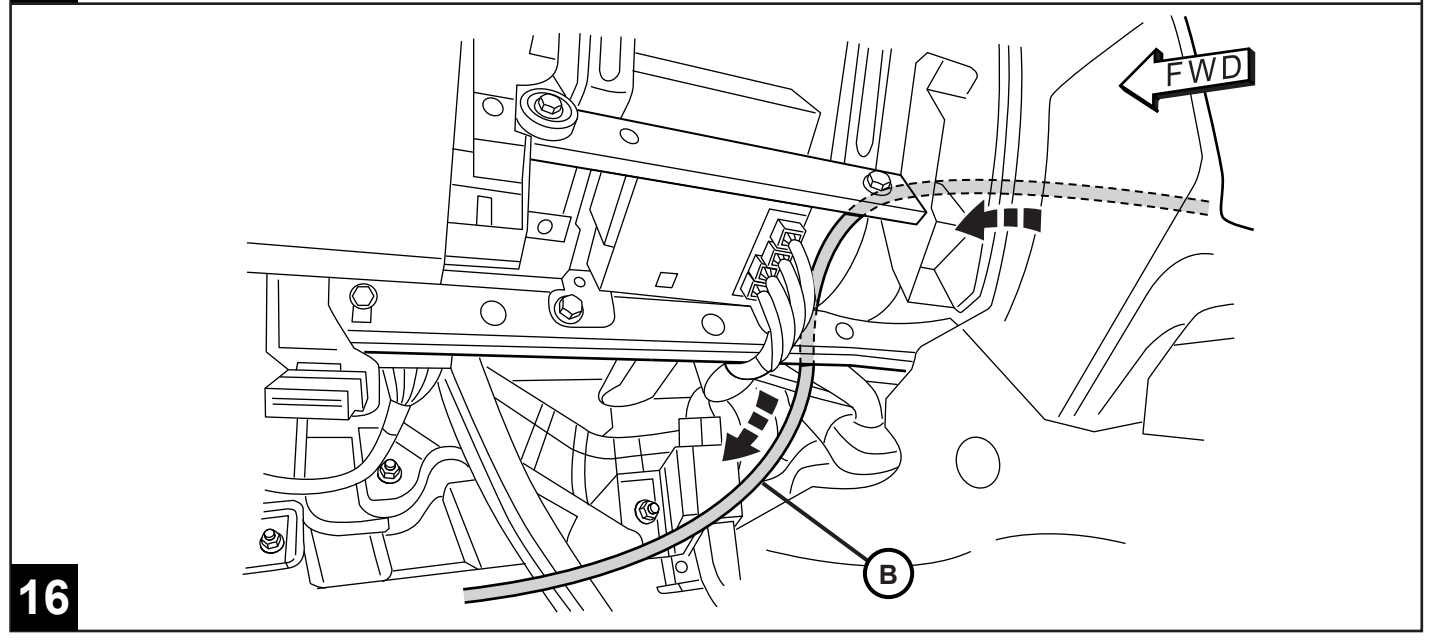
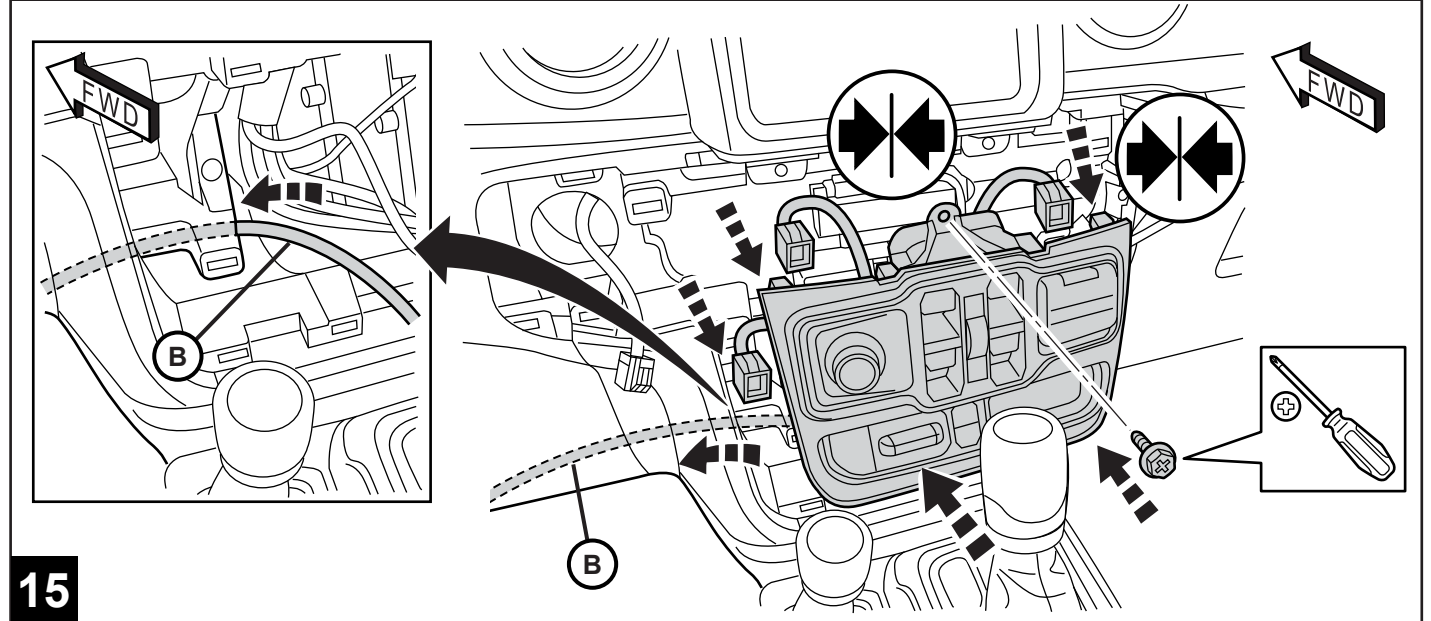
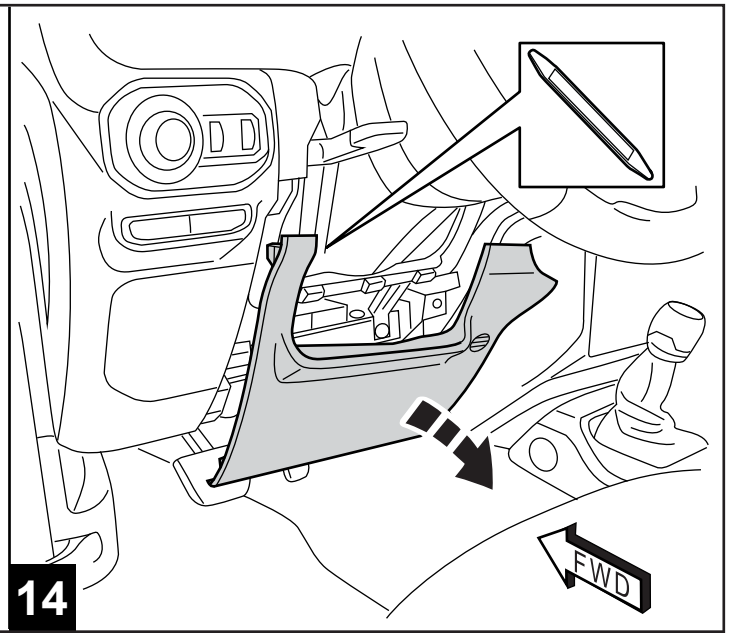
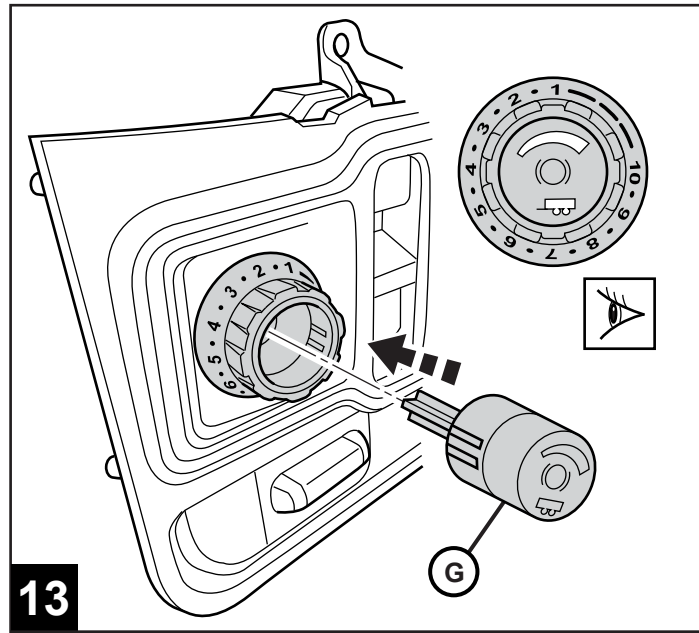


11



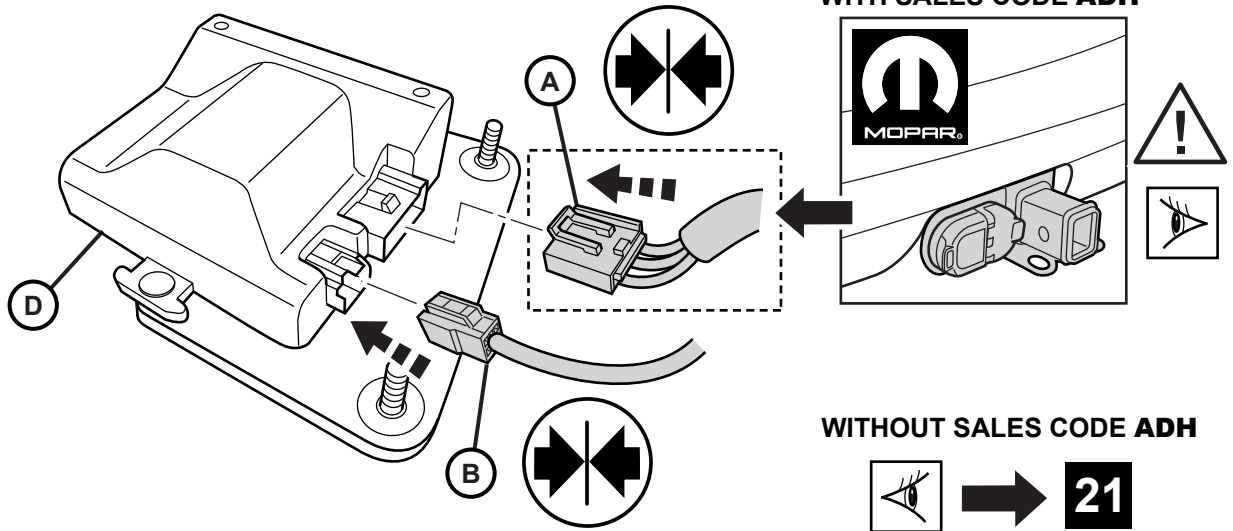
12



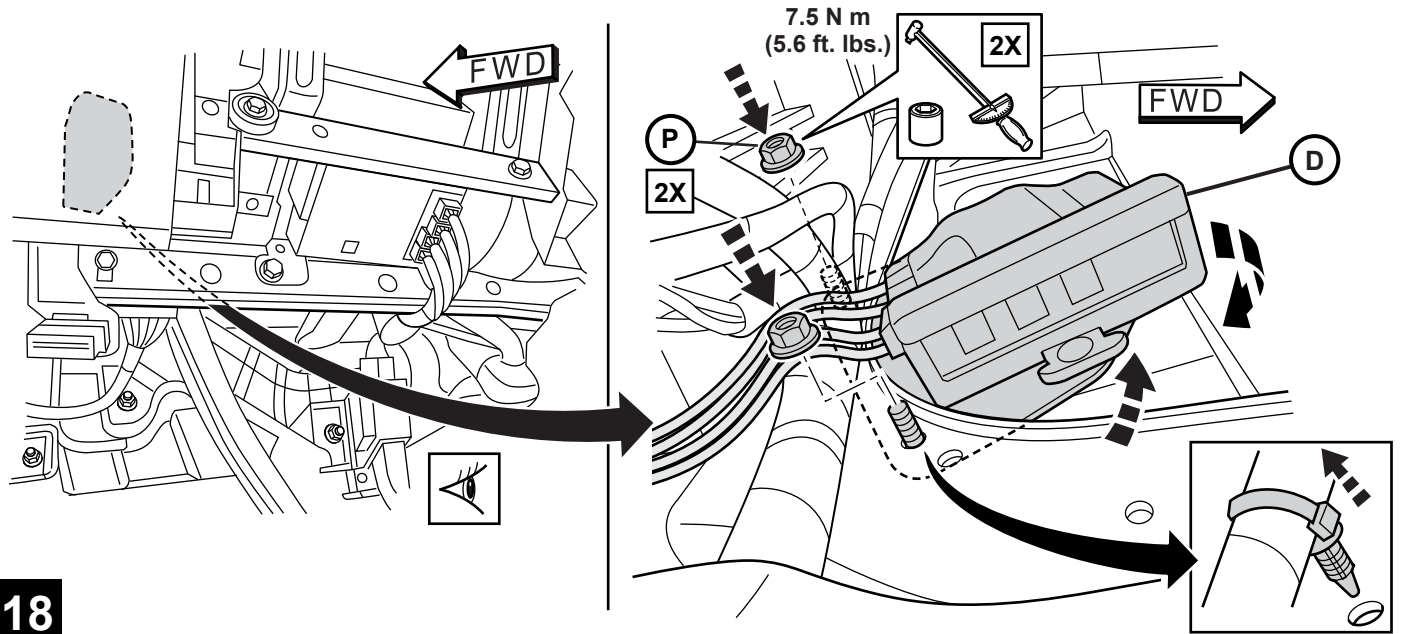




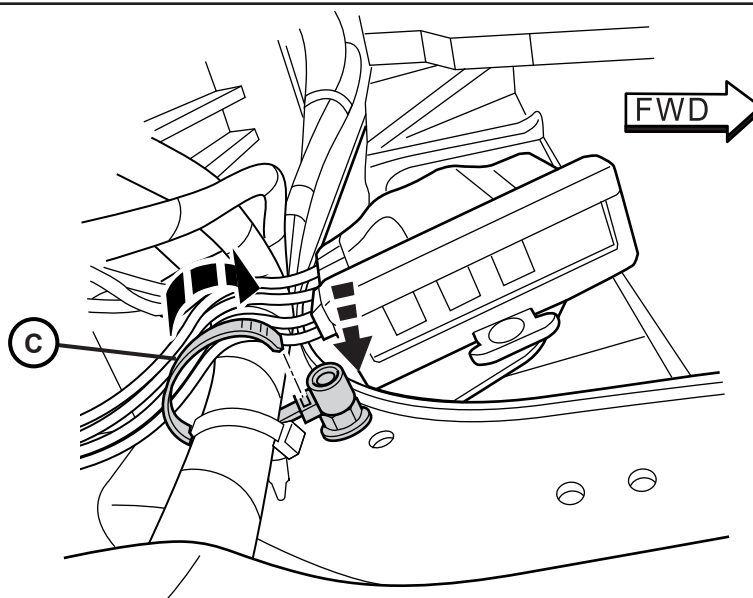
WITH SALES CODE ADH



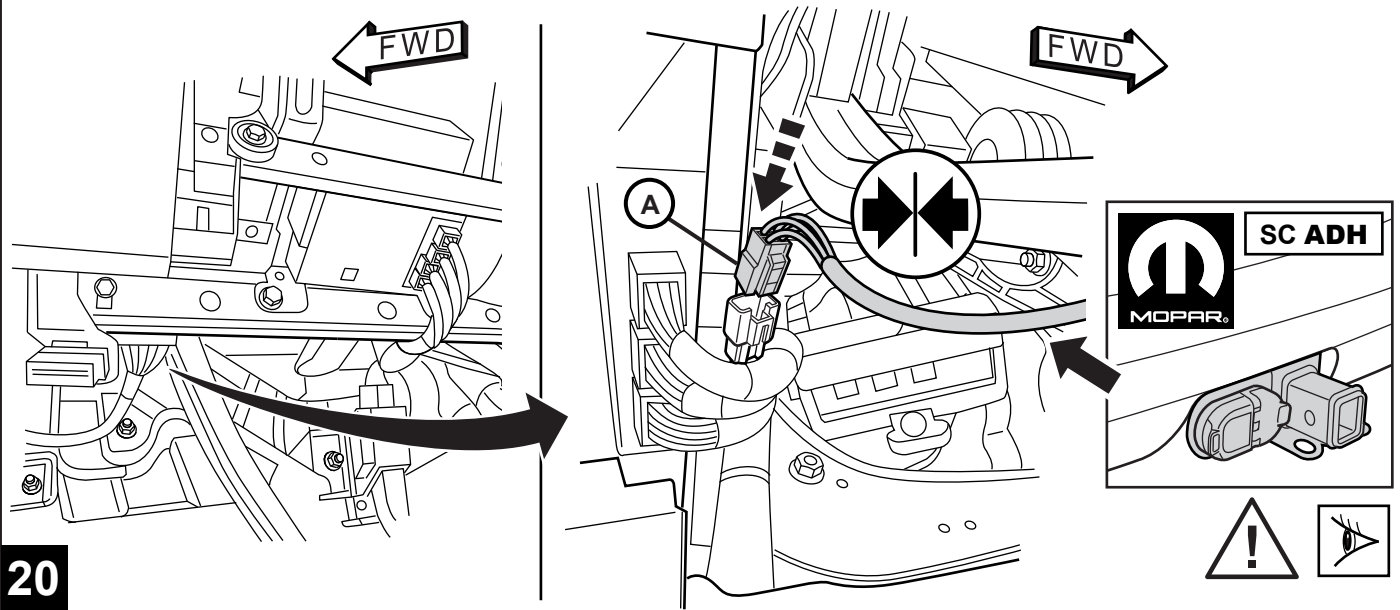
17



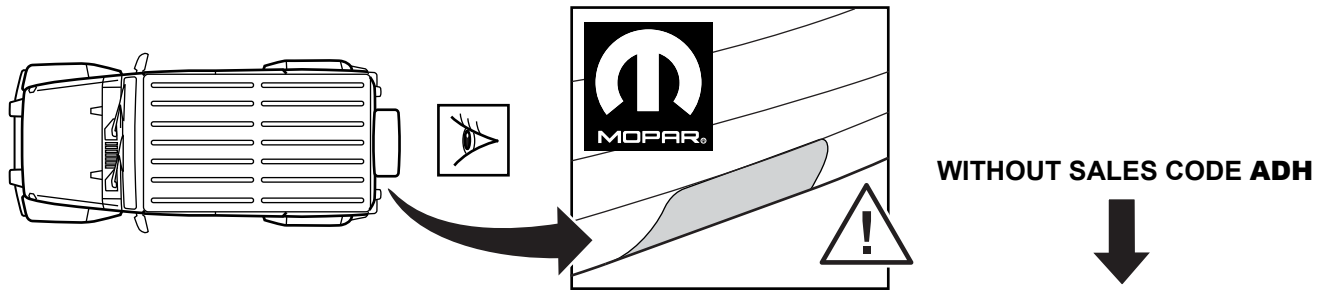
18



19

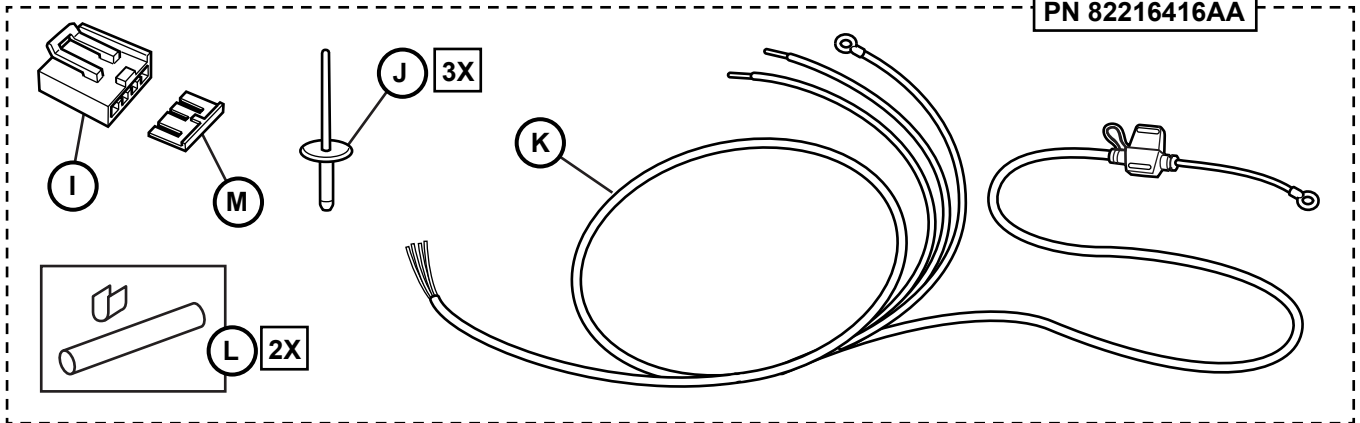


20

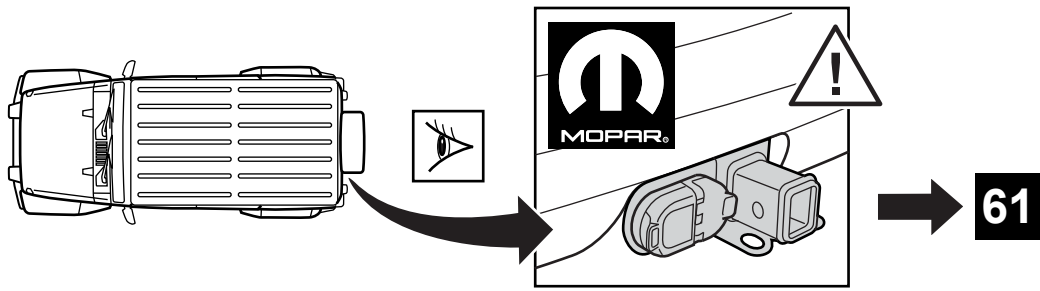


WITHOUT SALES CODE ADH

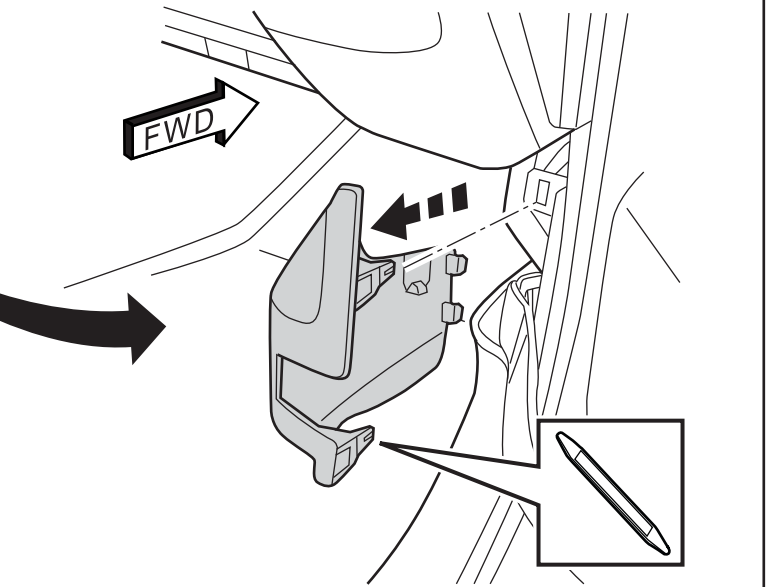
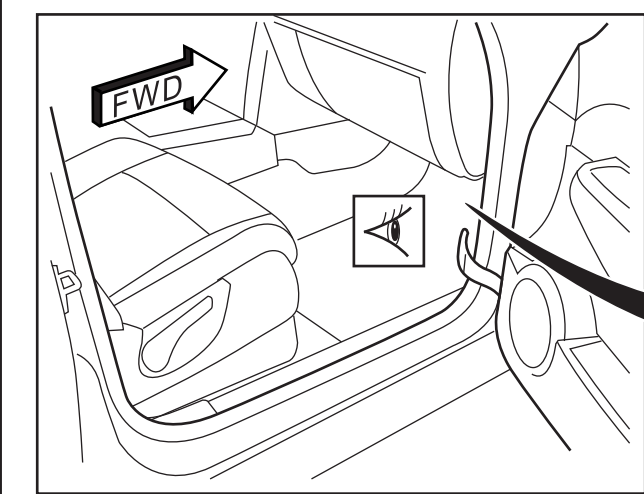
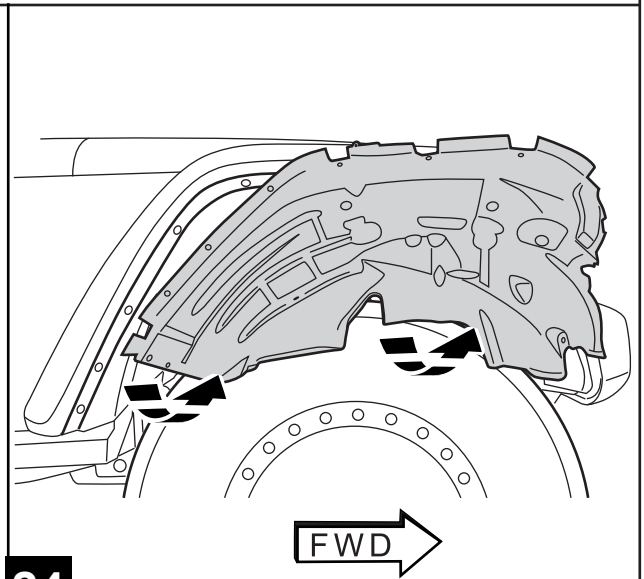
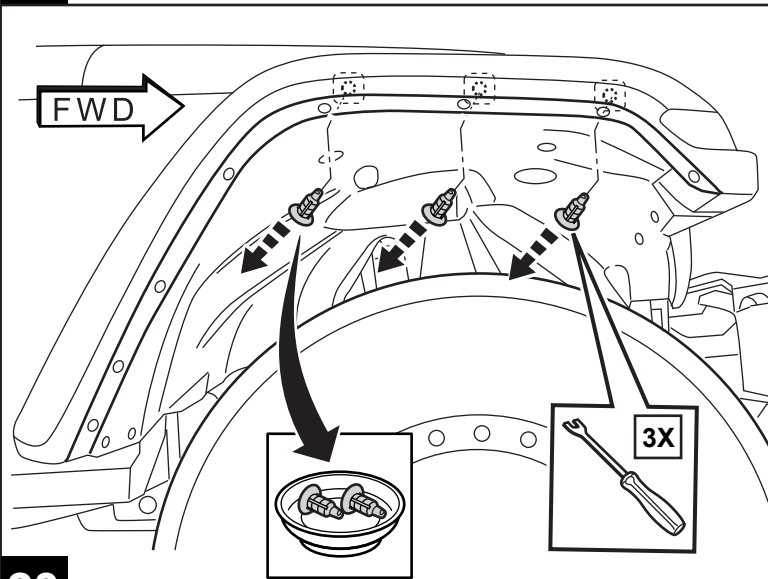
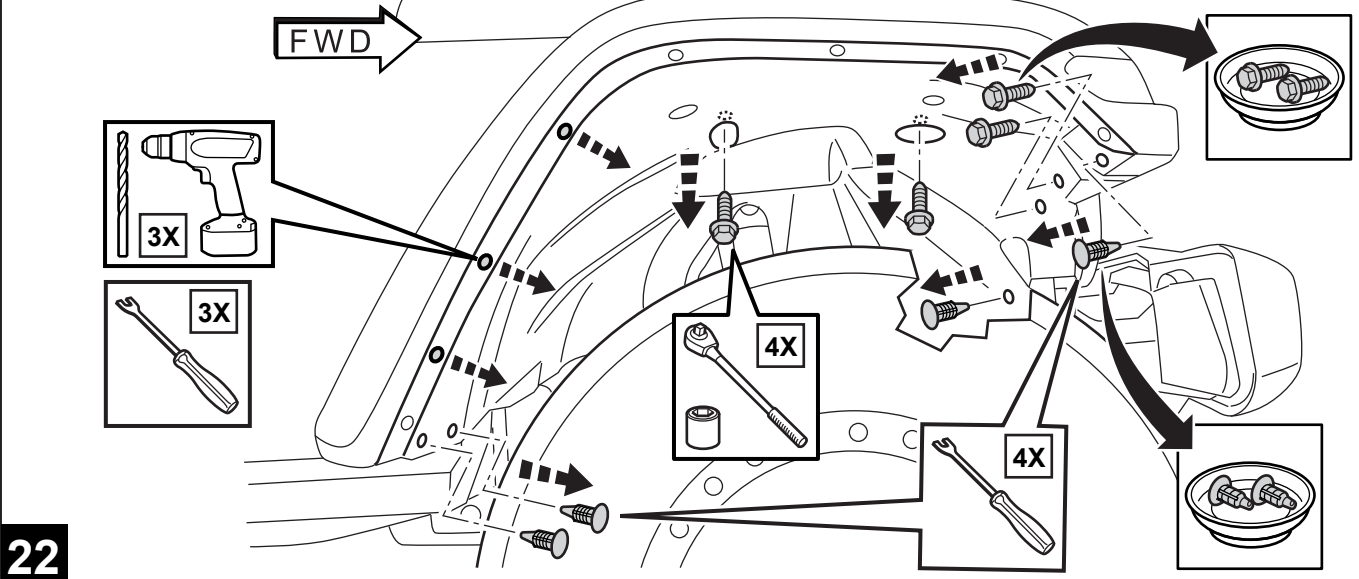
PN 82216416AA



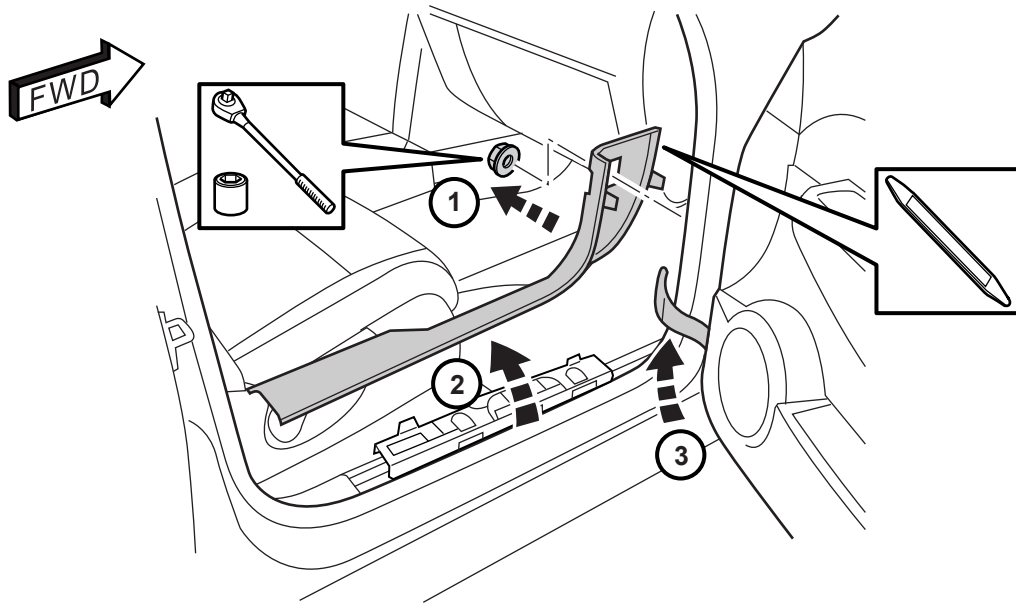
21 → 60



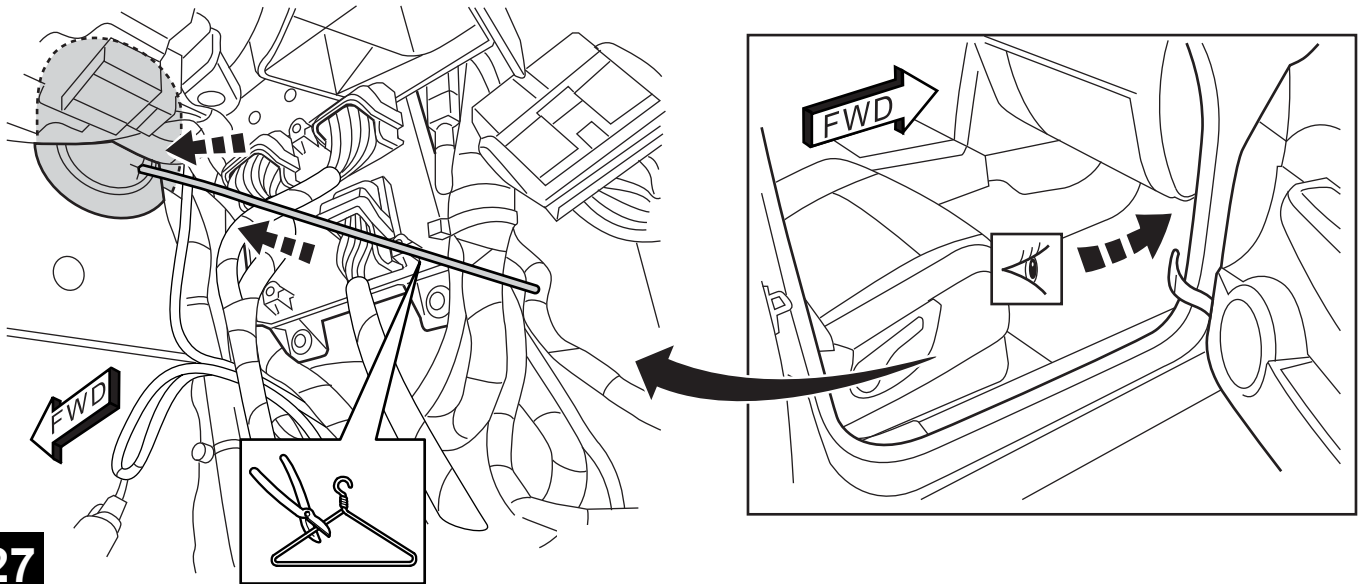
21



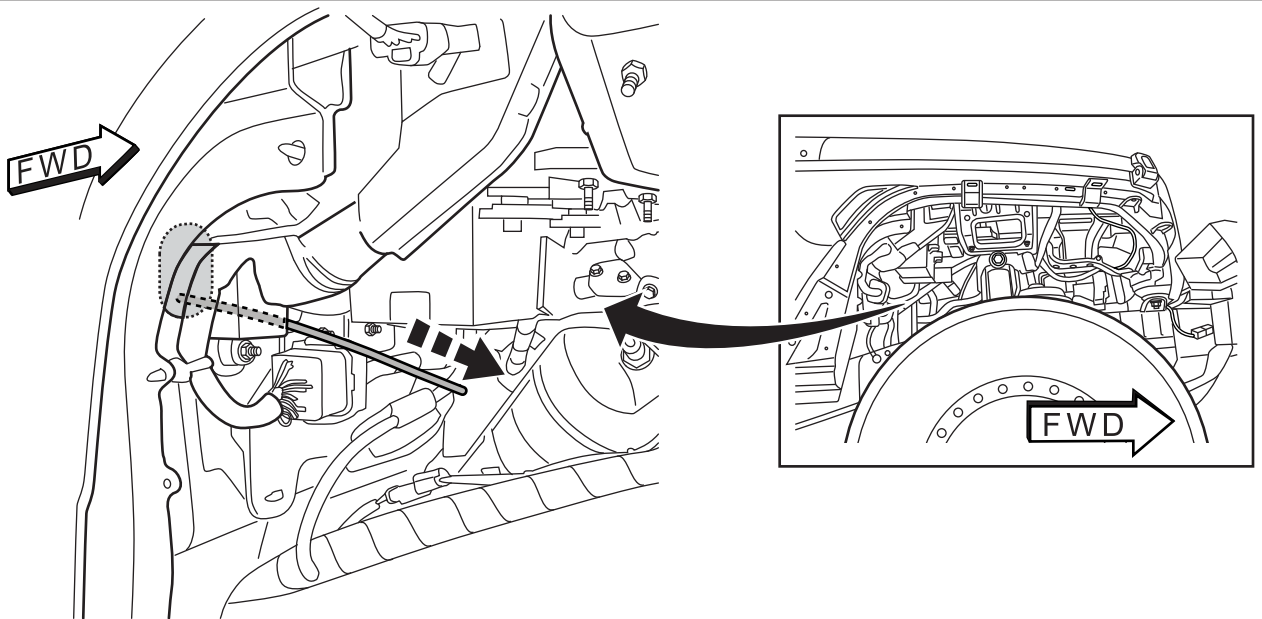




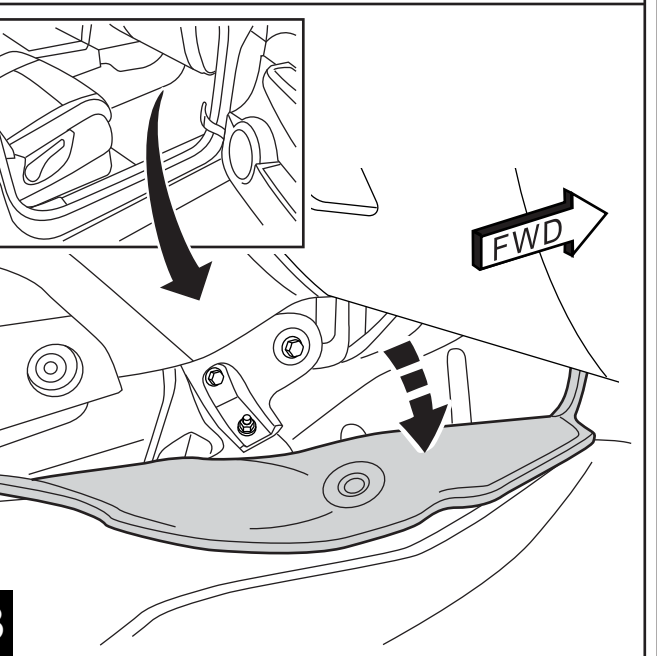
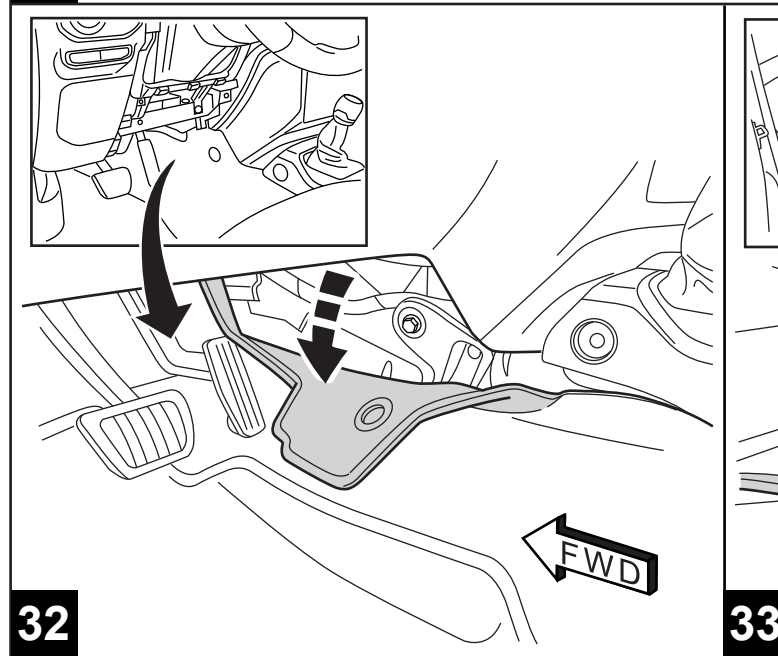
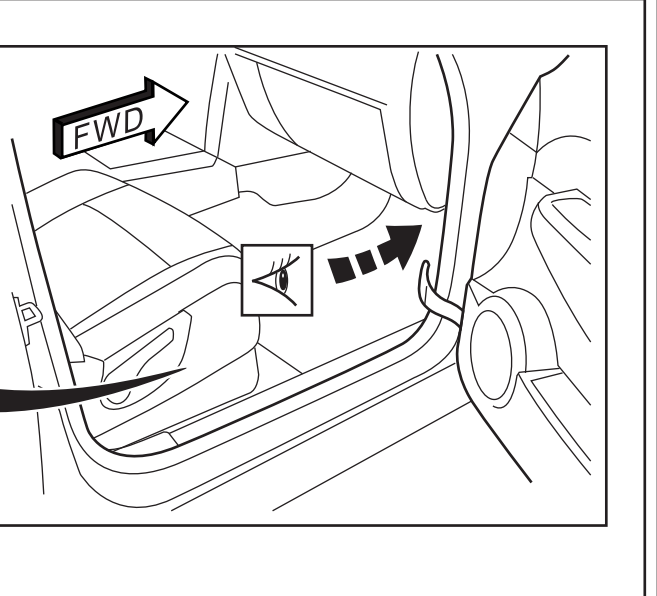
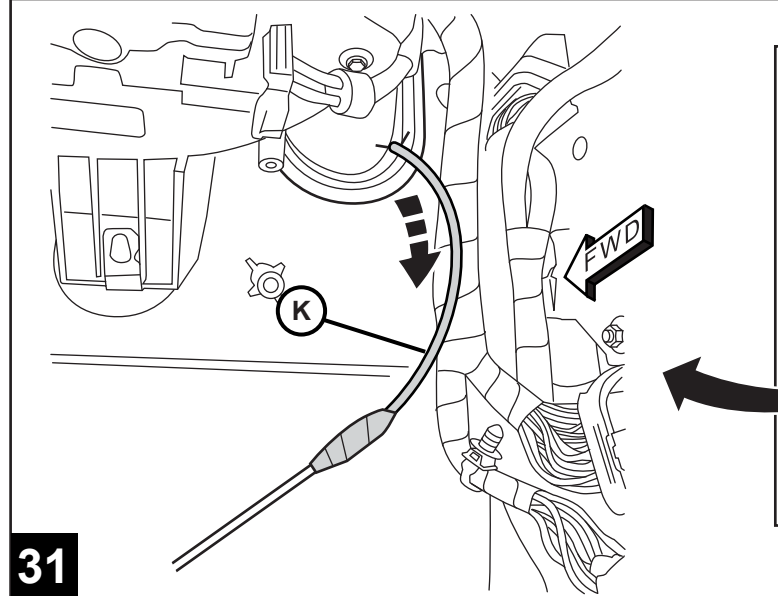
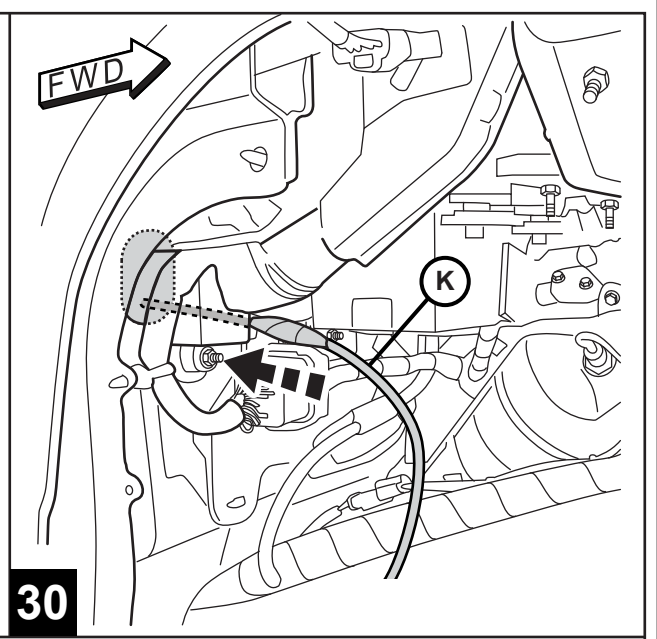
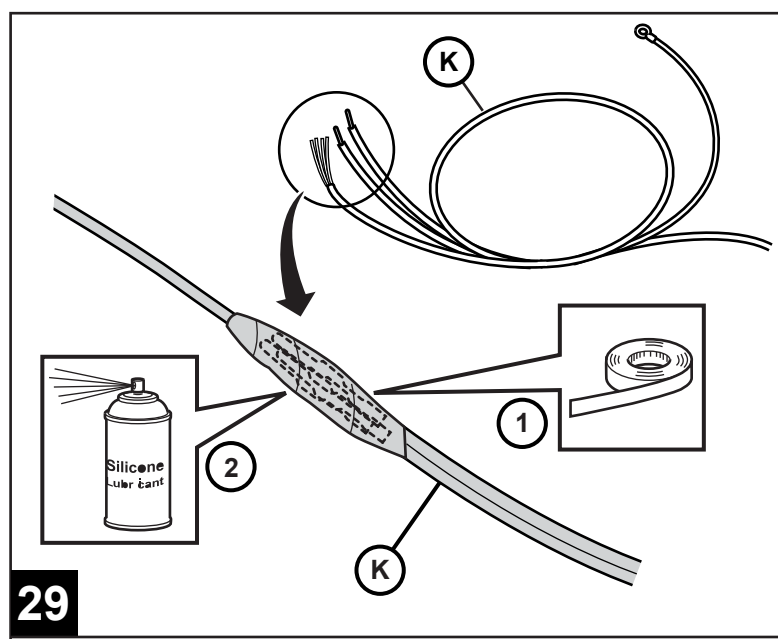
26

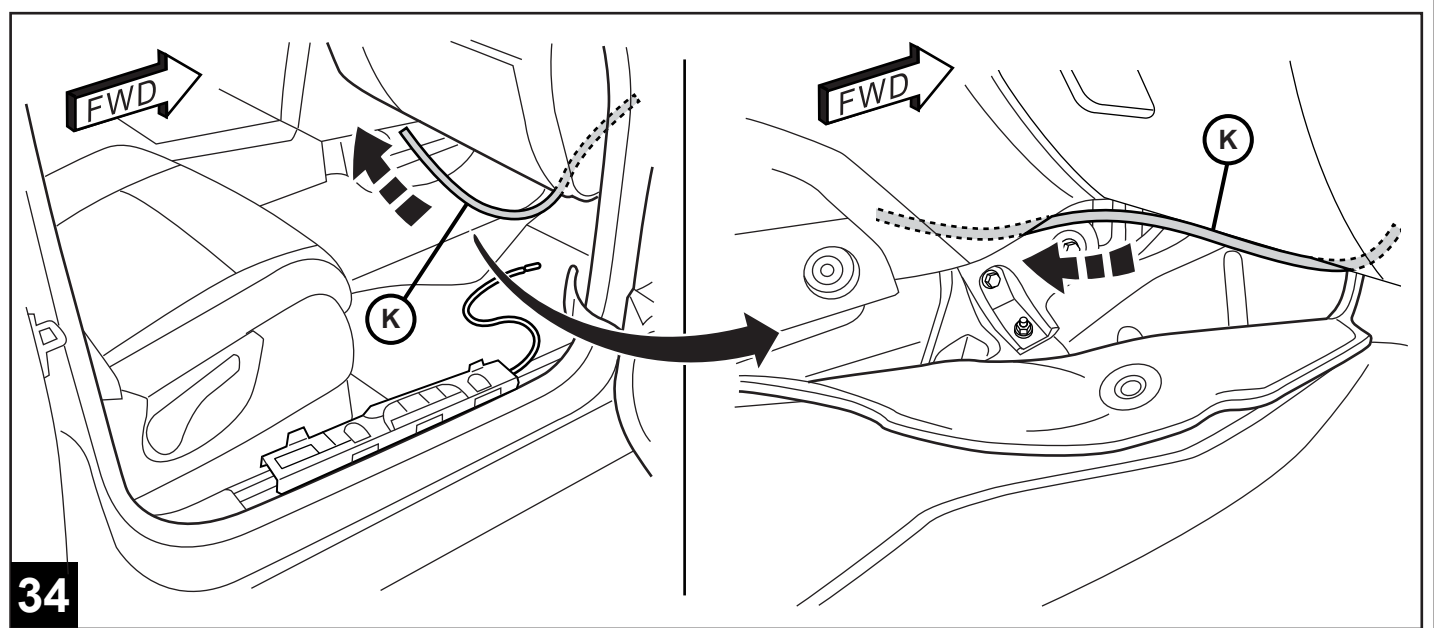


27

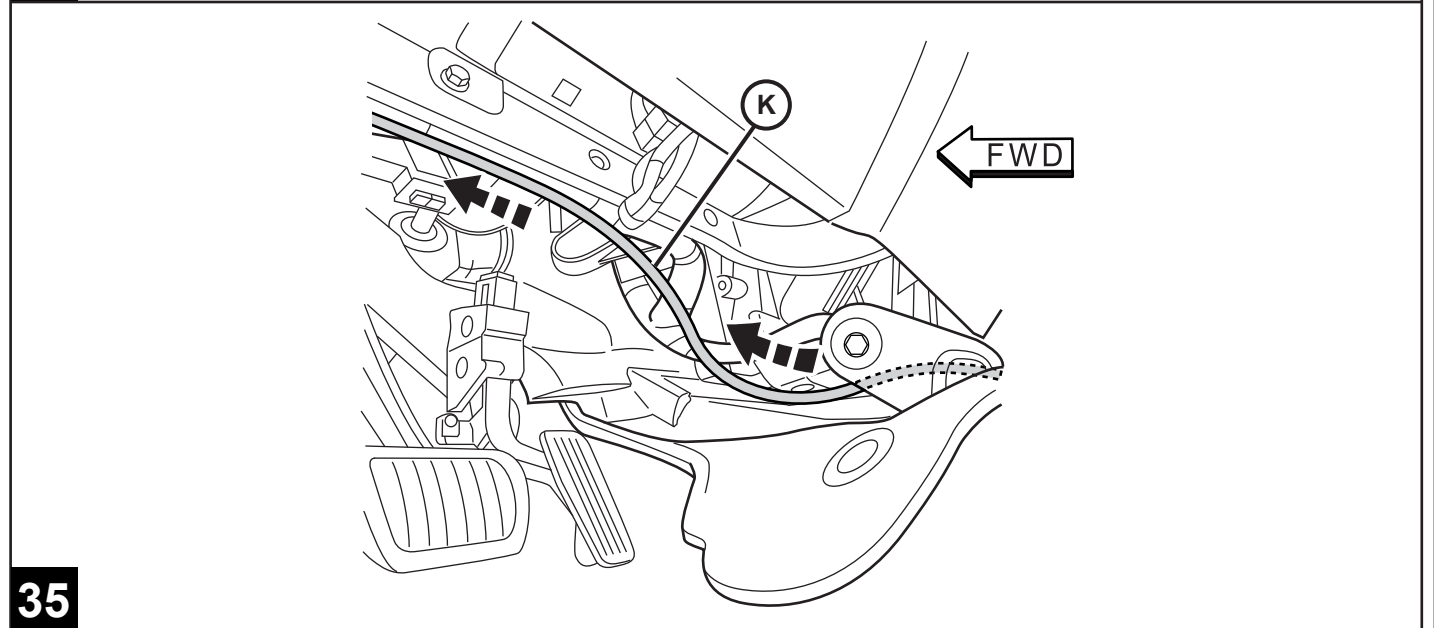


28

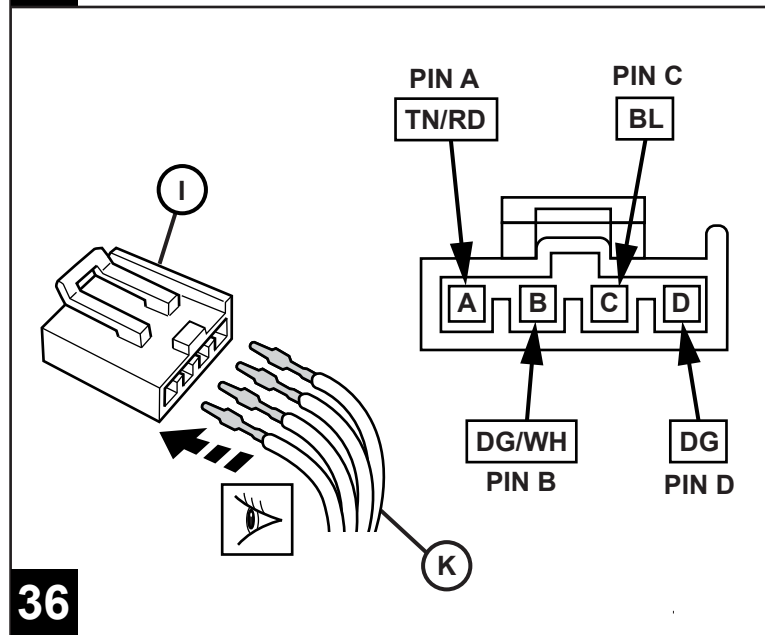




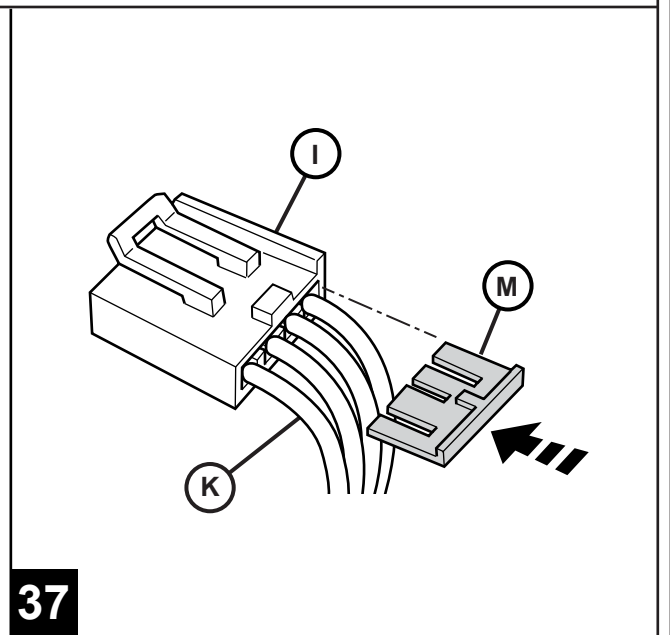
34



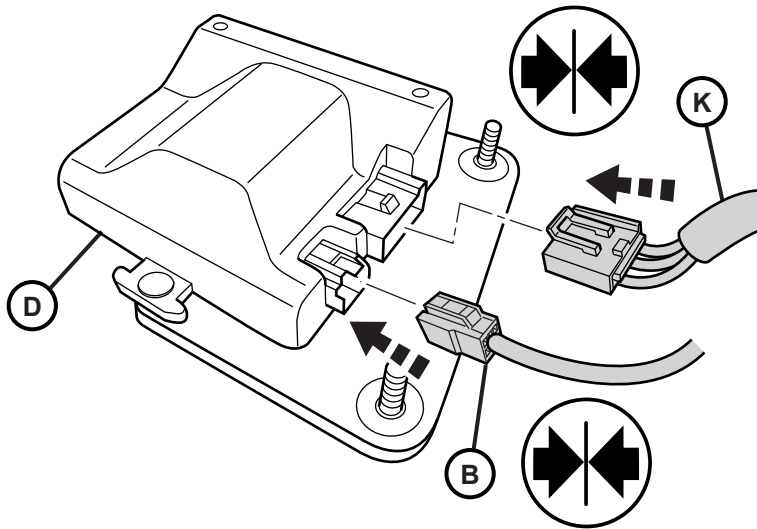
35



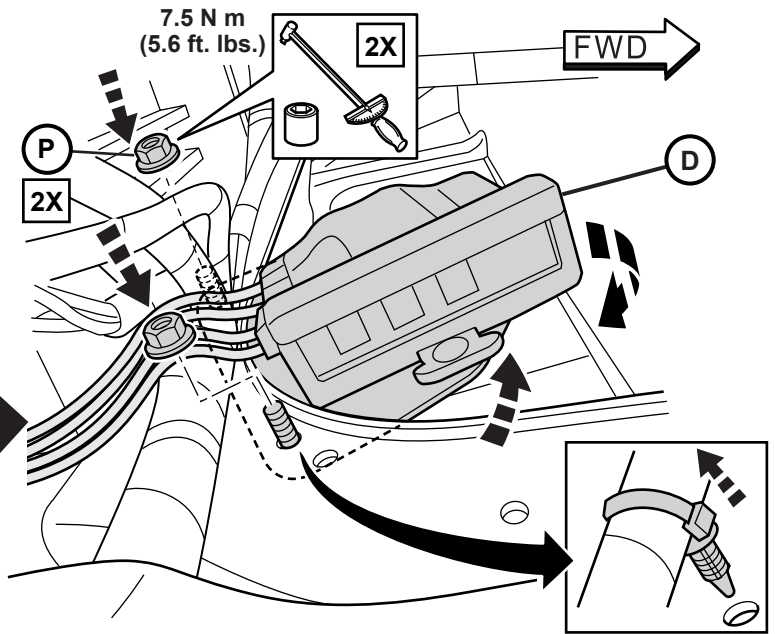
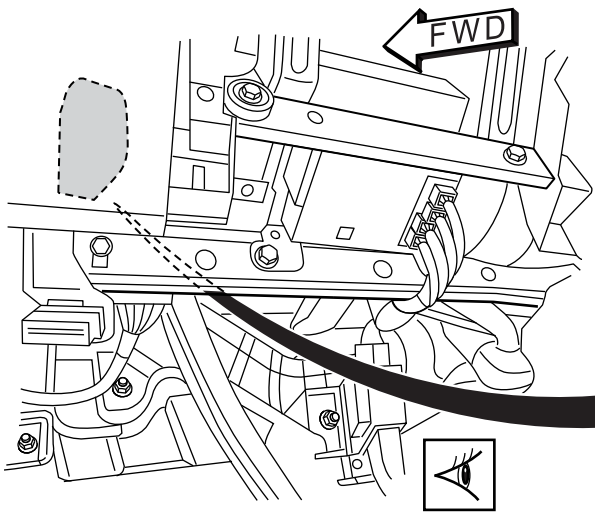
36



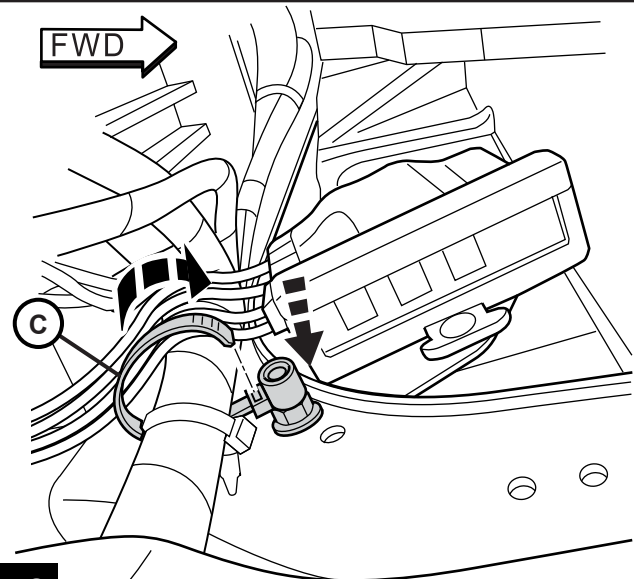
37



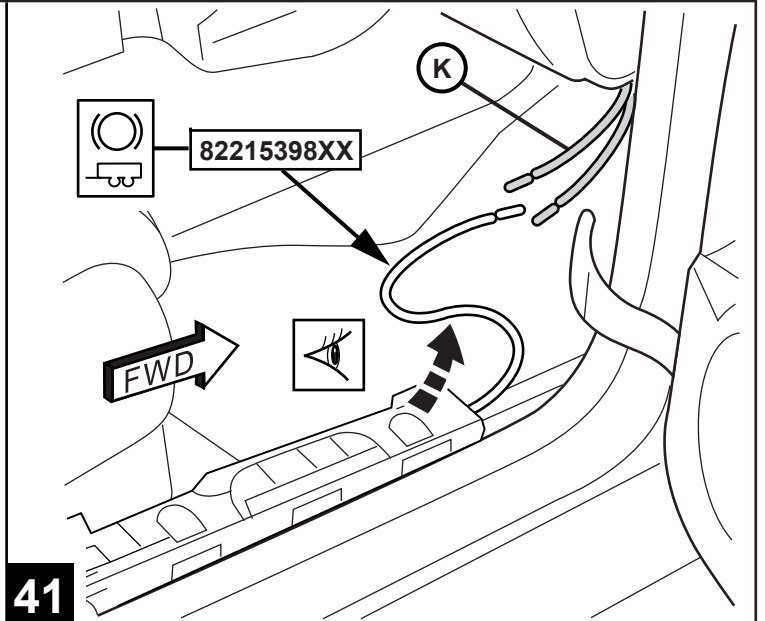
38



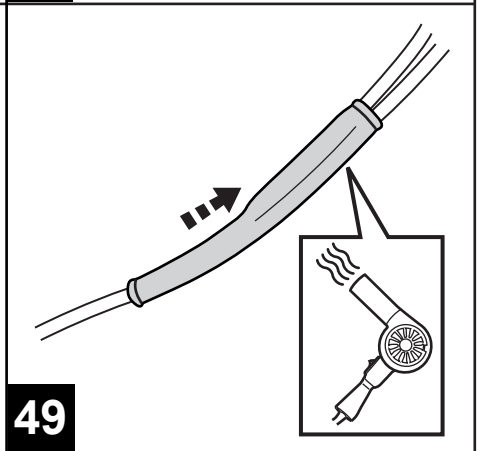
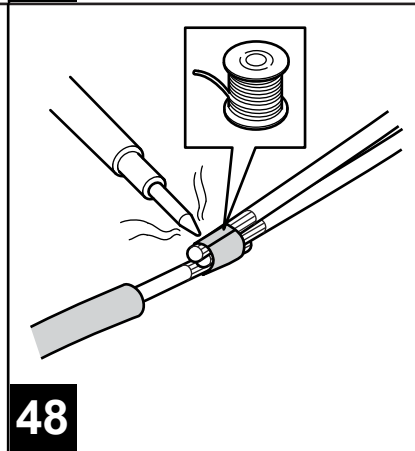
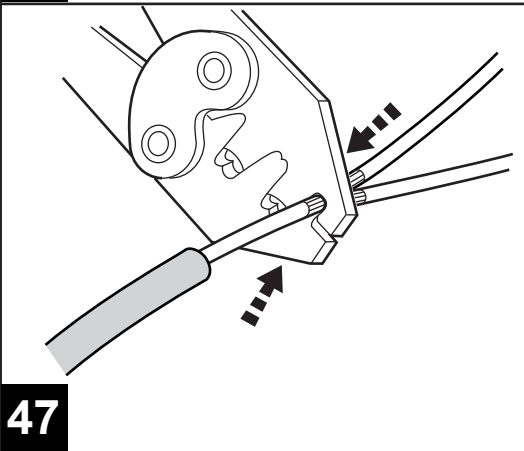
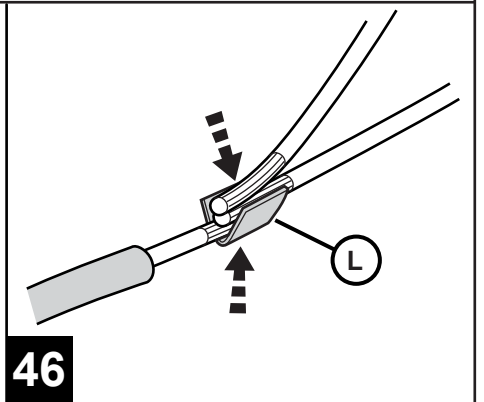
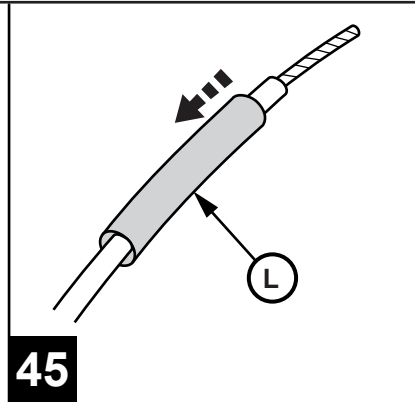
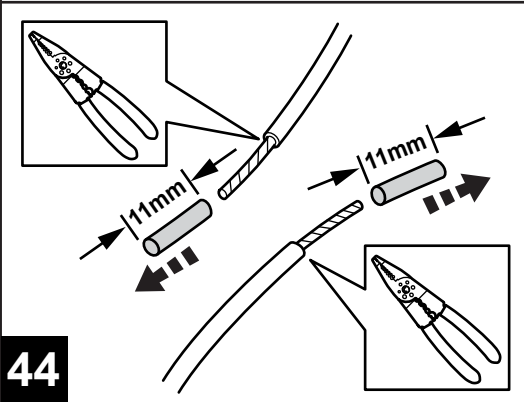
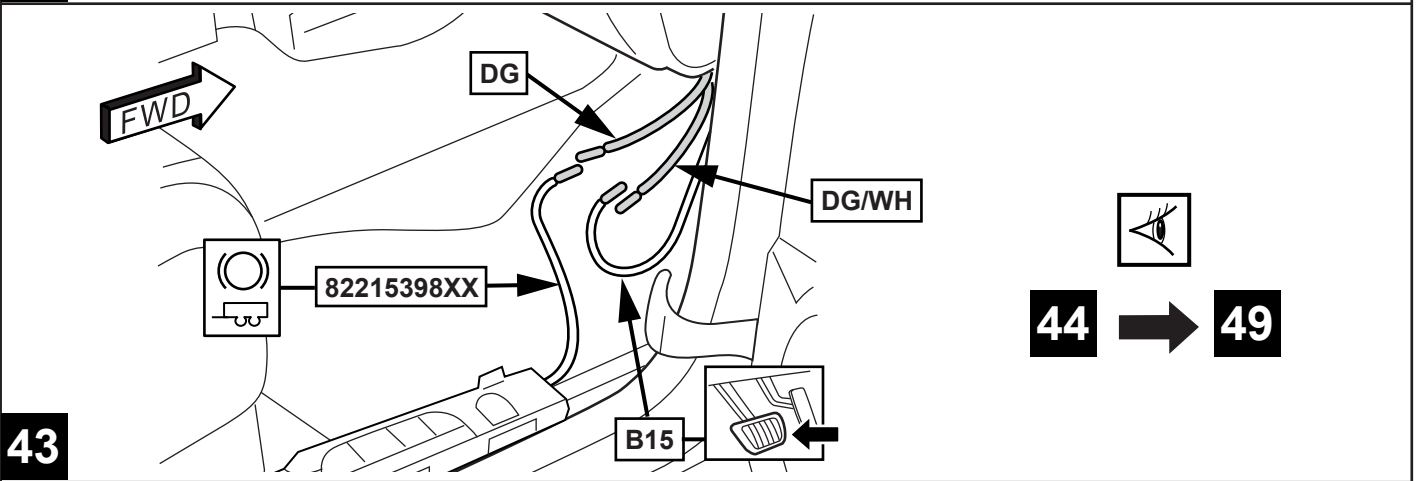
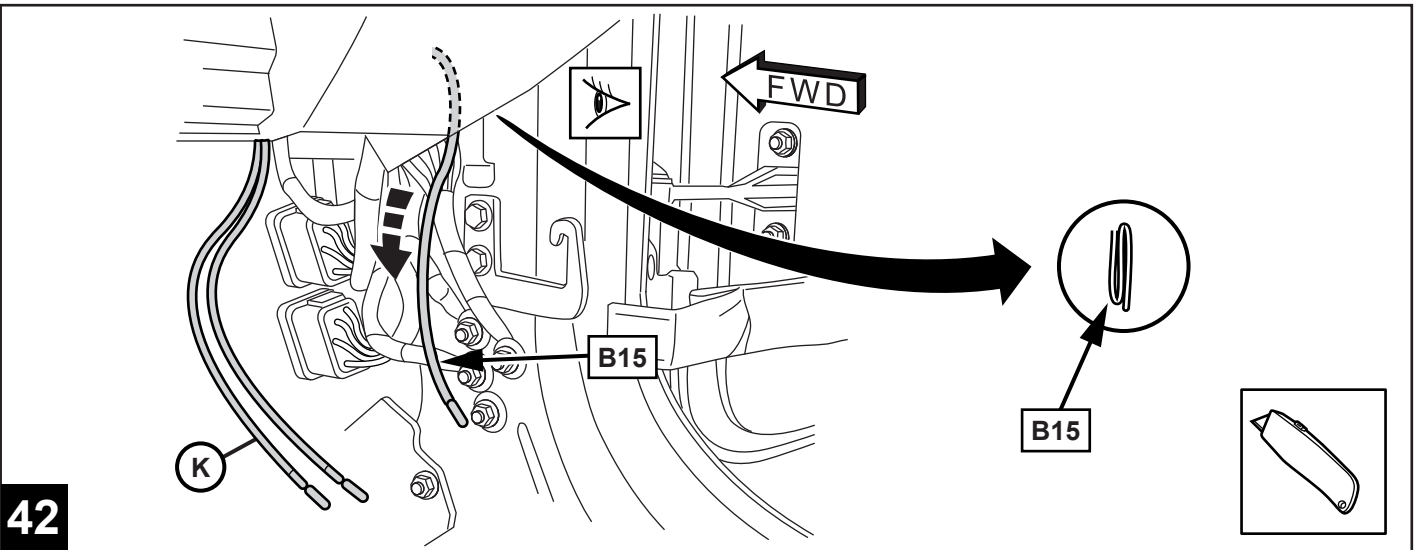
39



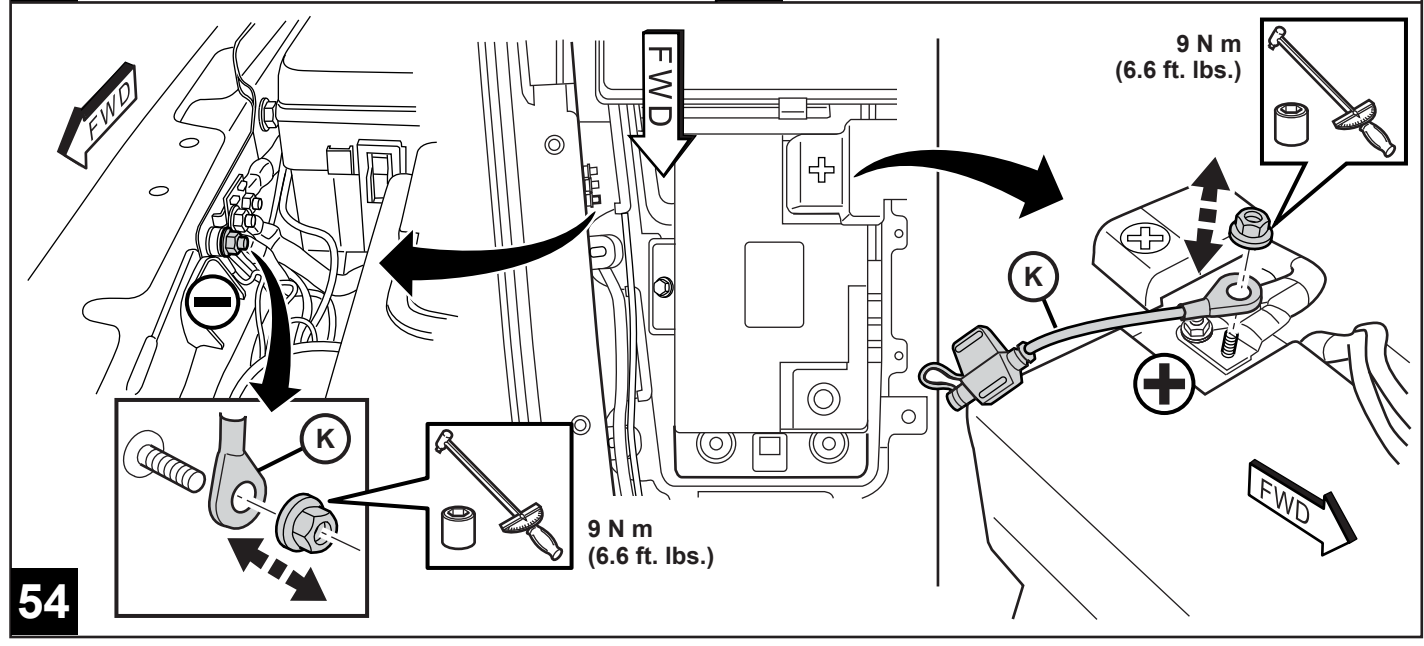
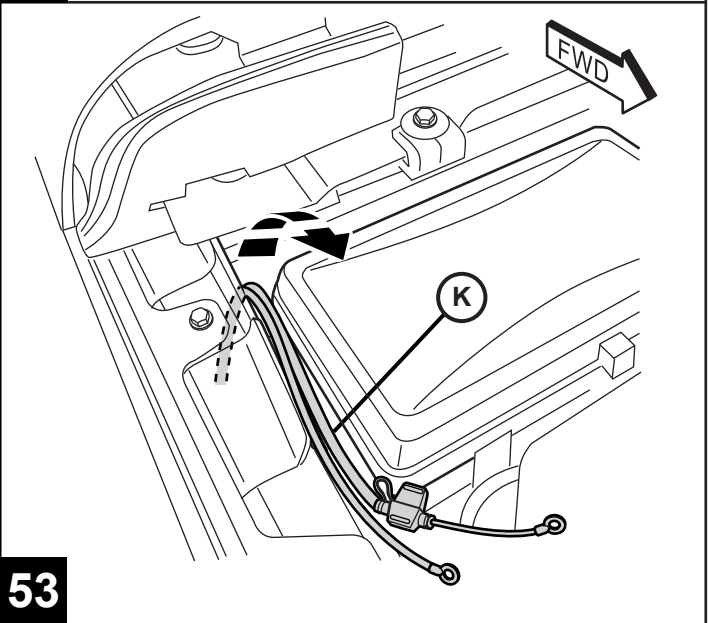
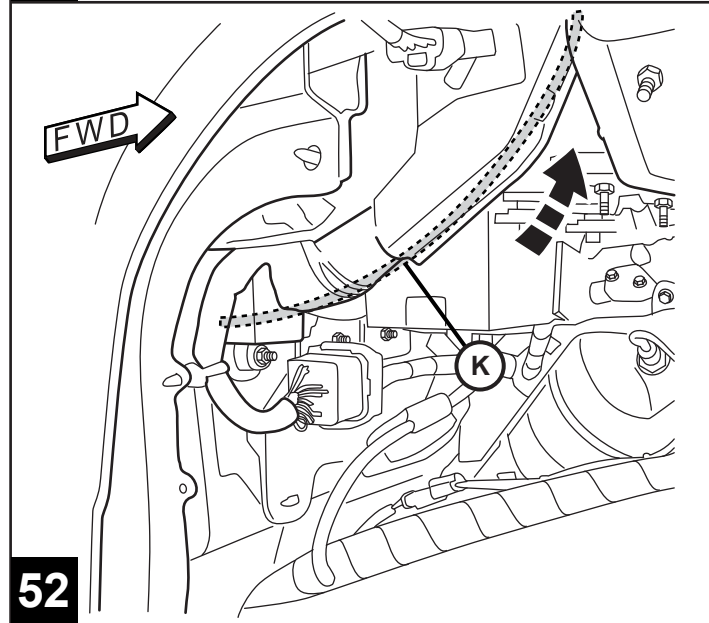
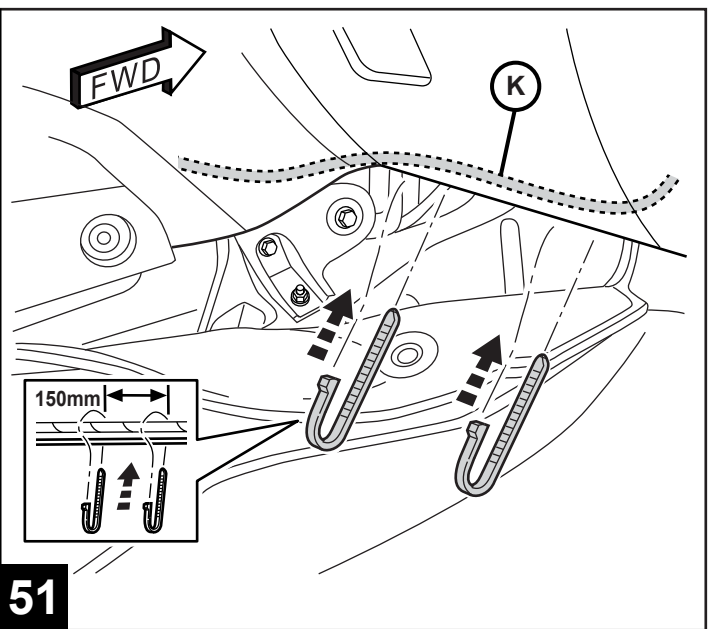
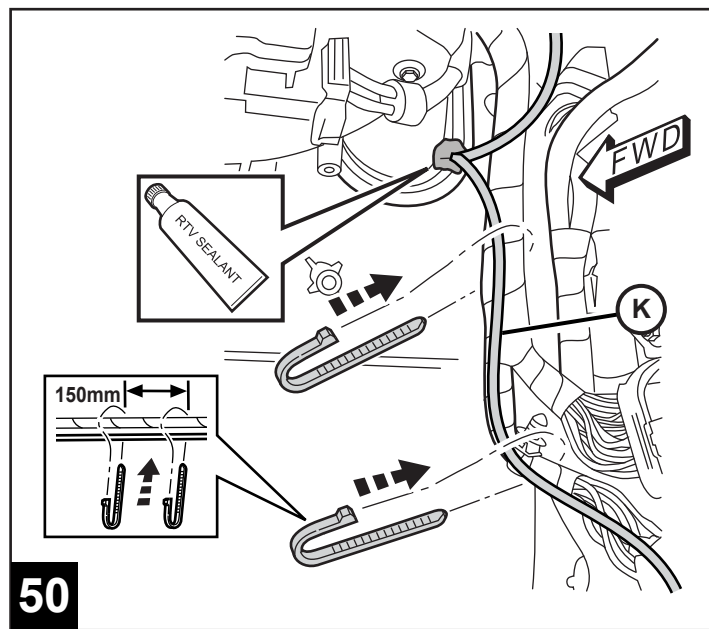
40

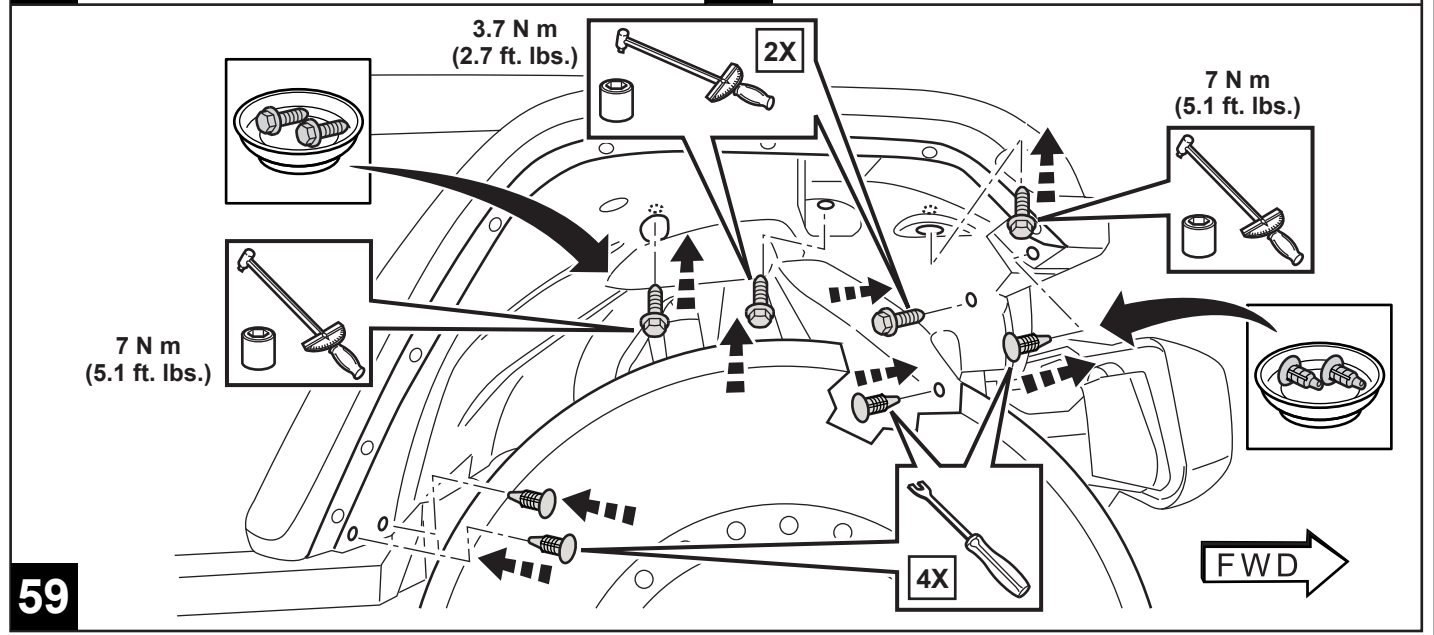
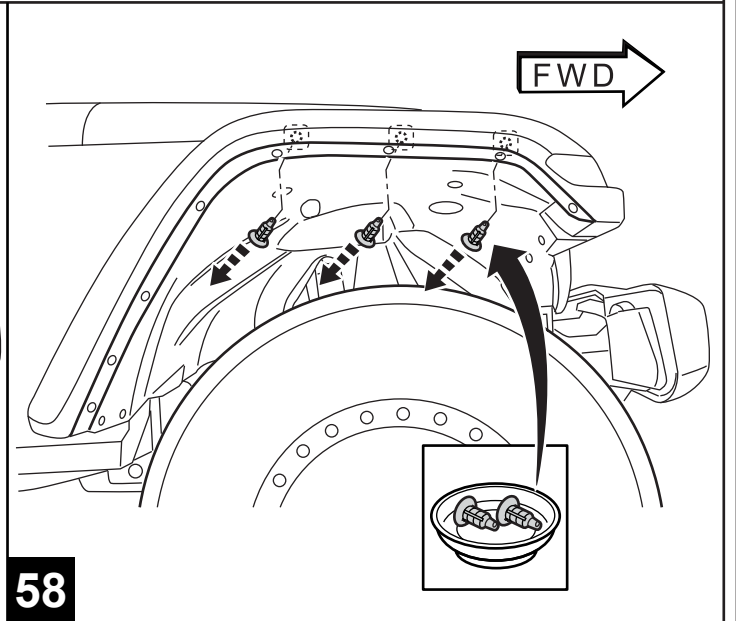
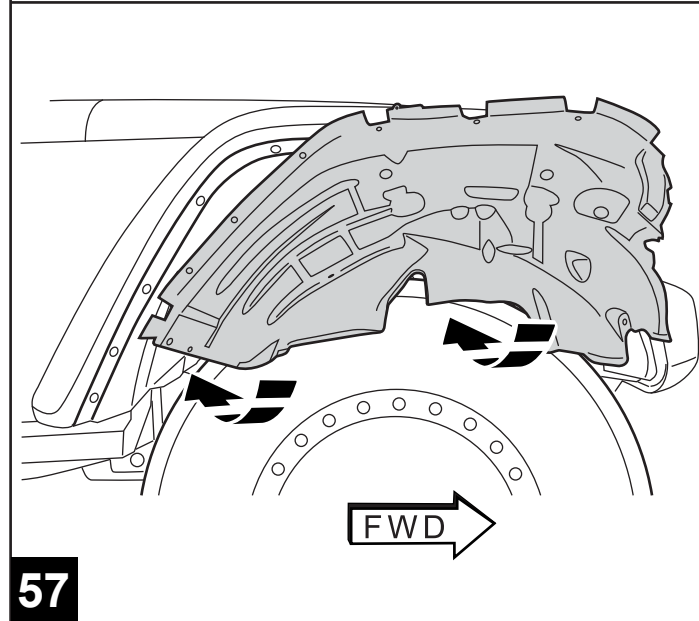
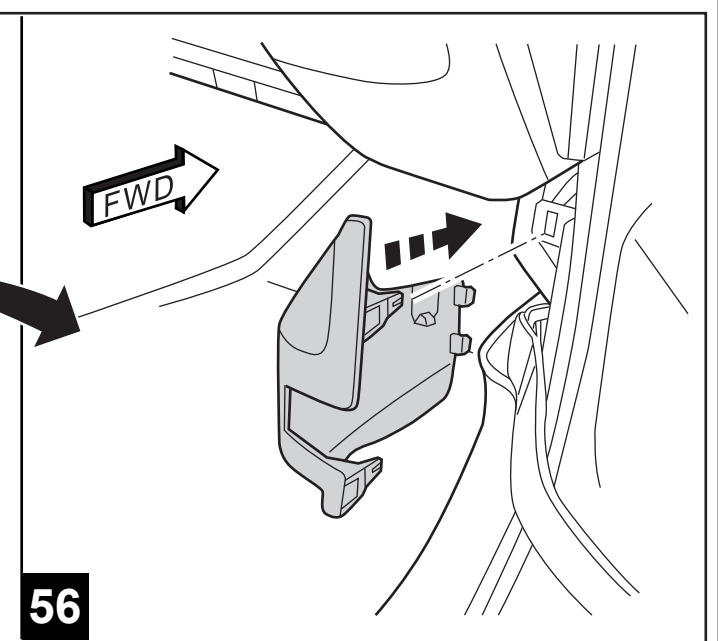
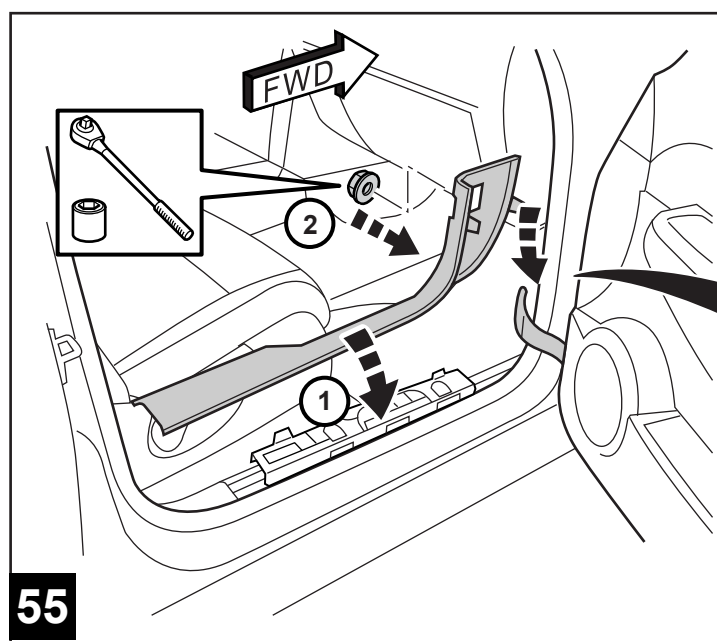


41

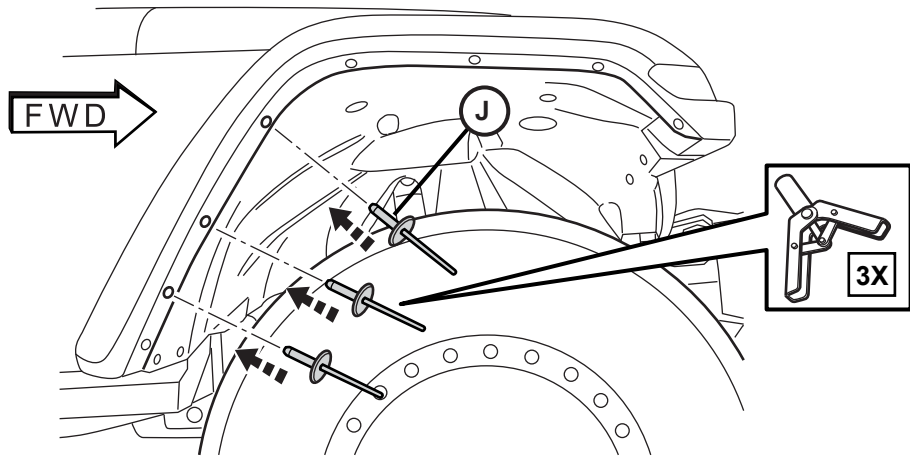




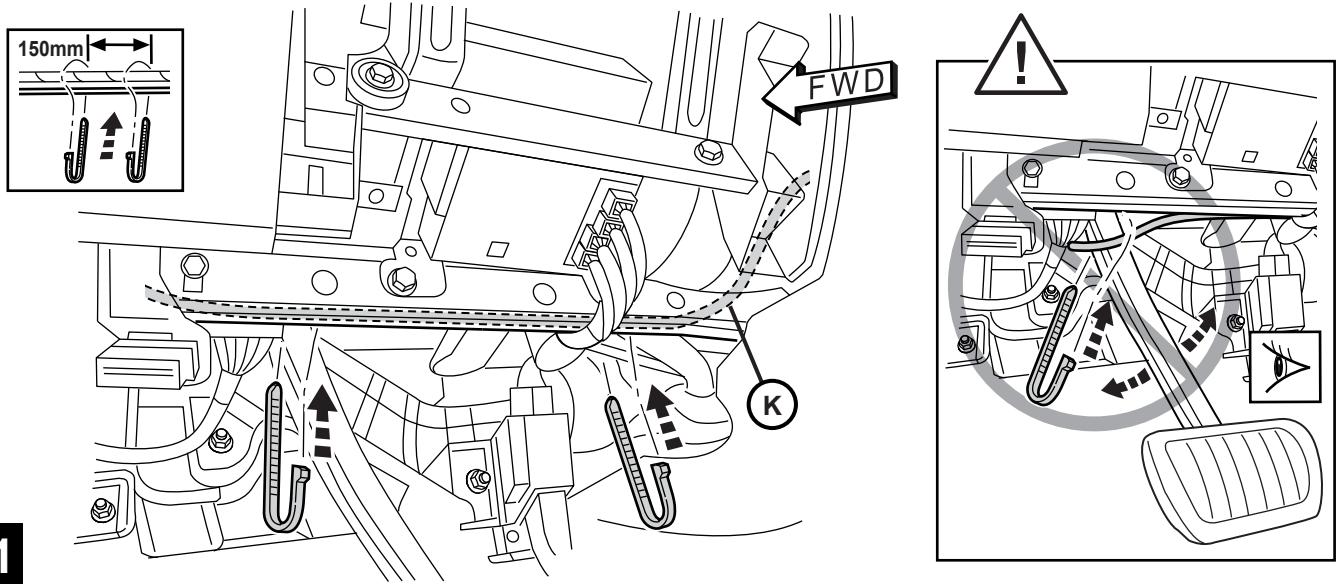




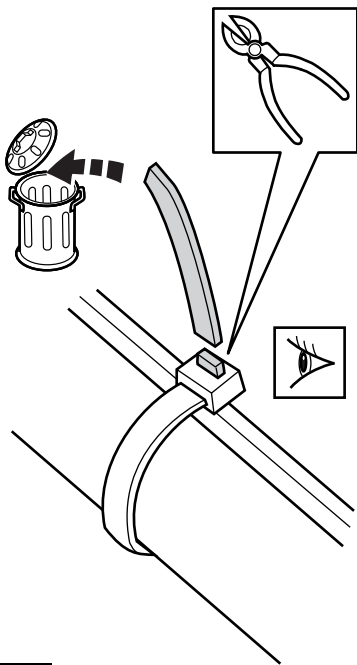
60



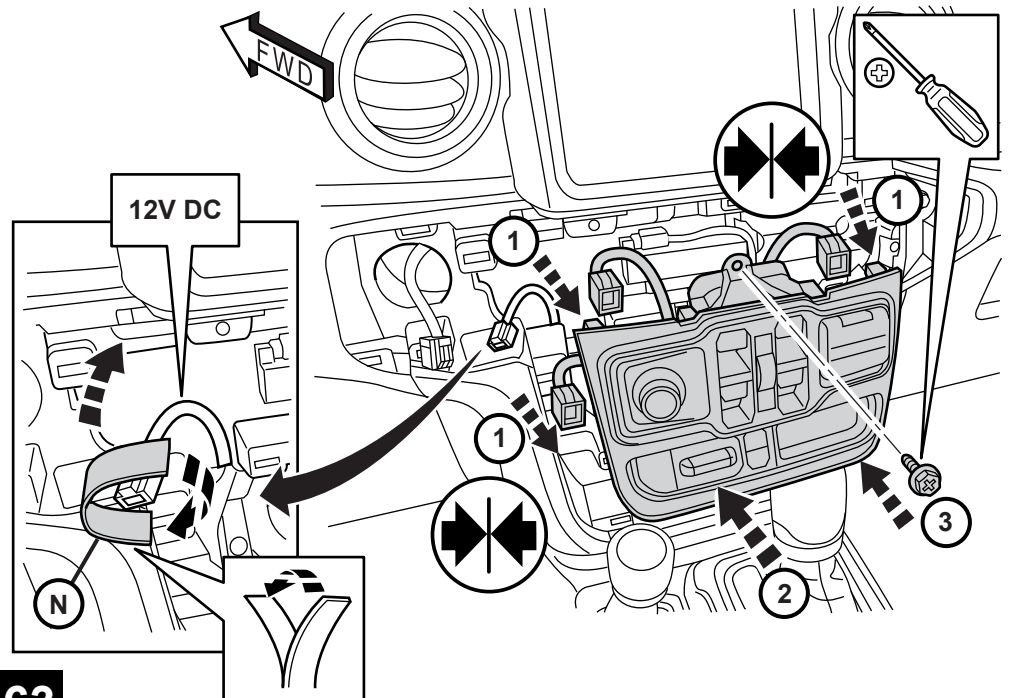
61

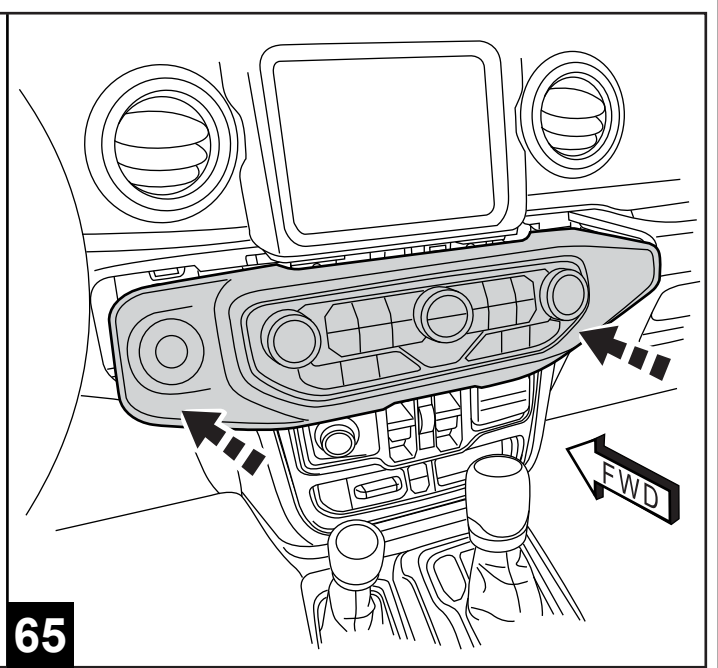
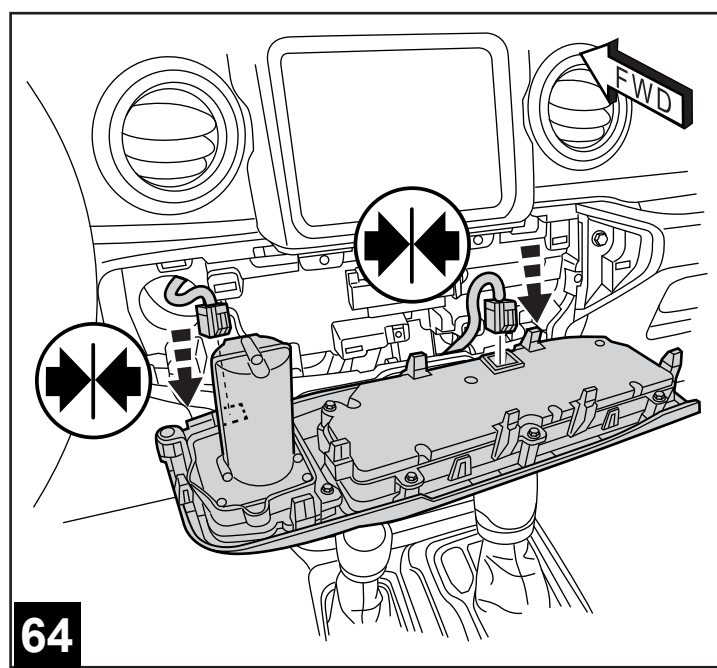


62



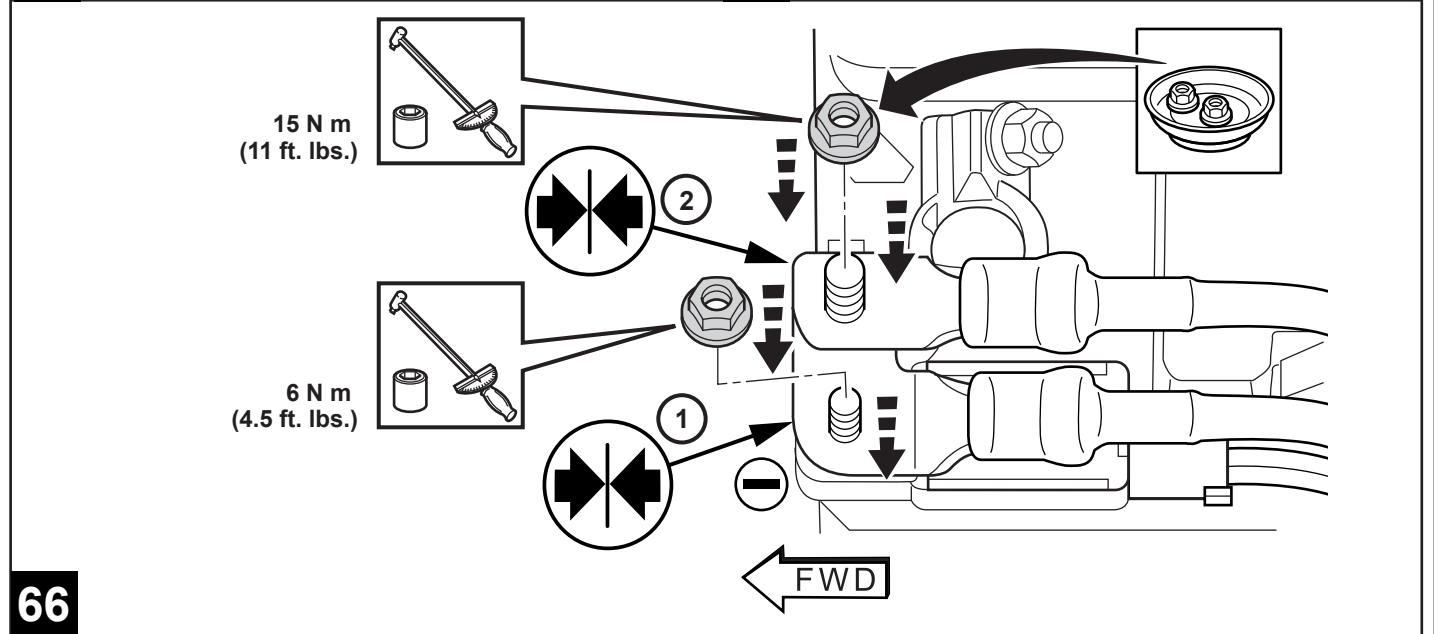
63



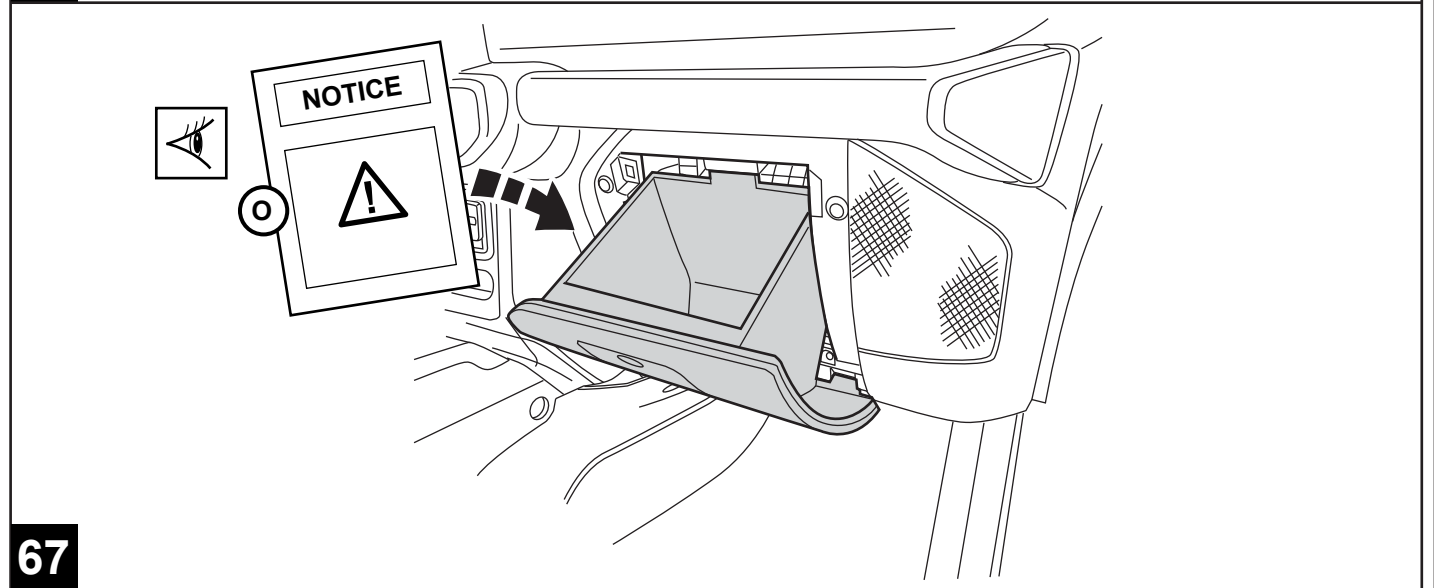


64

65



66



67