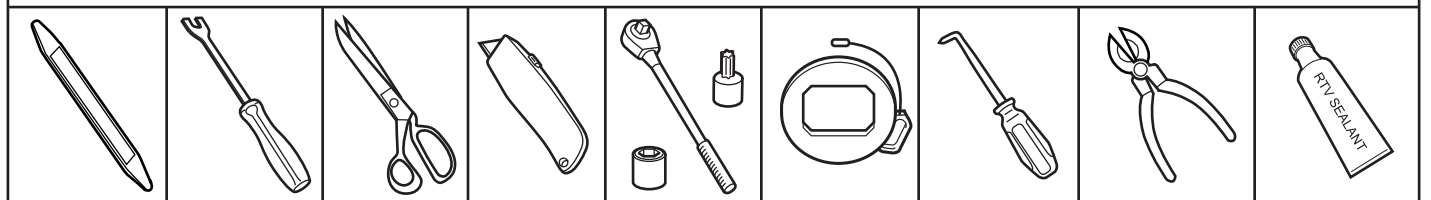
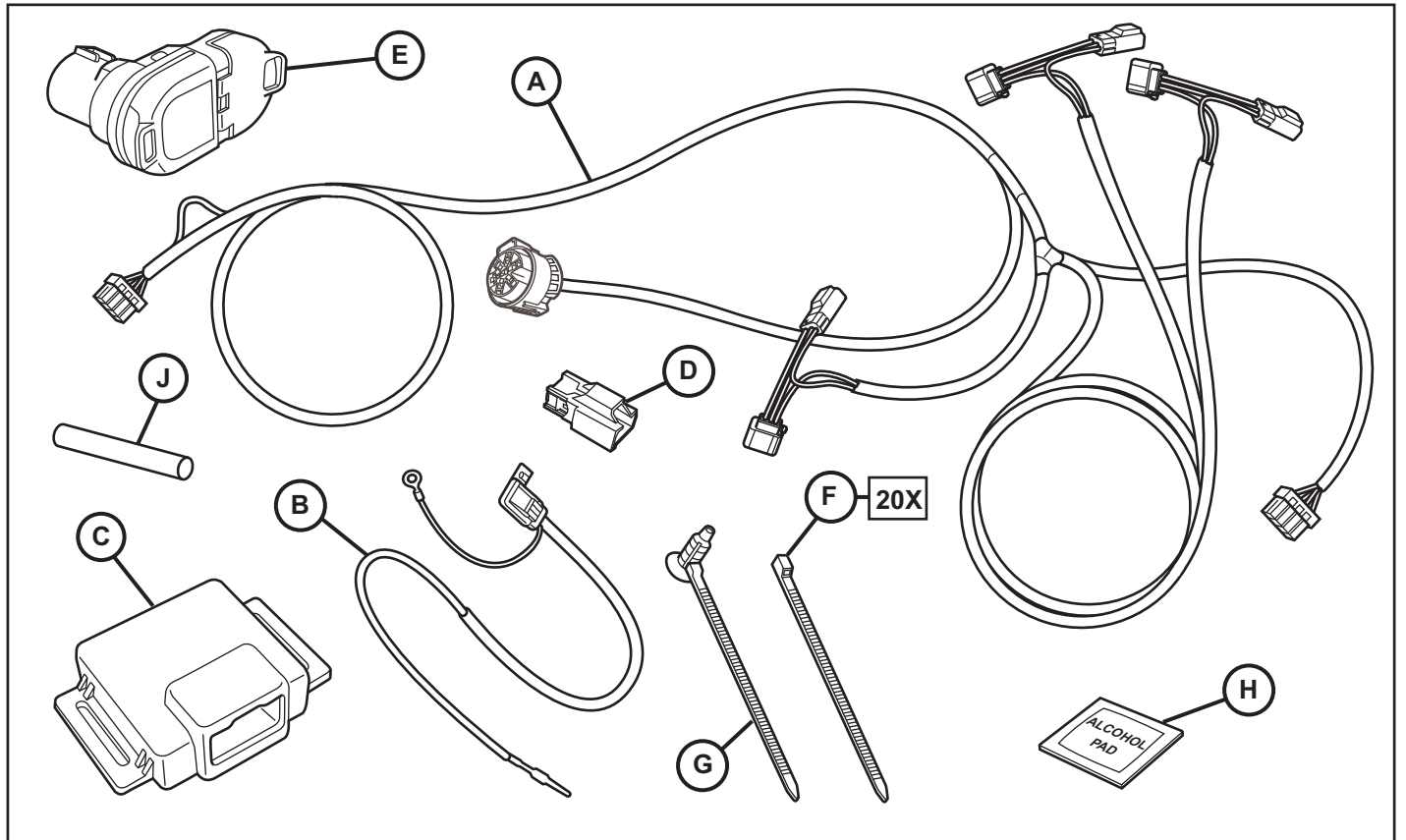


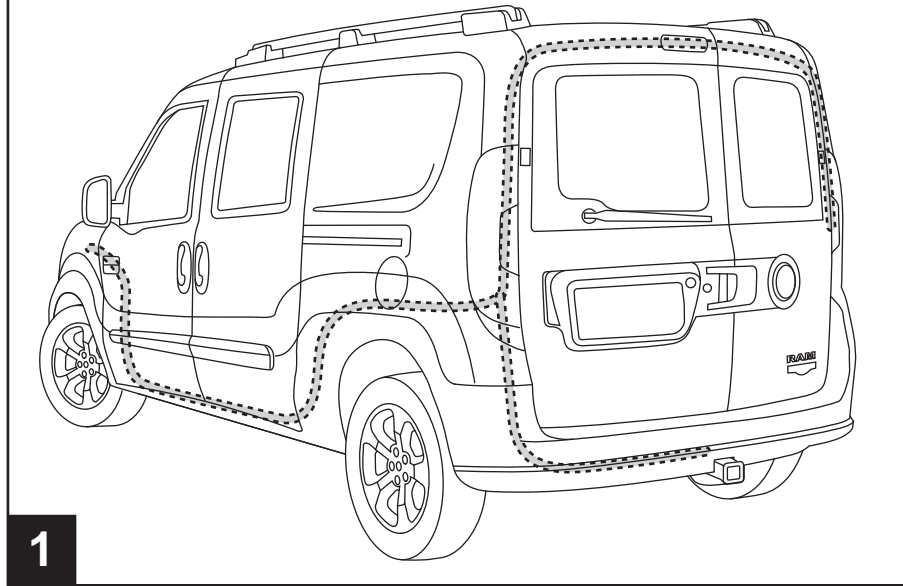


PROMASTER CITY TRAILER HARNESS

www.mopar.com

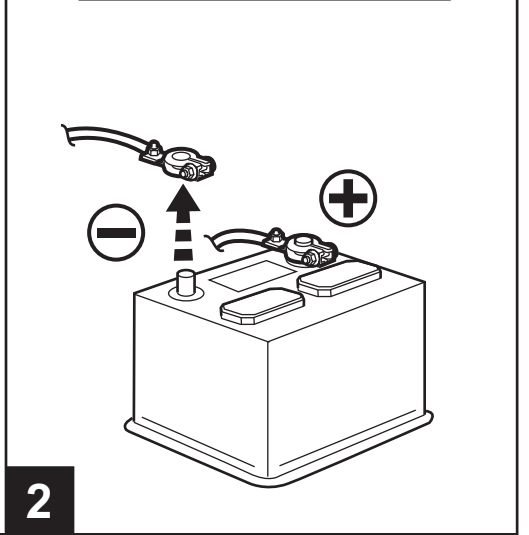


HARNESS ROUTING OVERVIEW



1

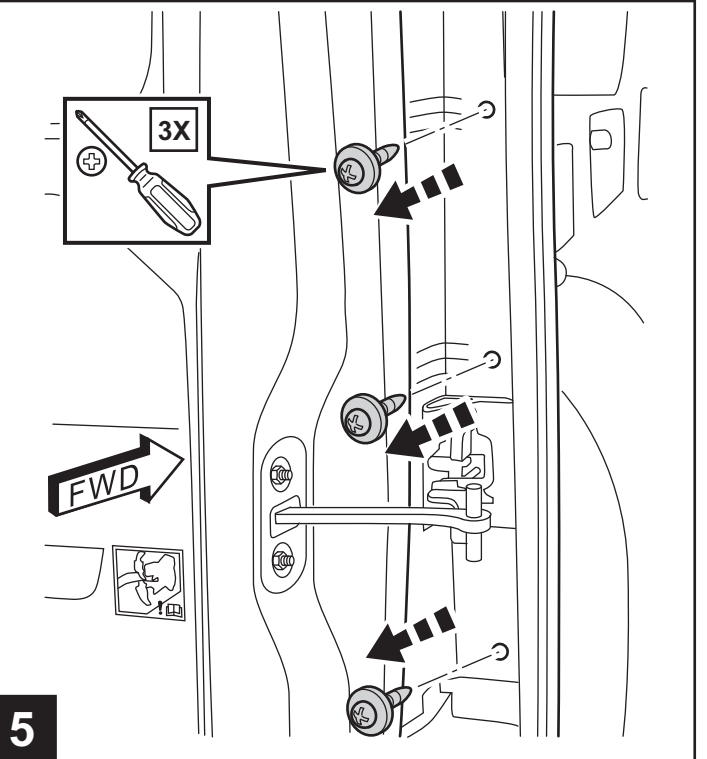
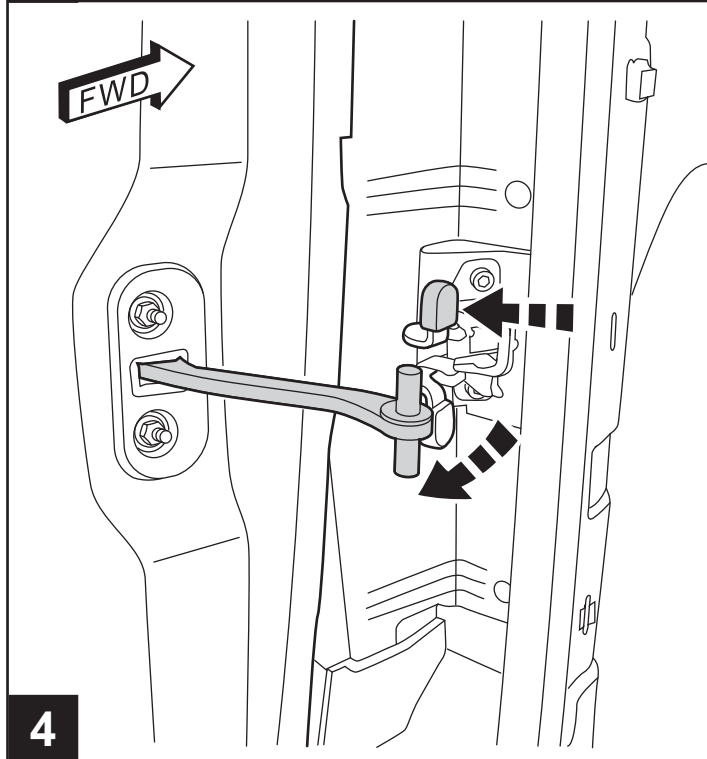
RETAIN ALL FASTENERS FOR REINSTALLATION



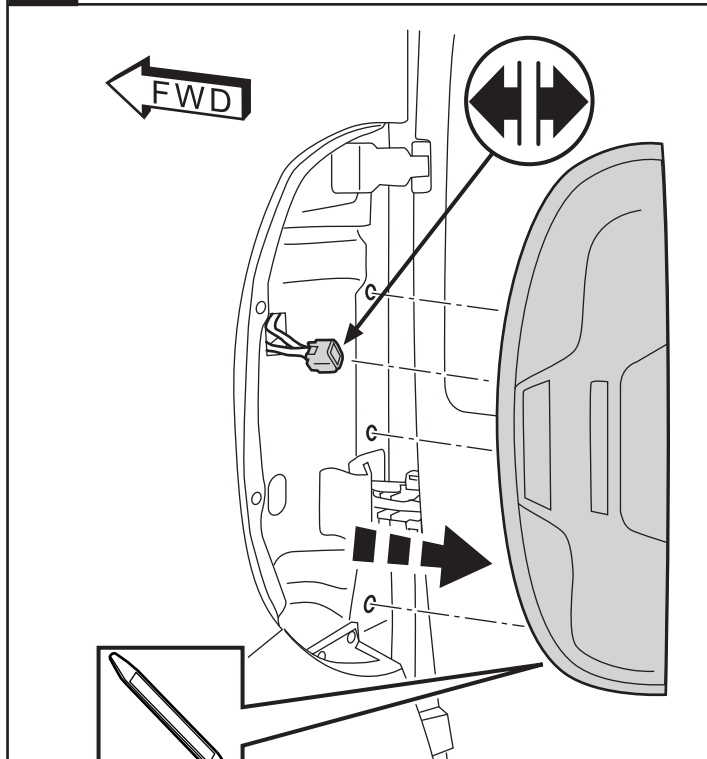
2

**NOTE: HEADLINER REMOVAL AND QUARTER PANEL REMOVAL
MUST BE PERFORMED BEFORE PROCEEDING.
REFER TO STEPS PROVIDED ON PAGES 12 THROUGH 15**

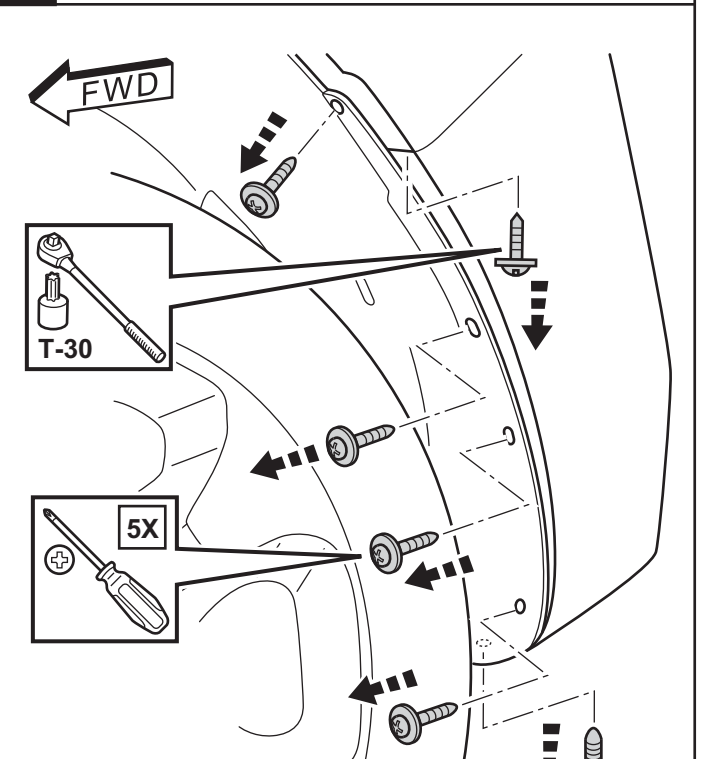
3



4



5

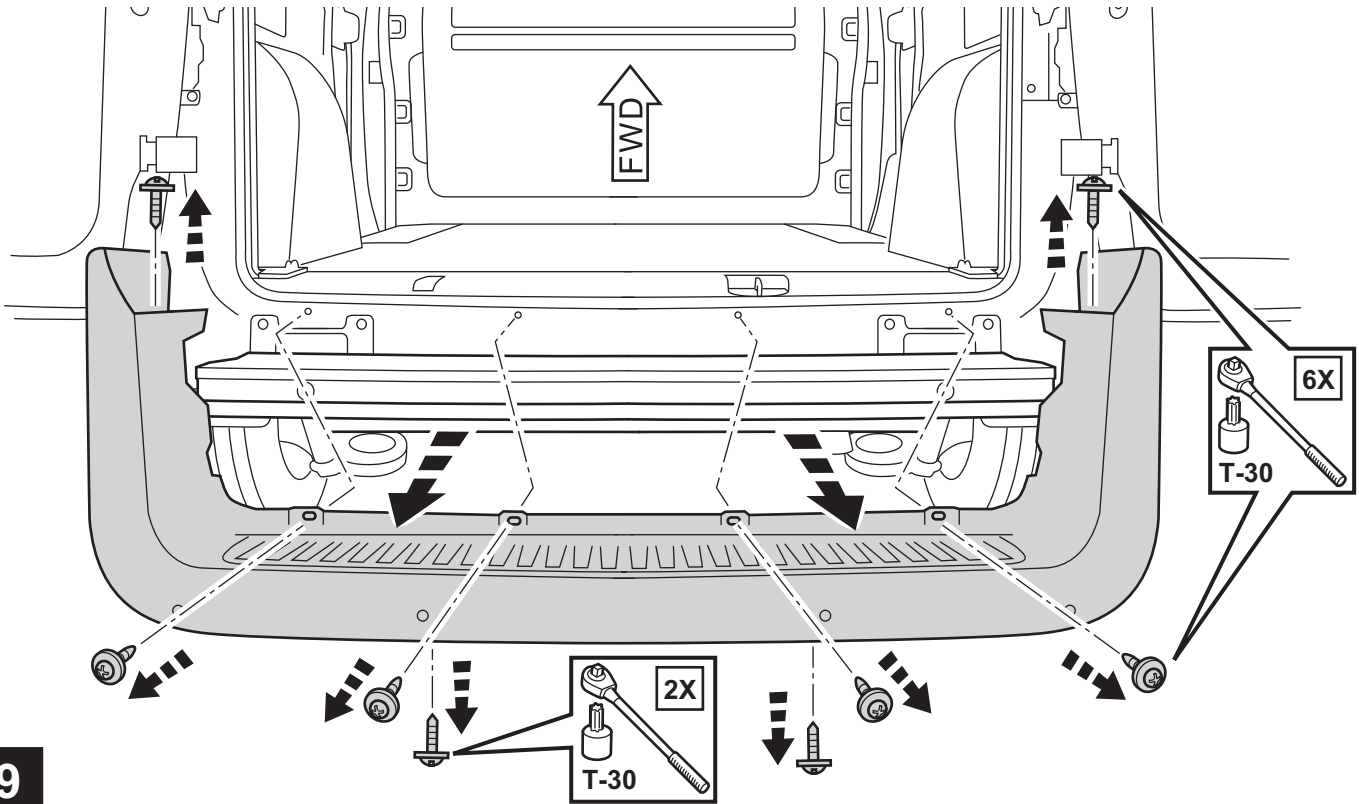


6

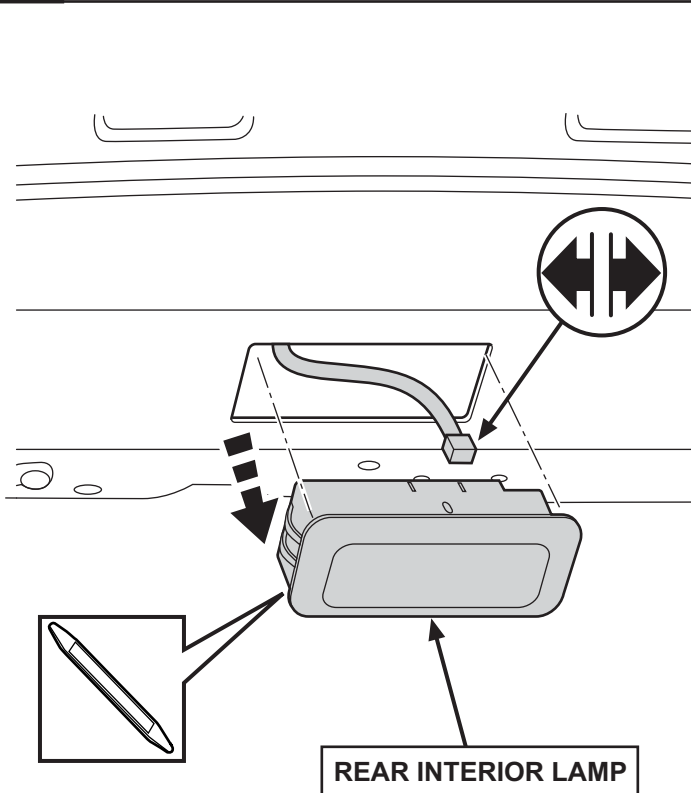
7

REPEAT STEPS 3 THROUGH 6 FOR PASSENGER SIDE

8

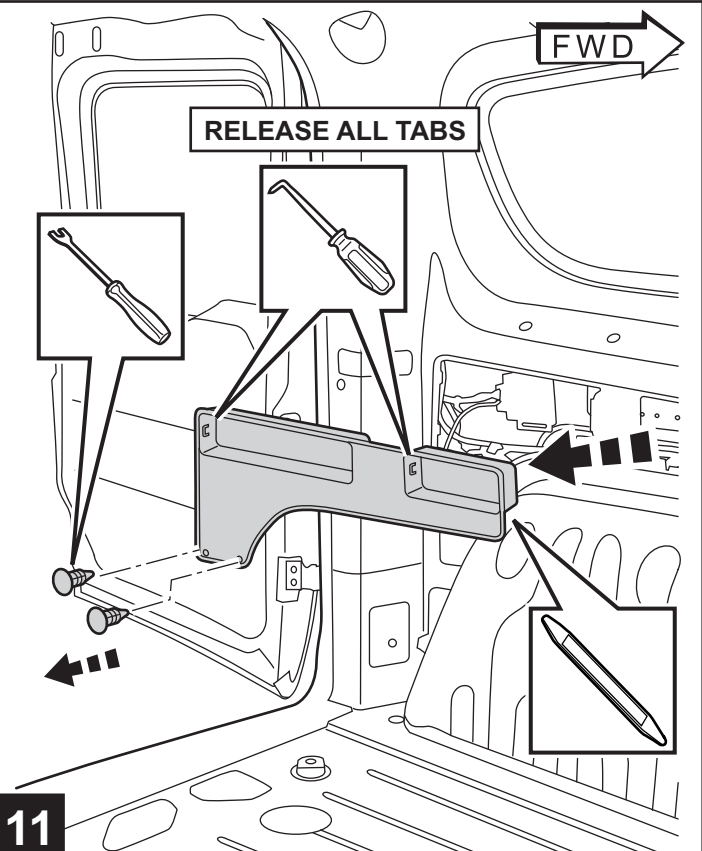


9

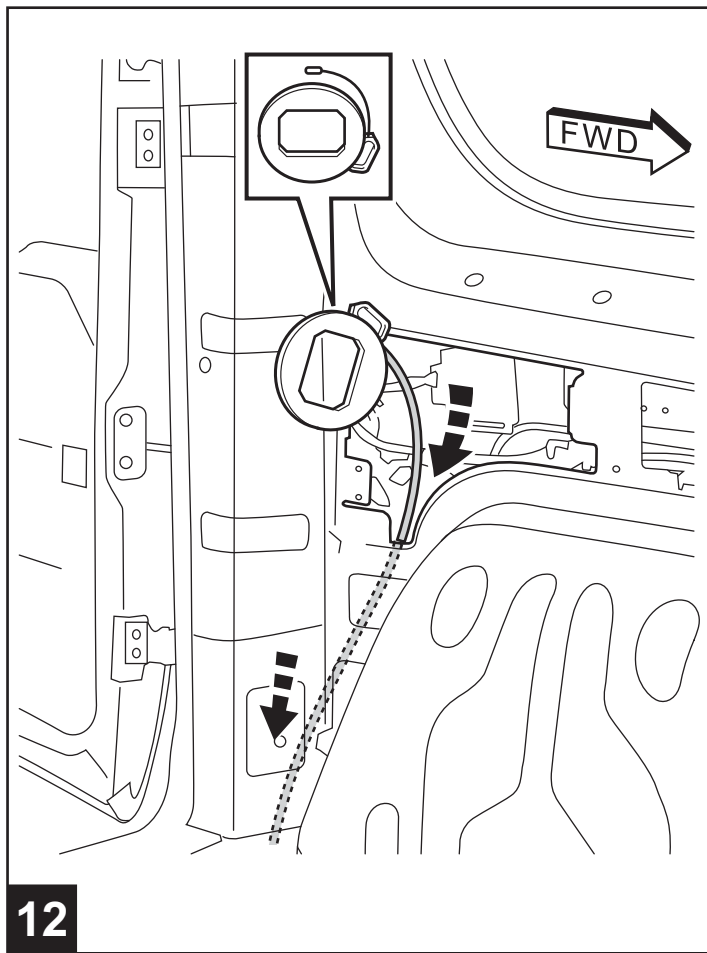


REAR INTERIOR LAMP

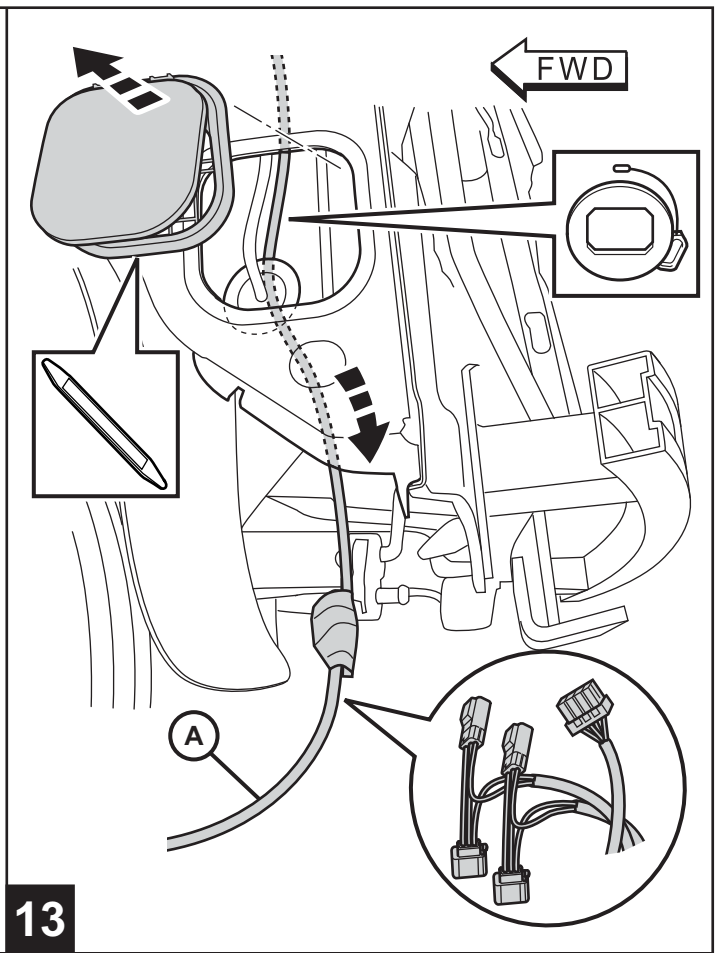
10



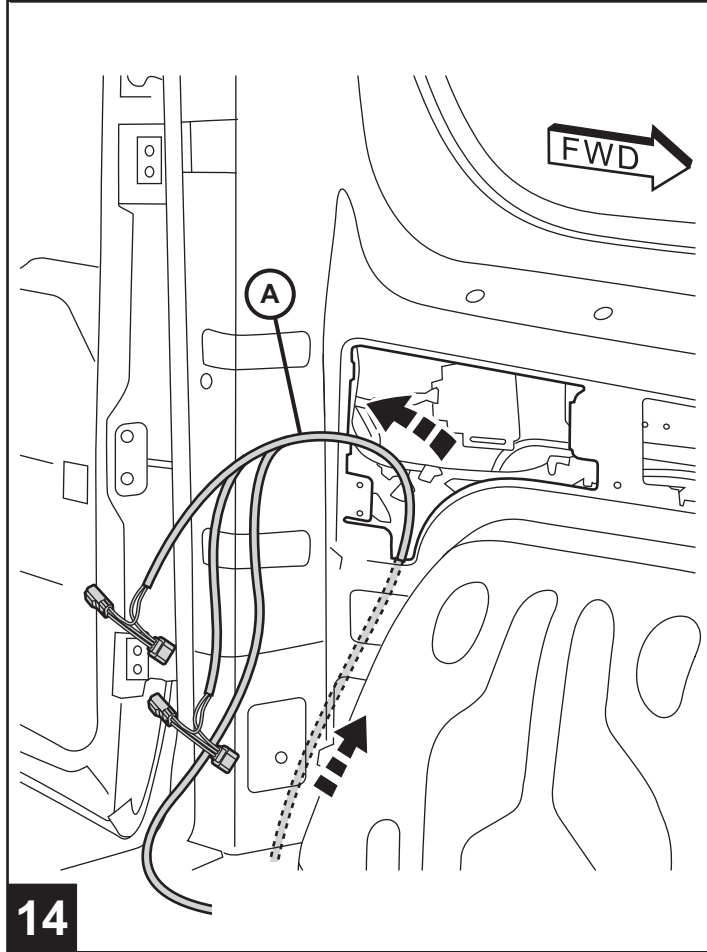
11



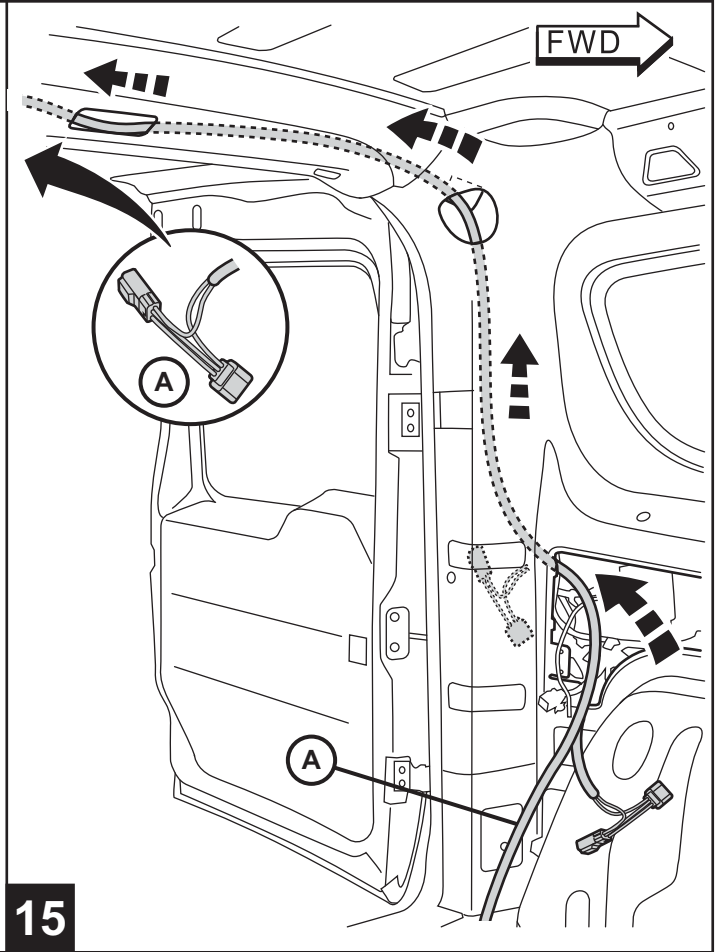
12



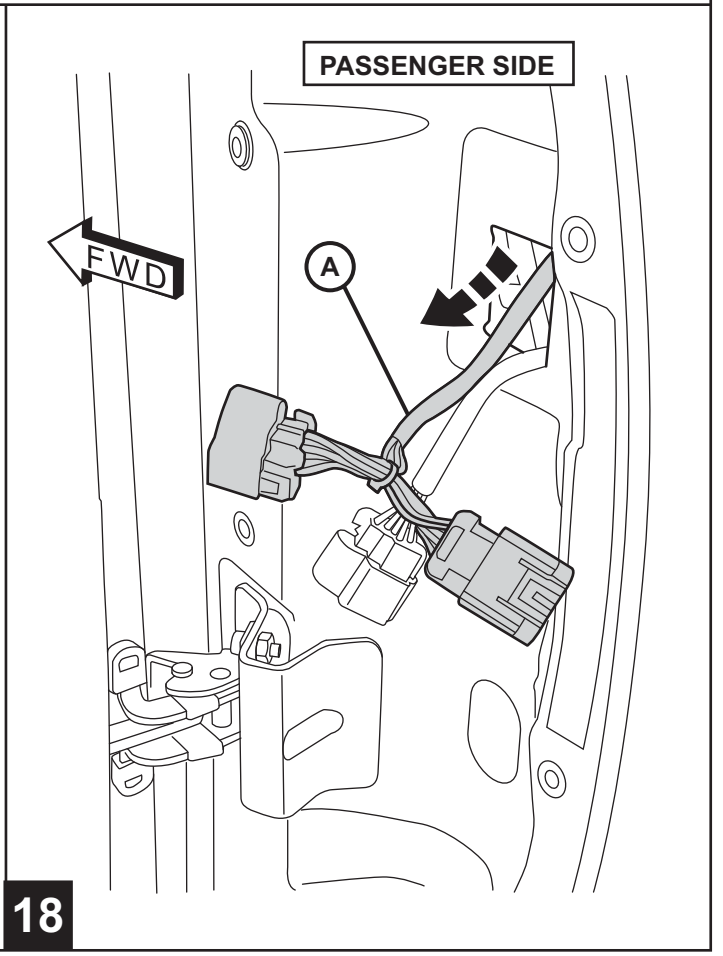
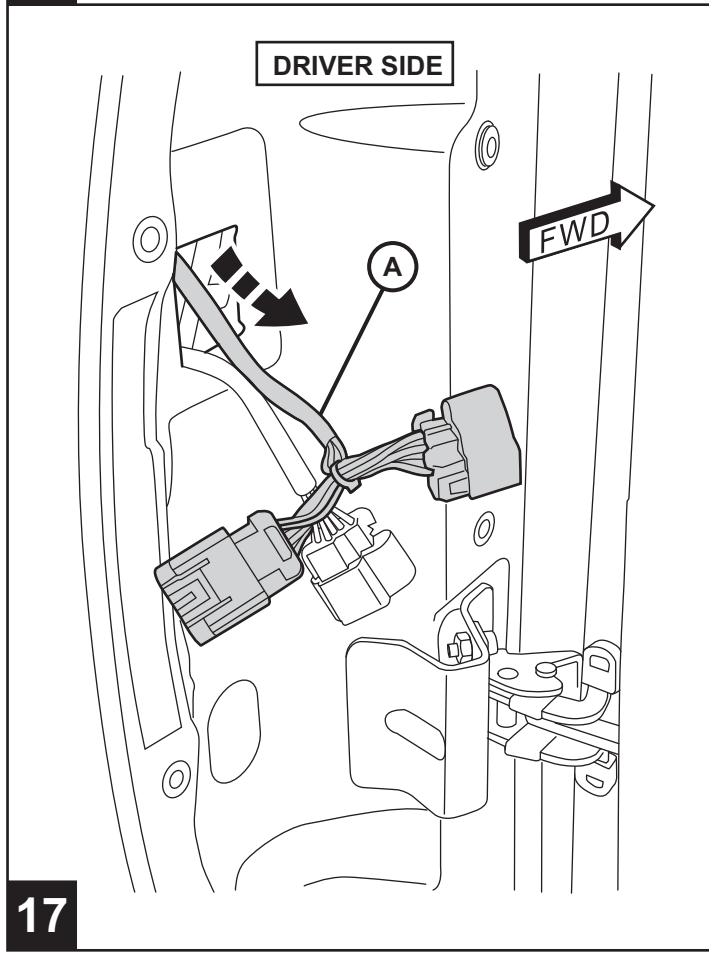
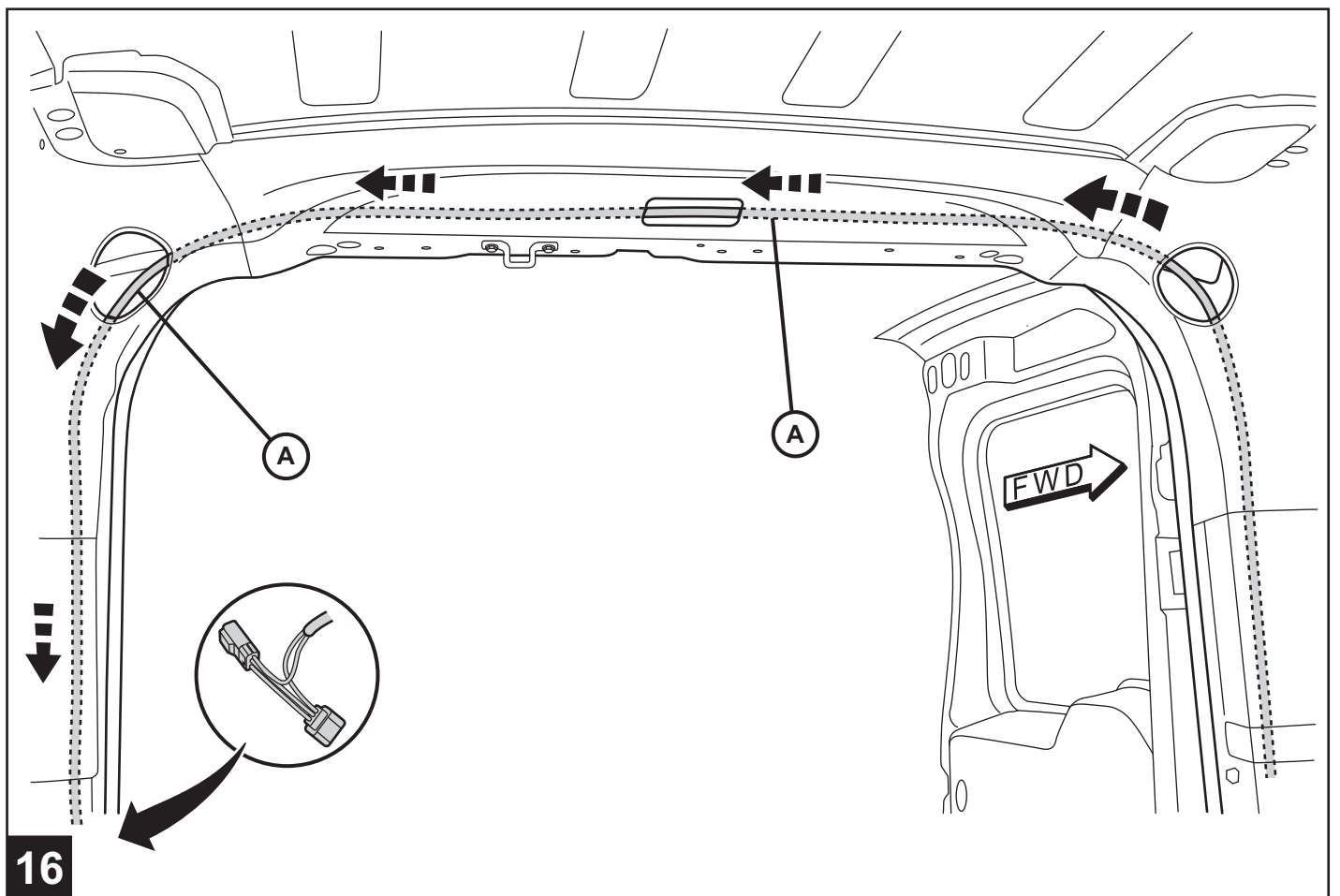
13



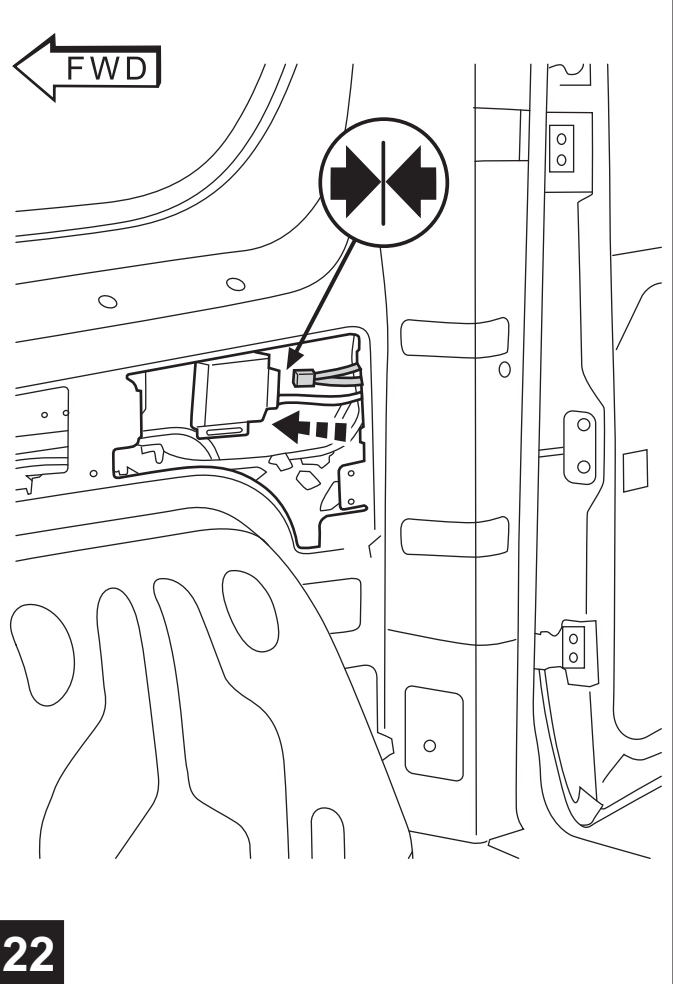
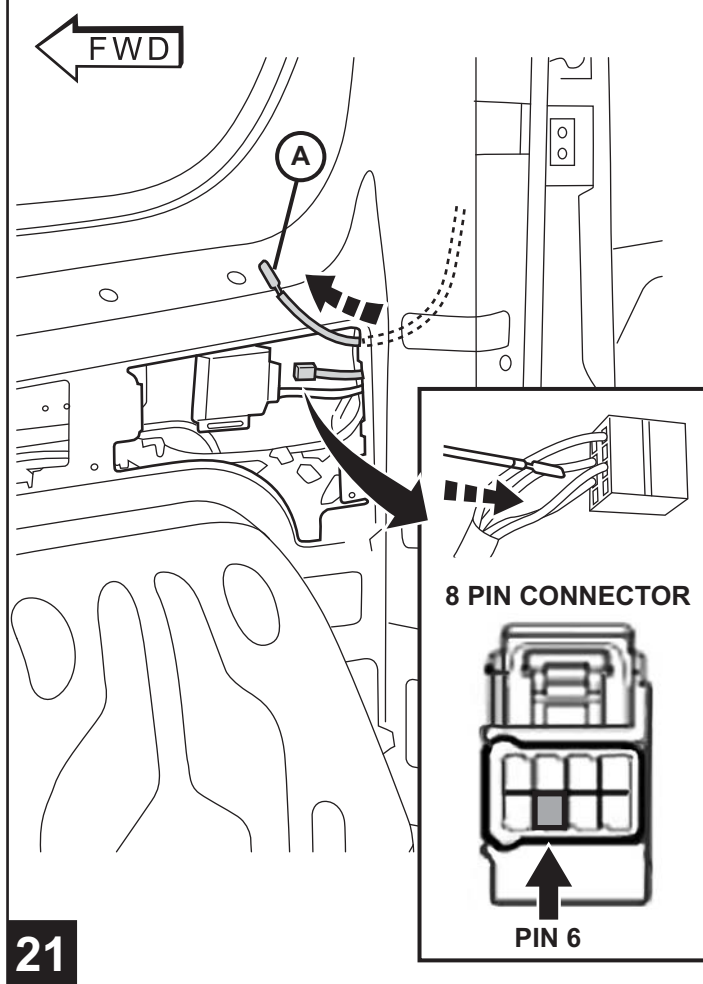
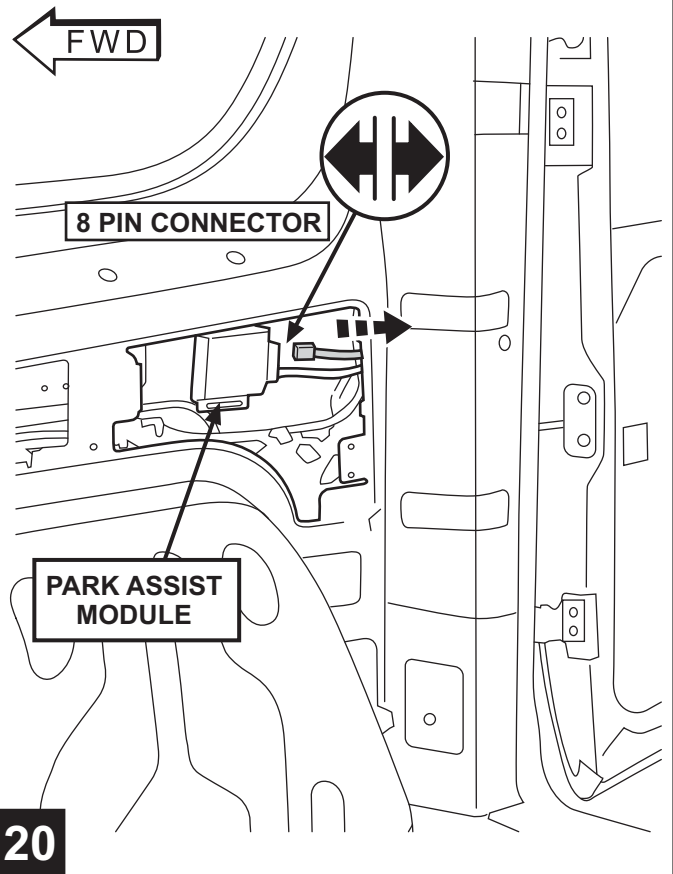
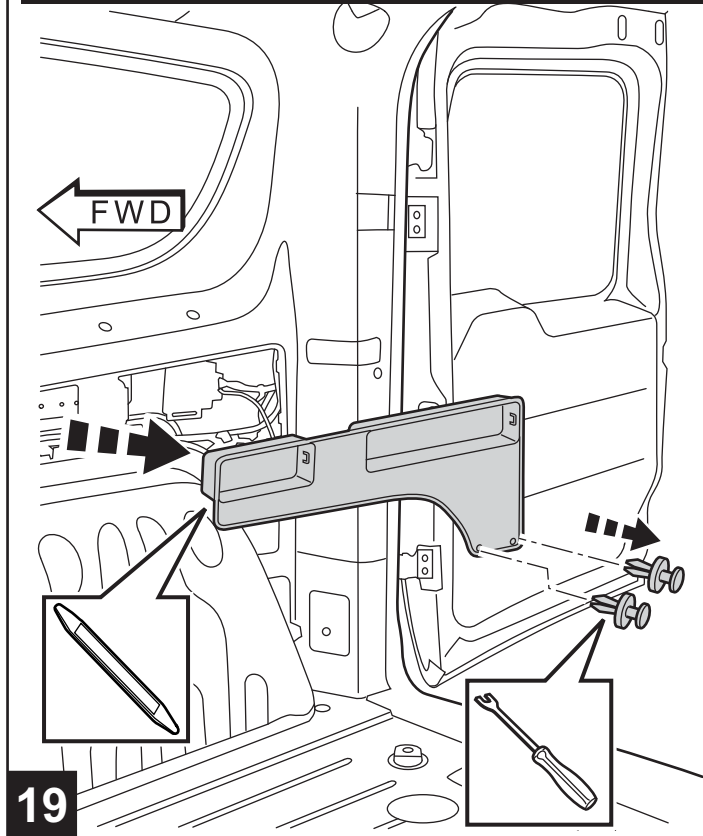
14

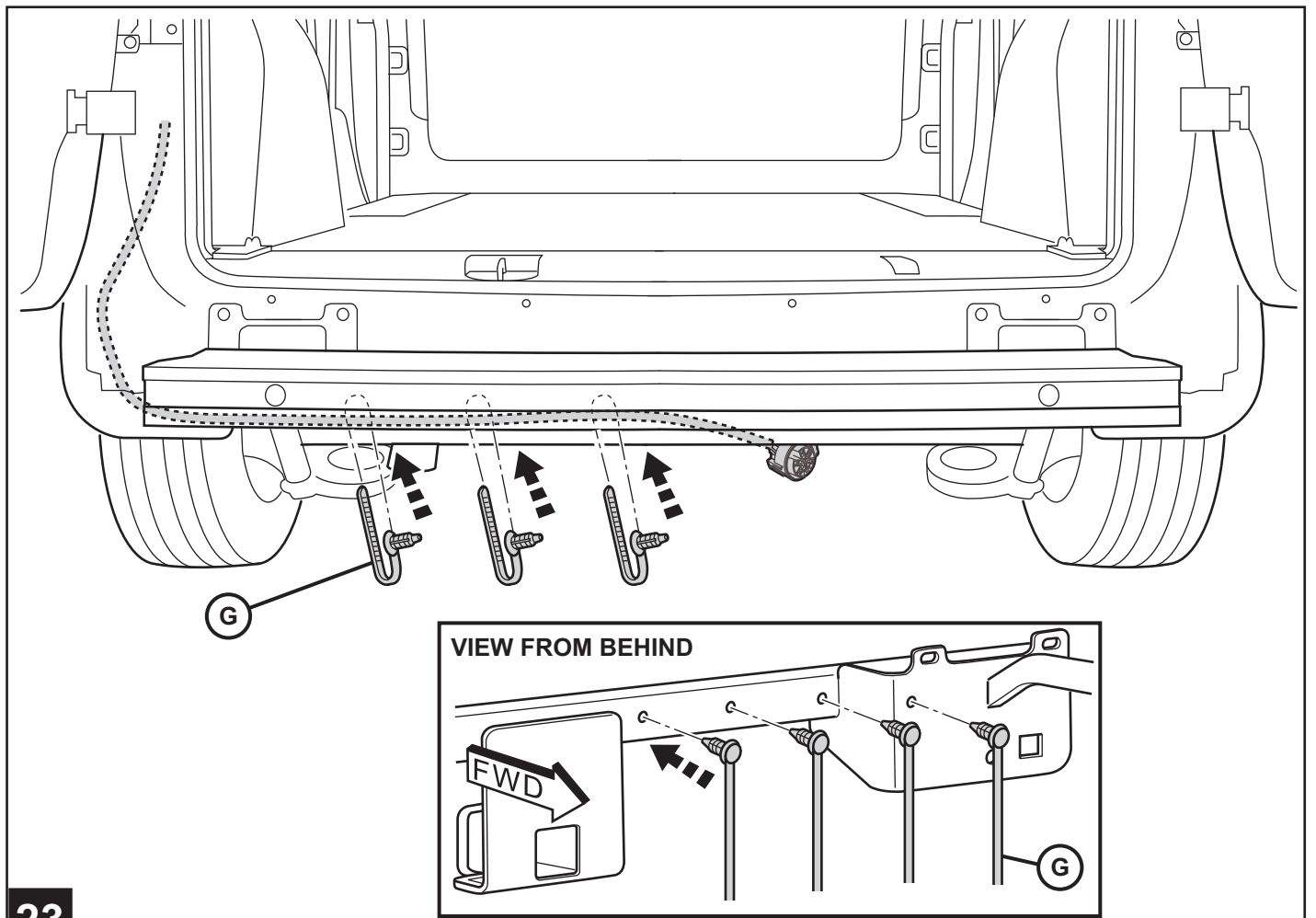


15

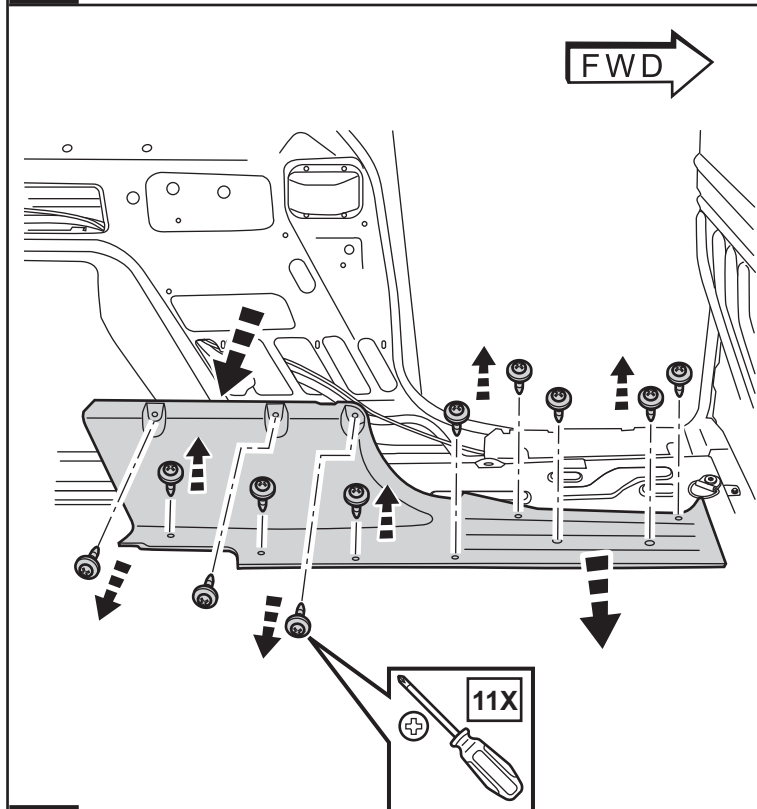


IF EQUIPPED WITH PARK ASSIST SENSORS

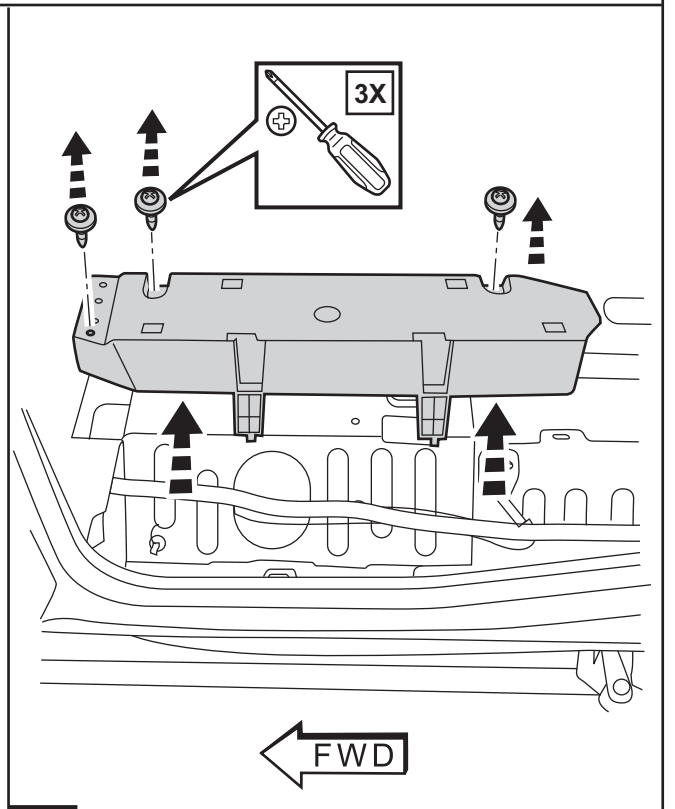




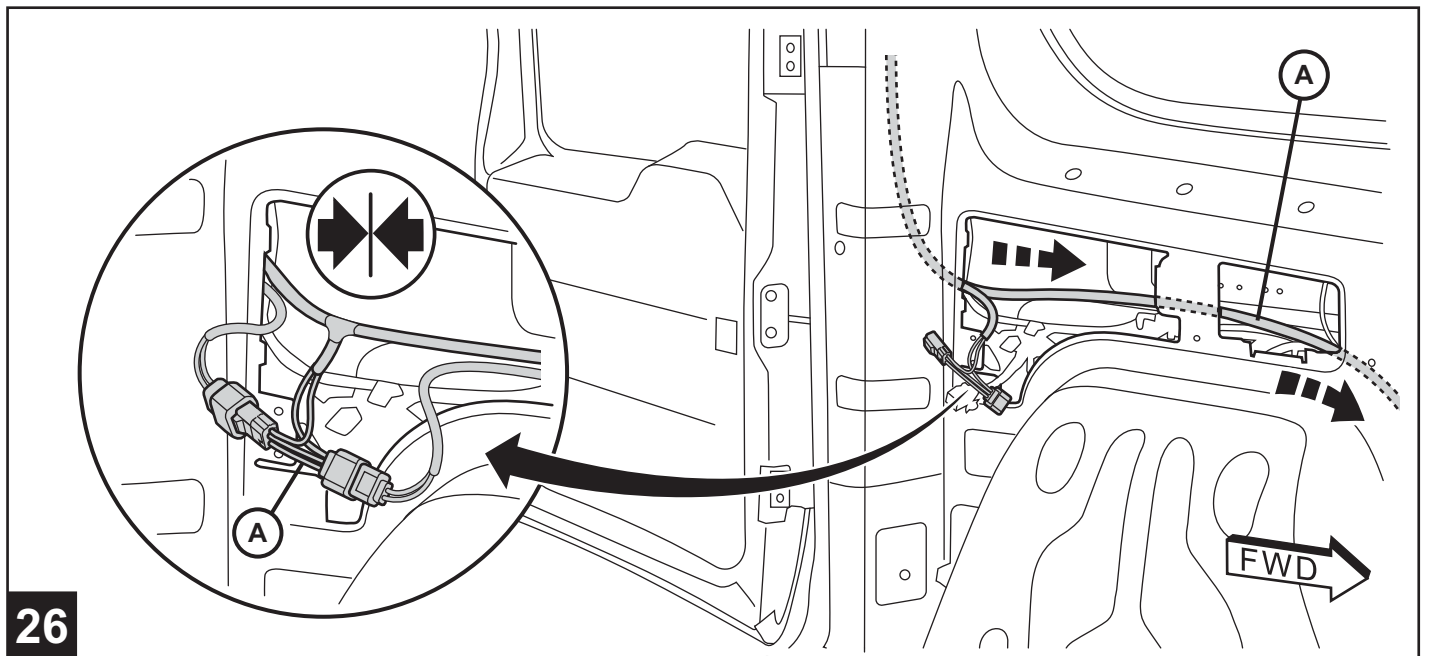
23



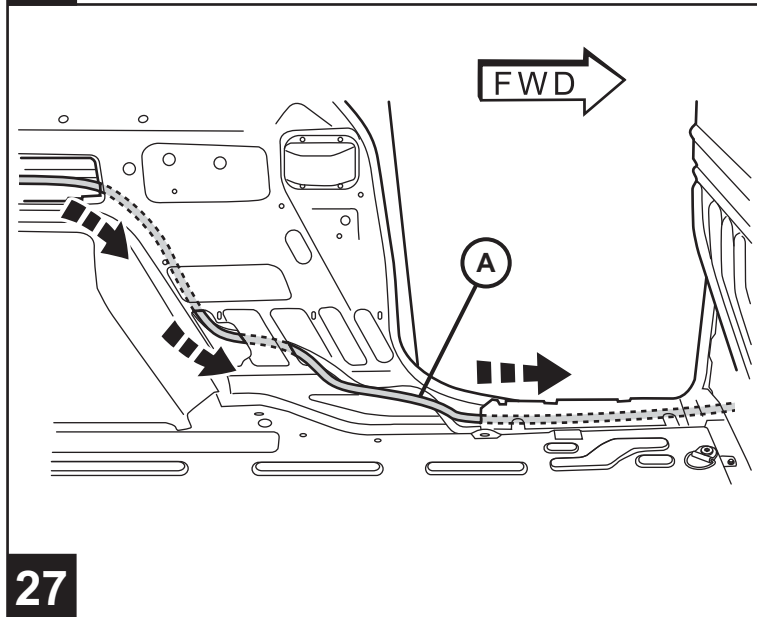
24



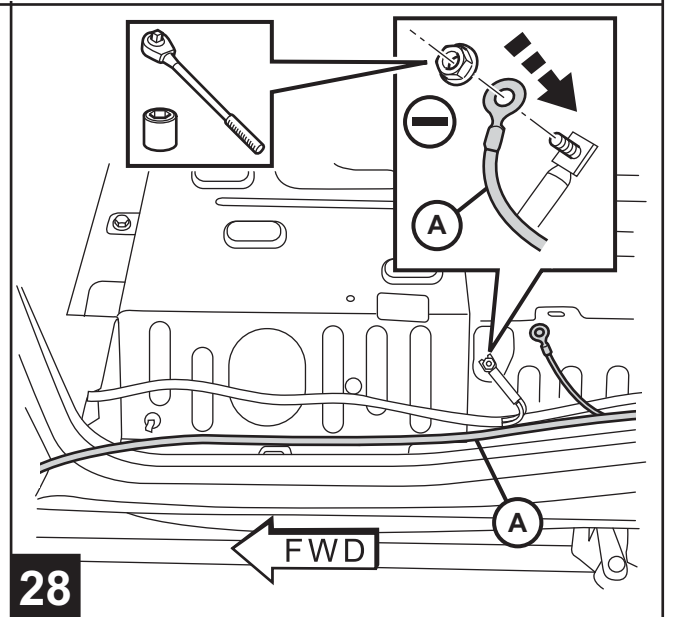
25



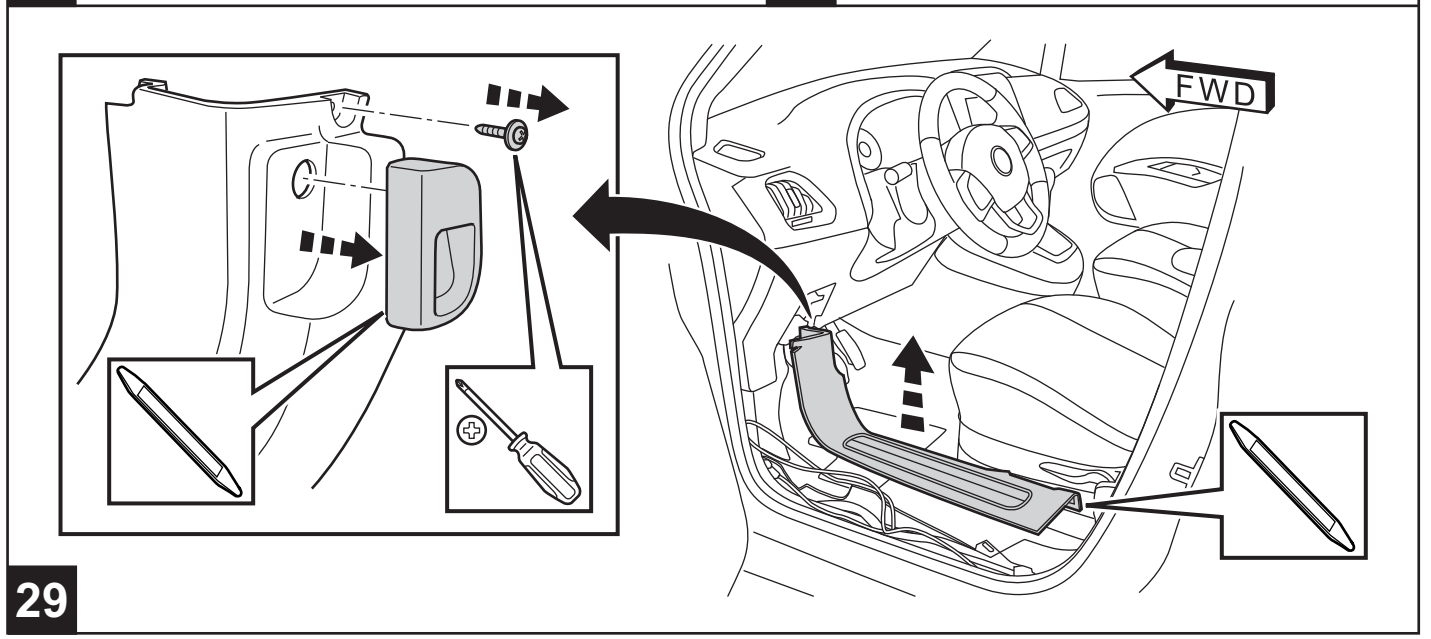
26



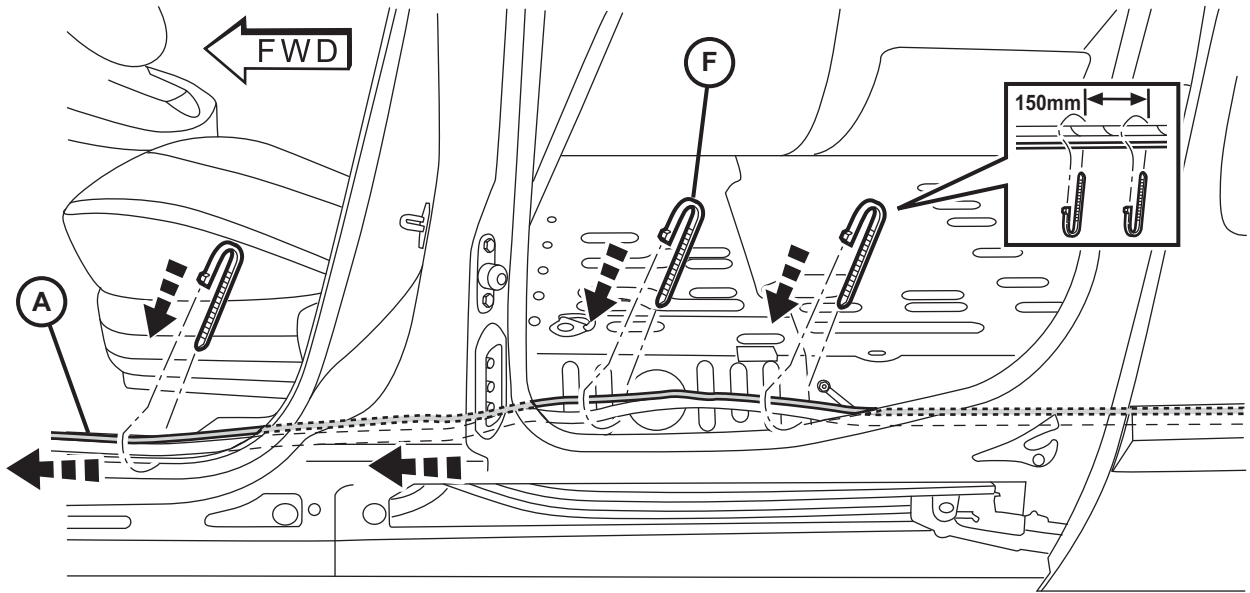
27



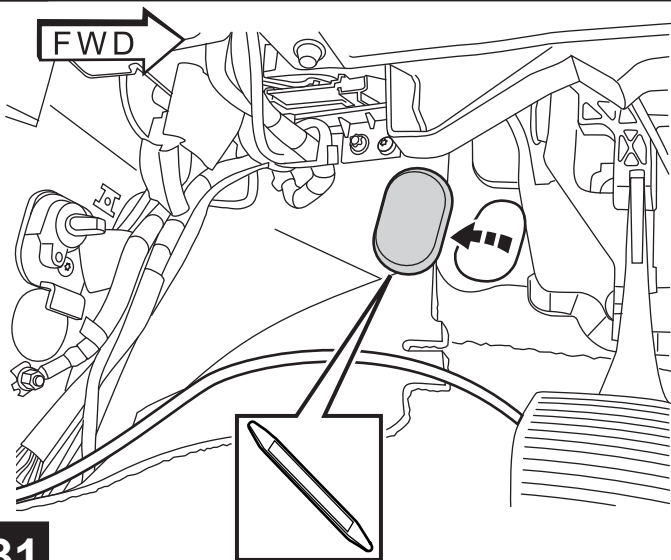
28



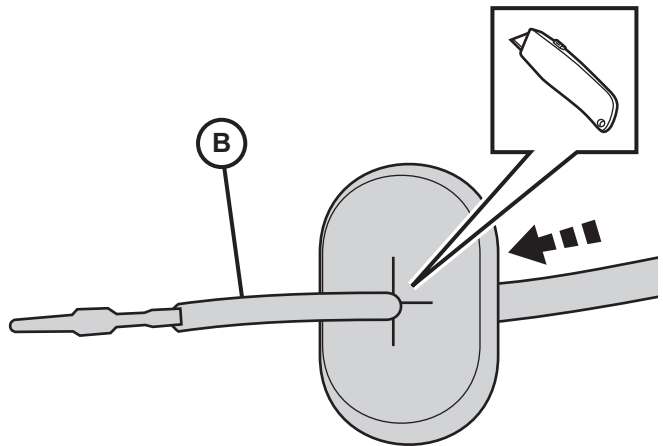
29



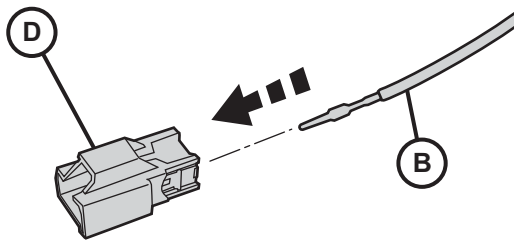
30



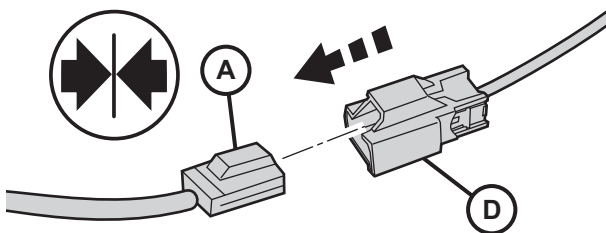
31



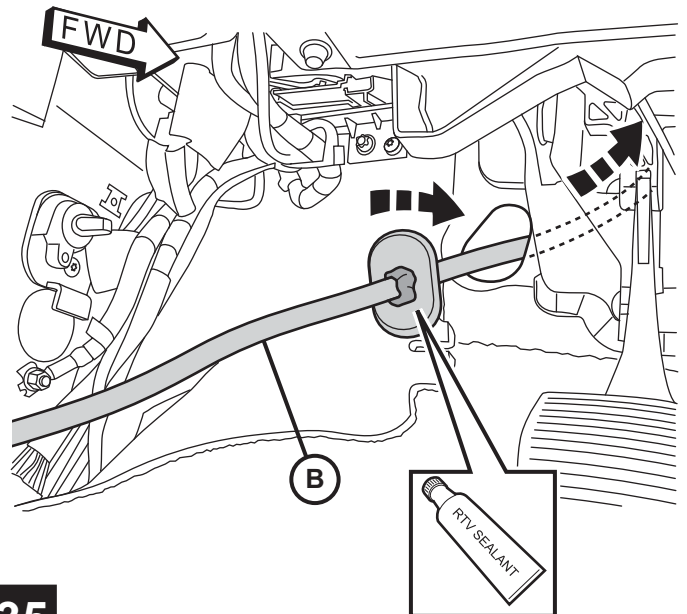
32



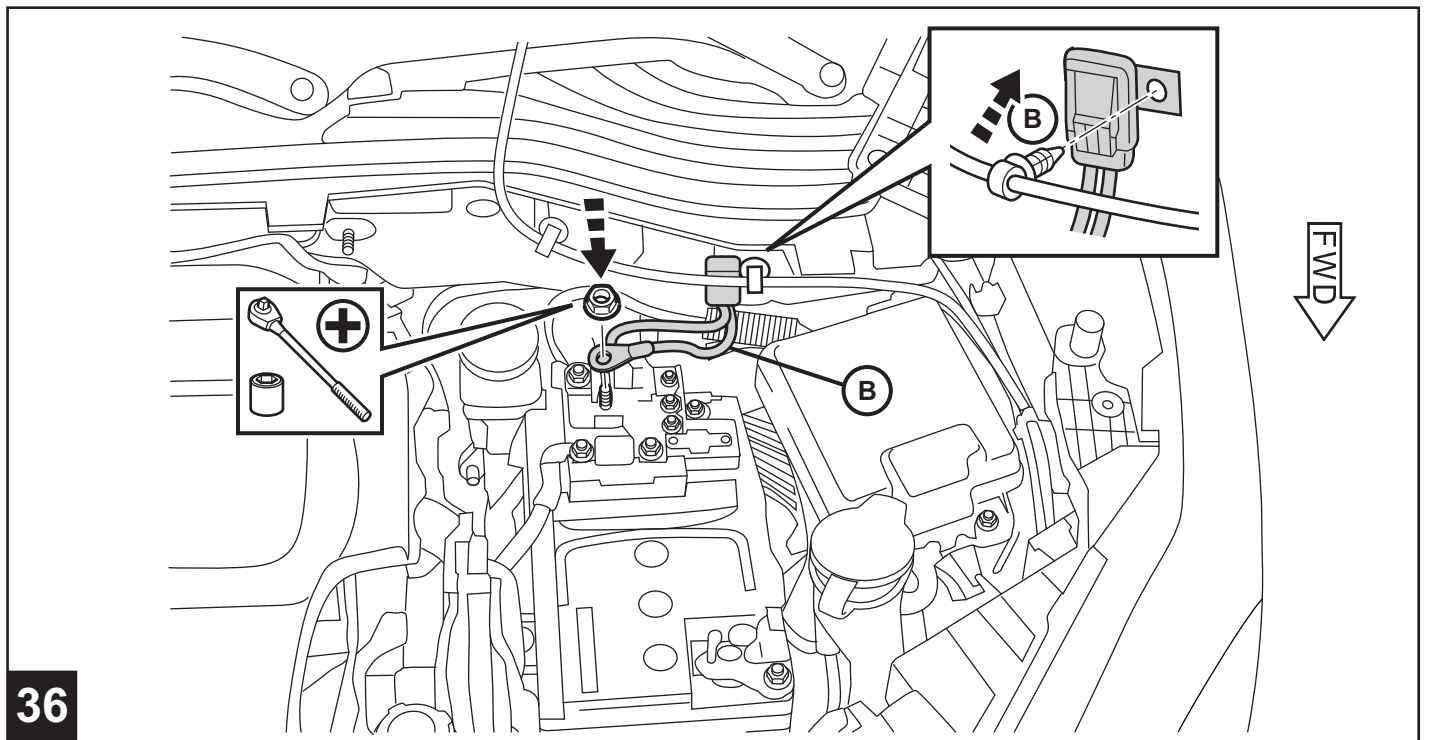
33



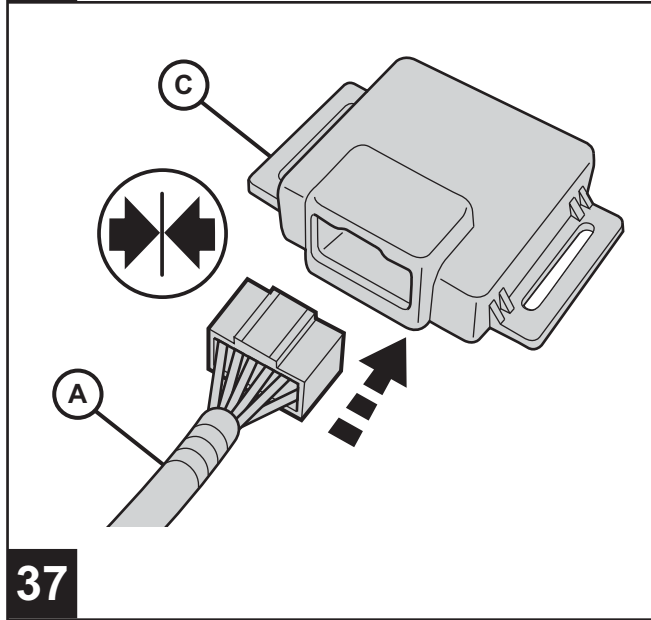
34



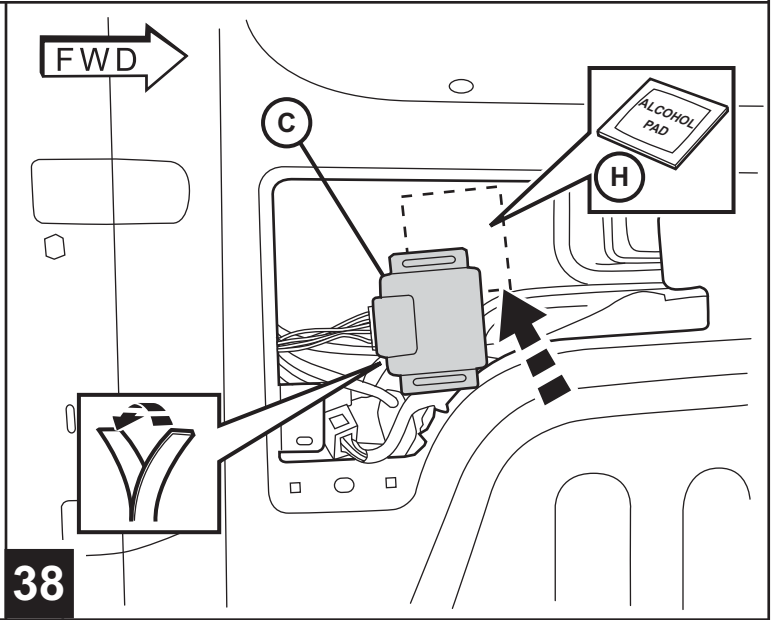
35



36



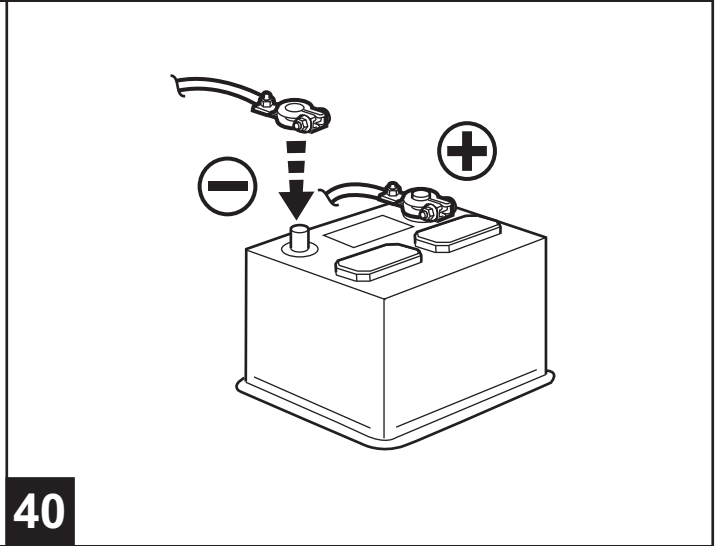
37



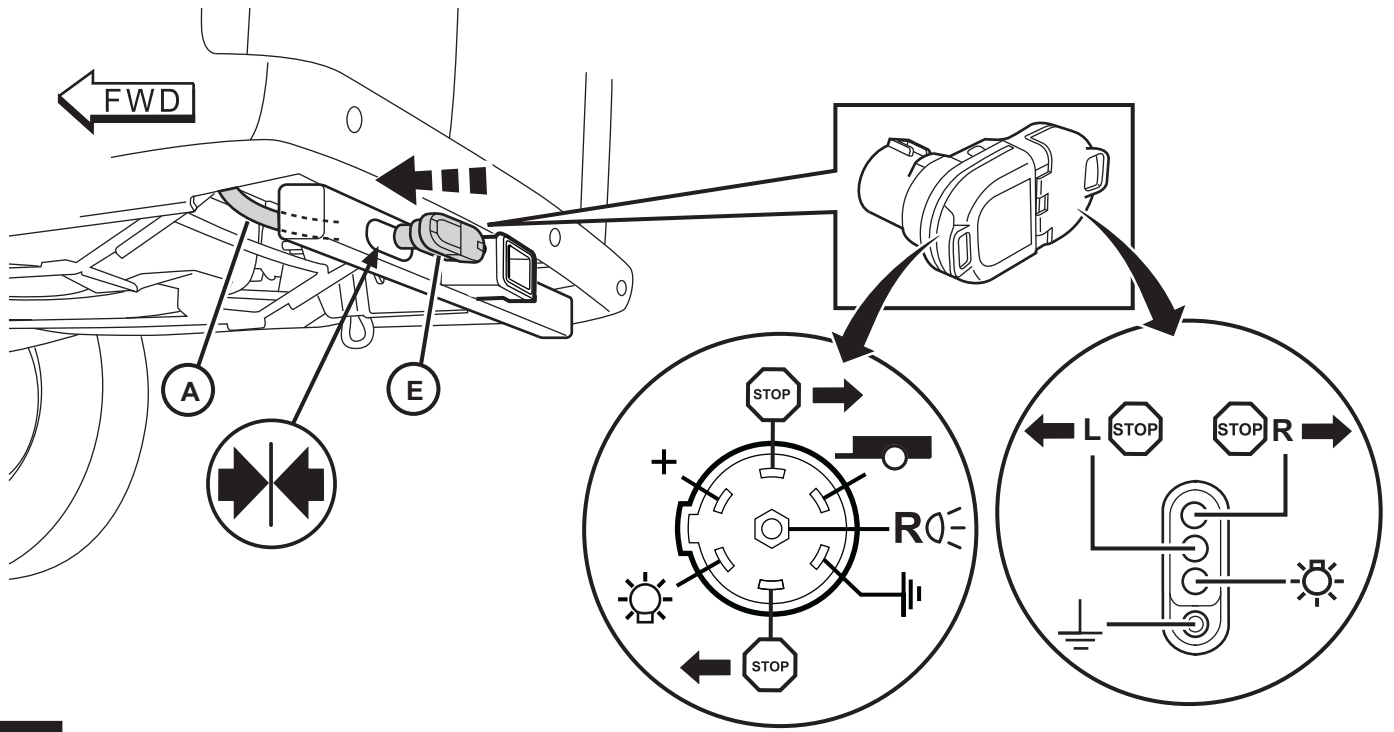
38

REVERSE STEPS 24, 25, 26 AND 2 THROUGH 11 TO REINSTALL ALL TRIM PANEL AND OTHER BODY COMPONENTS.

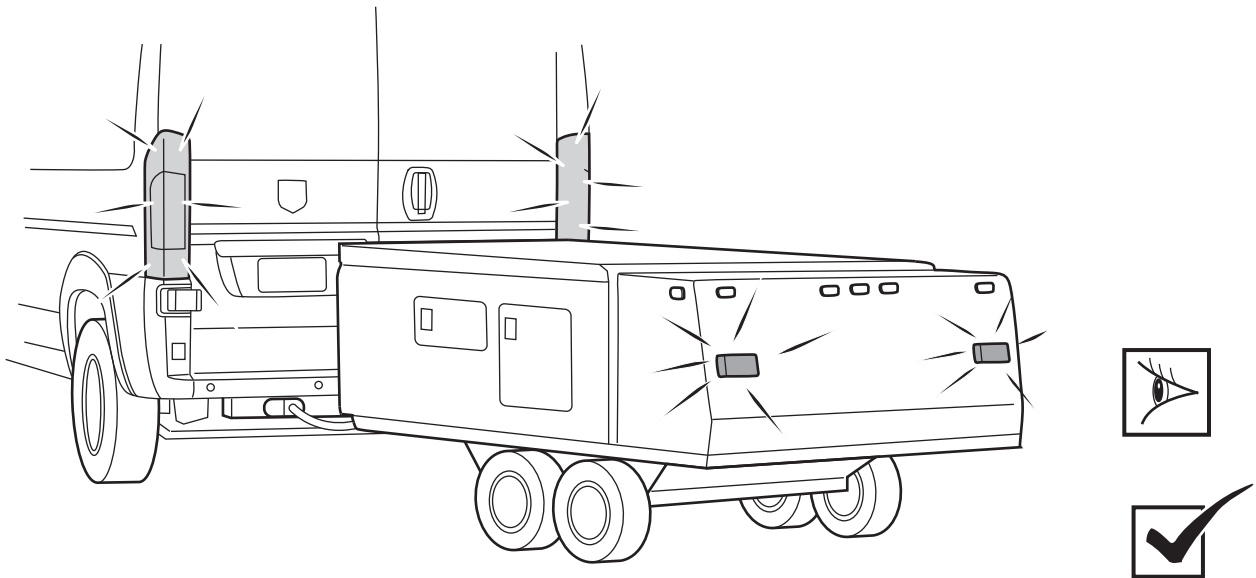
39



40



41



42

HEADLINER

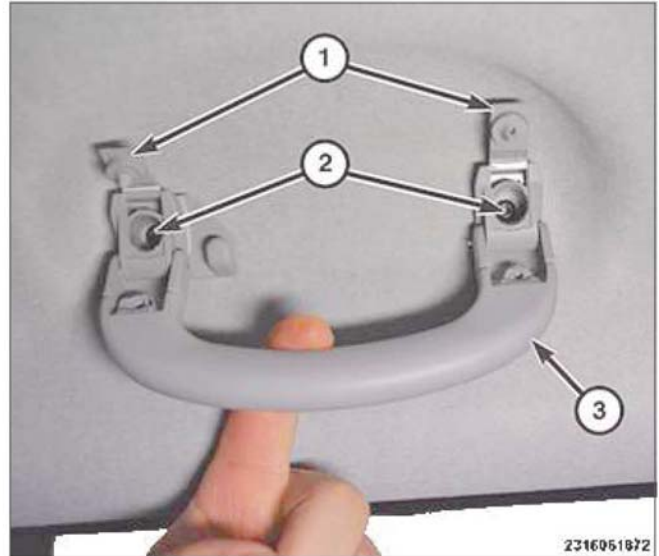
Removal and Installation

REMOVAL

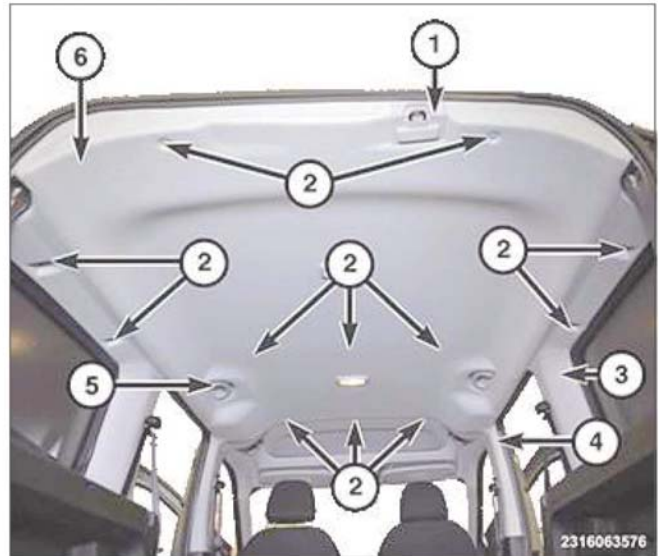
NOTE: In the event the headliner is damaged or creased during removal, it will need to be replaced with a new headliner. Use clean gloves or make sure your hands are clean before removing the headliner.

1. Disconnect and isolate the negative battery cable.
2. Open the screw covers (1), remove the screws (2) and the grab handles.

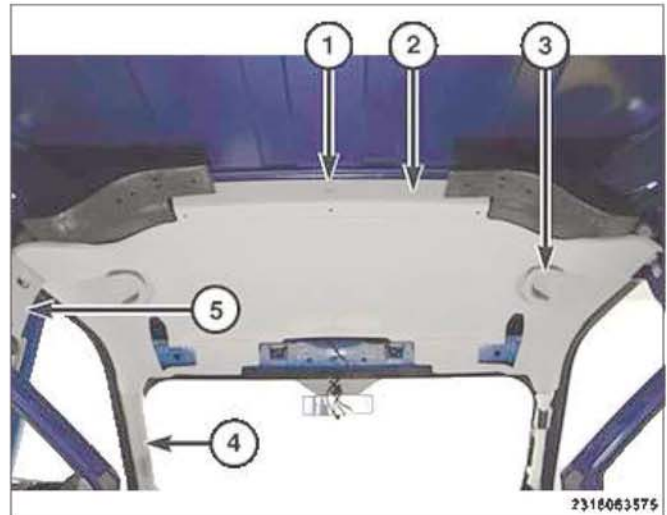
NOTE: It is NOT necessary to remove the front grab handles if only removing the rear headliner.



3. Using a trim stick or equivalent, remove the rear striker cover (1).
4. Remove the C-pillar trim panels (3) ([Refer to 23 - Body/Interior/PANEL, C-Pillar Trim/Removal and Installation](#)).
5. Loosen the weatherstrip at the top of the door openings.
6. Loosen the top of the upper B-pillar trim panels (4) ([Refer to 23 - Body/Interior/PANEL, B-Pillar Trim/Removal and Installation](#)).
7. Remove the push fasteners (2).
8. Lower the rear headliner (6) and disconnect the wire harness connectors, then remove.



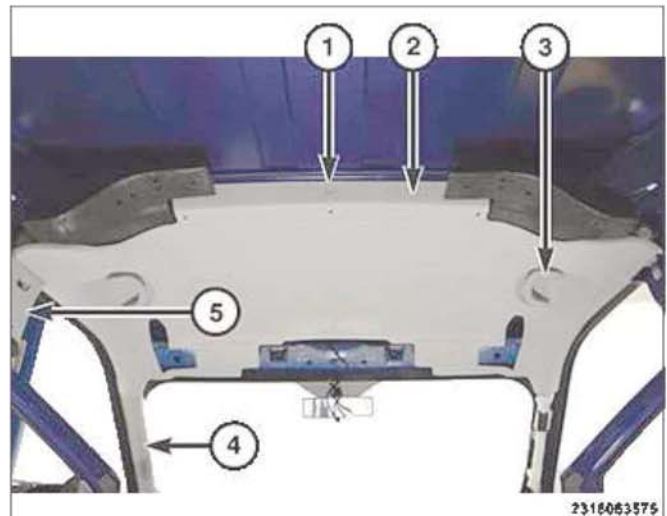
9. Remove the overhead console (Refer to 23 - Body/Interior/CONSOLE, Overhead/Removal and Installation).
10. Remove the A-pillar trim panels (4) (Refer to 23 - Body/Interior/PANEL, A-Pillar Trim/Removal and Installation).
11. Remove the push fastener (1) and remove the front headliner (2).



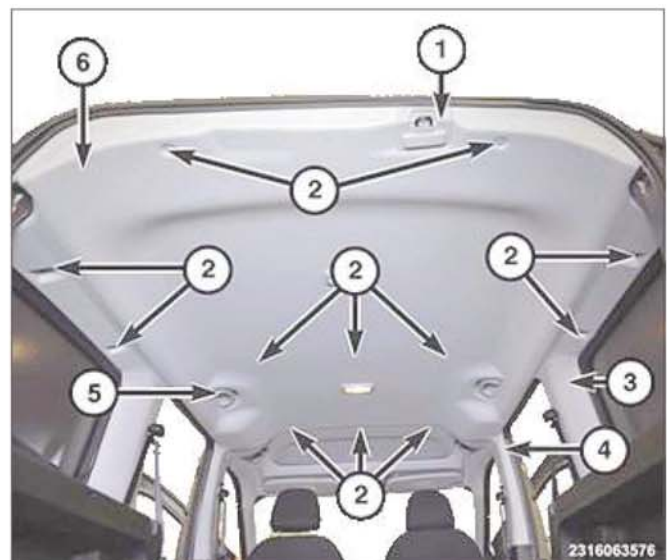
INSTALLATION

NOTE: In the event the headliner is damaged or creased during installation, it will need to be replaced with a new headliner. Use clean gloves or make sure your hands are clean before removing the headliner.

1. Position the front headliner (2) and install the push fastener (1).
2. Install the A-pillar trim panels (4) (Refer to 23 - Body/Interior/PANEL, A-Pillar Trim/Removal and Installation).
3. Install the overhead console (Refer to 23 - Body/Interior/CONSOLE, Overhead/Removal and Installation).



4. Raise the rear headliner (6) and connect the wire harness connectors.
5. Install the push fasteners (2).
6. Attach the top of the upper B-pillar trim panels (4) (Refer to 23 - Body/Interior/PANEL, B-Pillar Trim/Removal and Installation).
7. Install the C-pillar trim panels (3) (Refer to 23 - Body/Interior/PANEL, C-Pillar Trim/Removal and Installation).
8. Install the rear striker cover (1).
9. Install the weatherstrip at the top of the door openings.
10. Position the grab handles (5) and install the screws. Tighten the screws securely then install the screw covers.
11. Connect the negative battery cable.

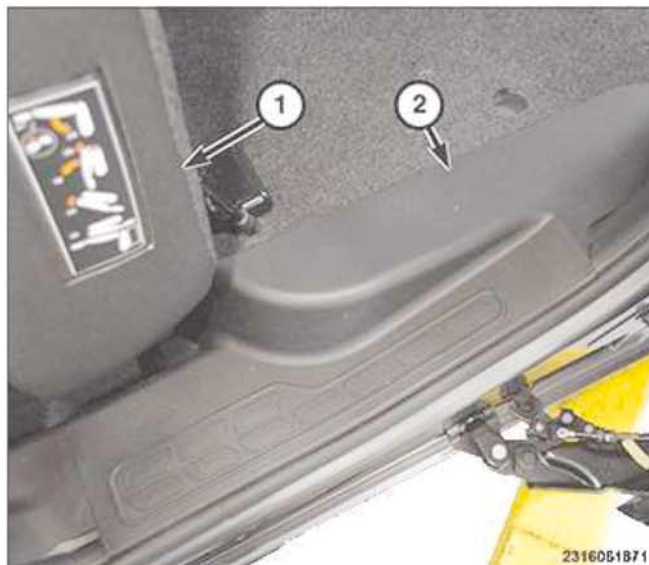


PANEL, Quarter Trim

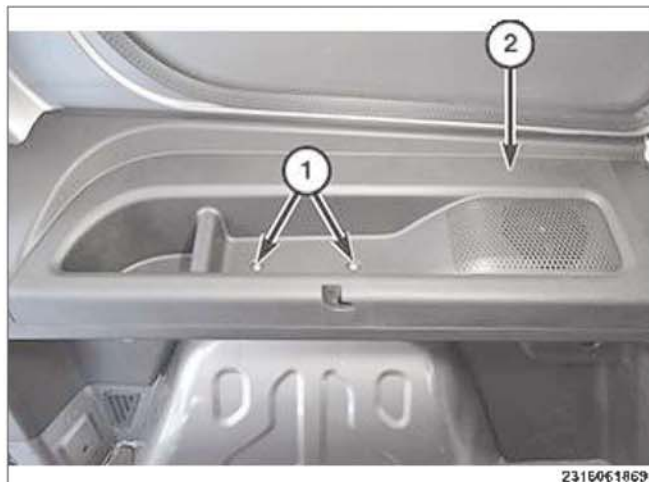
Removal and Installation

REMOVAL

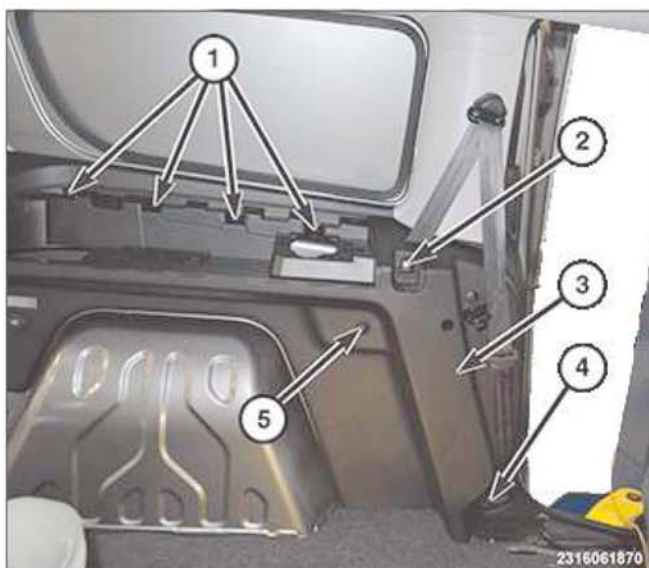
1. Fold the rear seat (1) forward.
2. Lift and remove the rear door scuff plate (2).



3. Remove the screw (1), then use a trim stick and remove the quarter trim panel pocket (2).

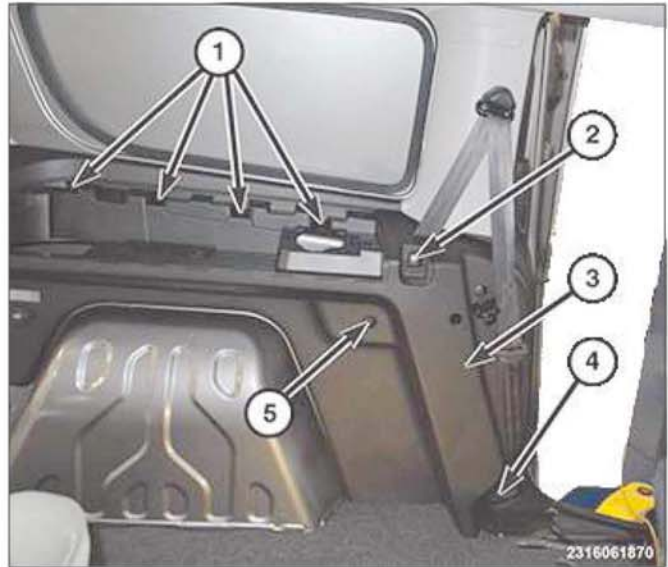


4. Remove the seat belt lower anchor bolt (4).
5. Remove the screws (1, 2, 5).
6. Using a trim stick or equivalent, loosen the quarter trim panel (3).
7. Disconnect the wire harness connectors and remove the quarter trim panel.

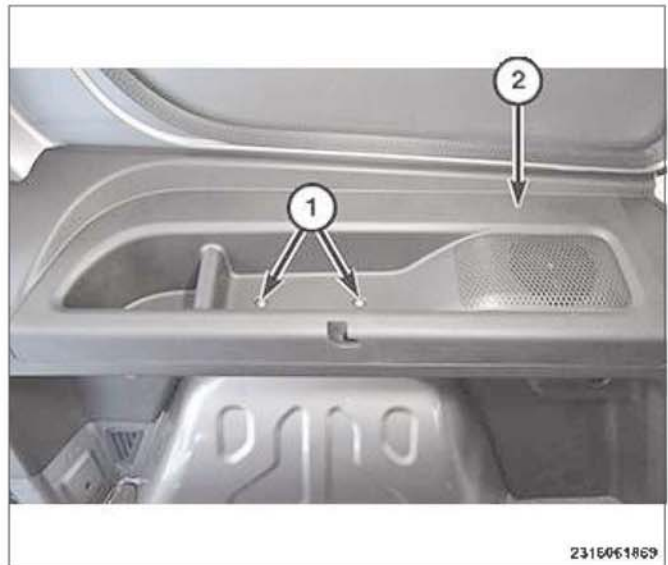


INSTALLATION

1. Position the quarter trim panel (1) in the vehicle and connect the wire harness connectors.
2. Push the quarter trim panel to engage the retaining clips.
3. Install the screws (1, 2, 5) and tighten securely.
4. Install the seat belt lower anchor bolt (4) ([Refer to 10 - Restraints/RETRACTOR, Seat Belt/Installation](#)).



5. Install the quarter trim panel pocket (2) and tighten the screws (1) securely.



6. Install the rear door scuff plate (2).

