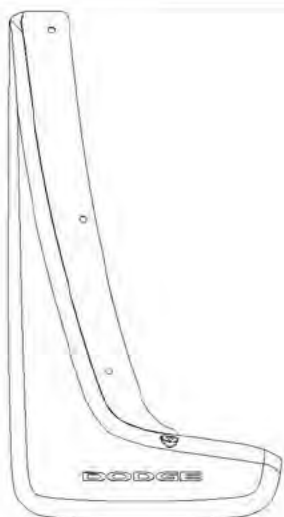




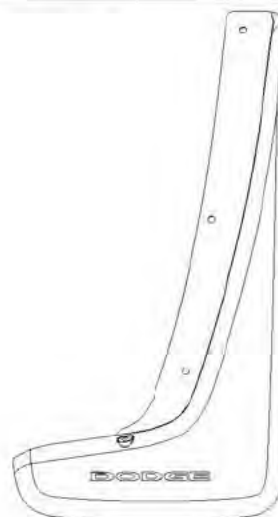
# Dodge Durango

## REAR MOLDED SPLASH GUARDS

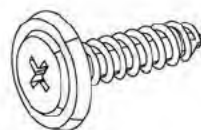
A



B

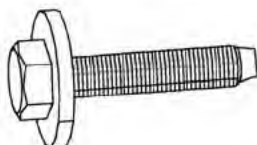


C



x2

D



x4

E



x4

F



10 mm

G



H

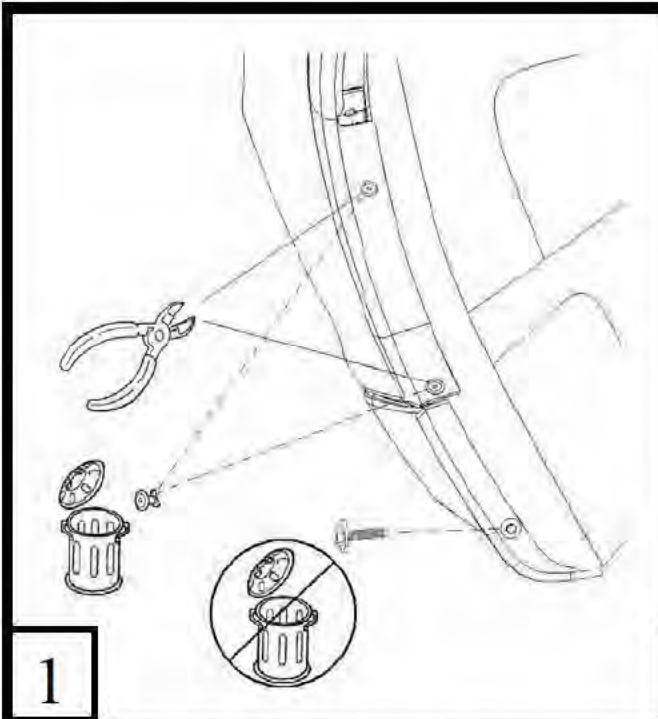


I

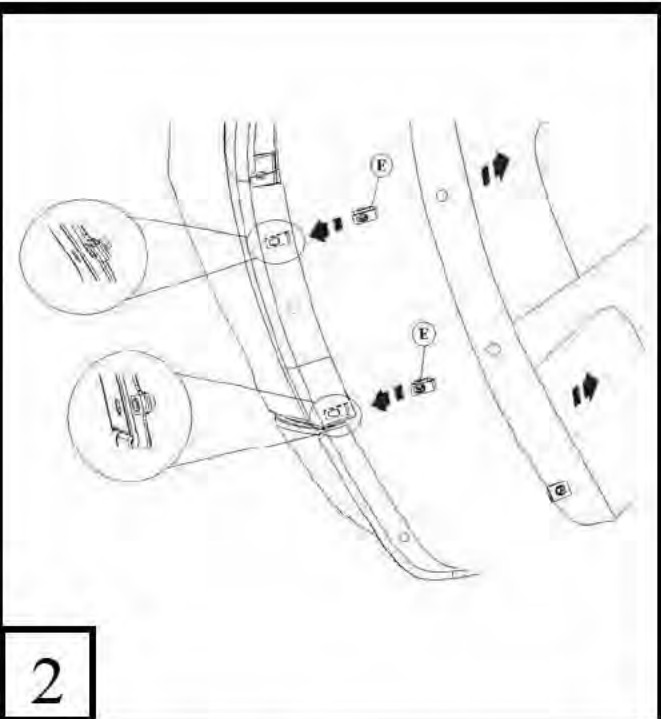


3/32"

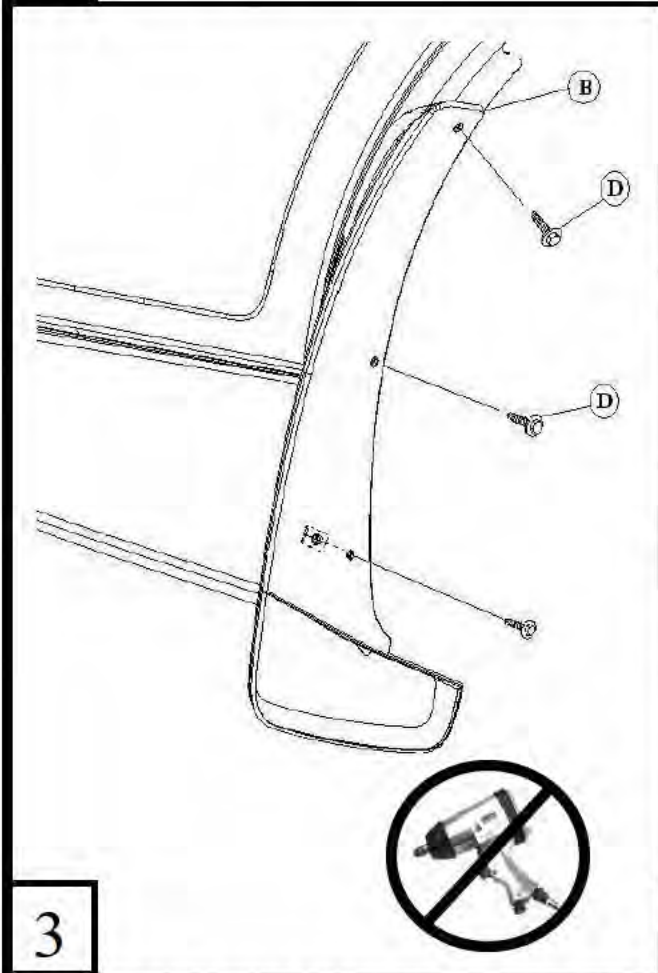
NOT INTENDED FOR OFF-ROAD USE



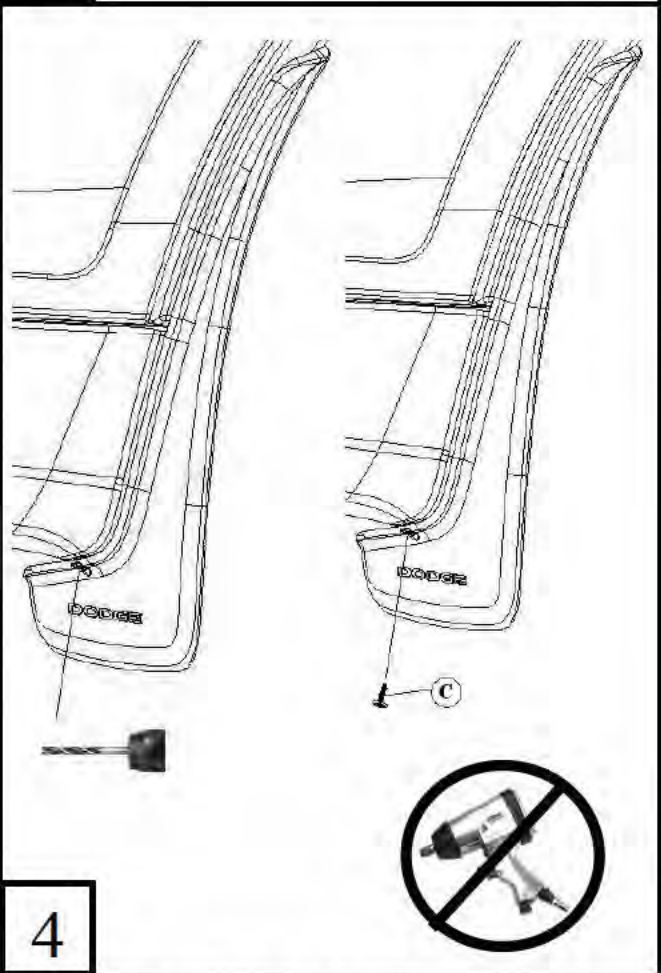
1



2



3



4

DO NOT USE POWER SCREWDRIVER TO TIGHTEN SCREWS. DO NOT OVERTIGHTEN (2 lb-in MAX)  
 NE PAS UTILISER DE TOURNEVIS ELECTRIQUE POUR SERRER LES VIS. PAS TROP SERRER.  
 NO USAR DASARMADOR ELECTRICO PARA APRETAR LOS TORNILLOS. NO FORZAR.