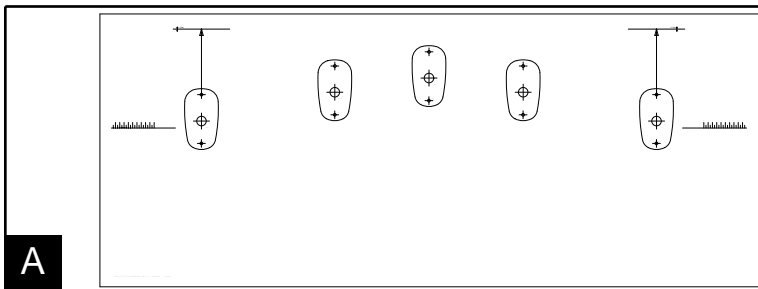
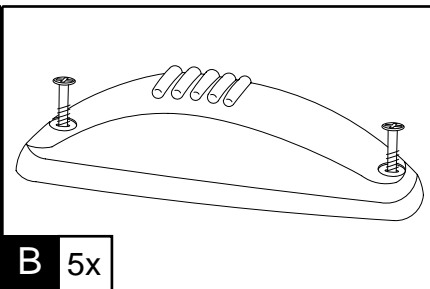




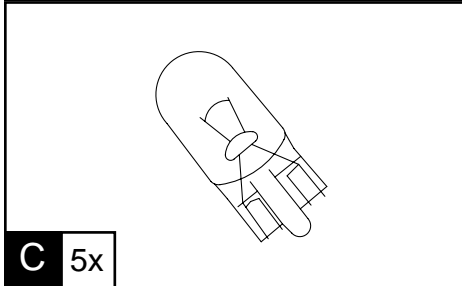
RAM Clearance Lights



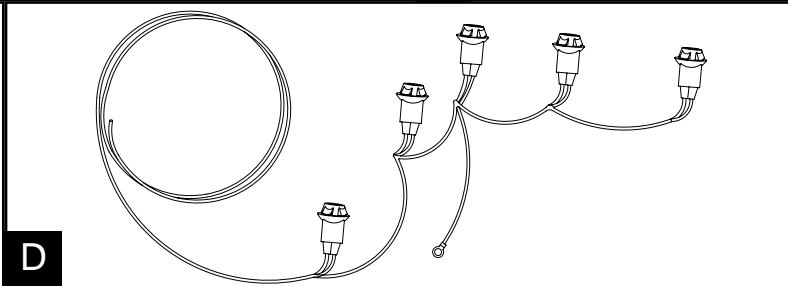
A



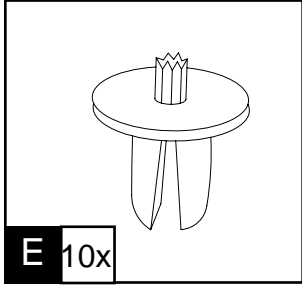
B 5x



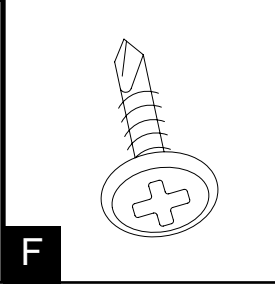
C 5x



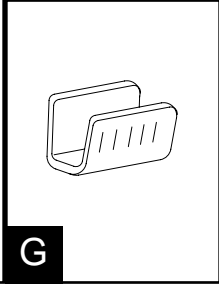
D



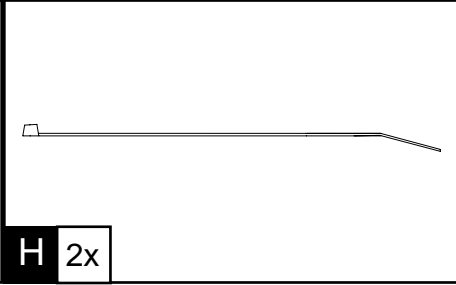
E 10x



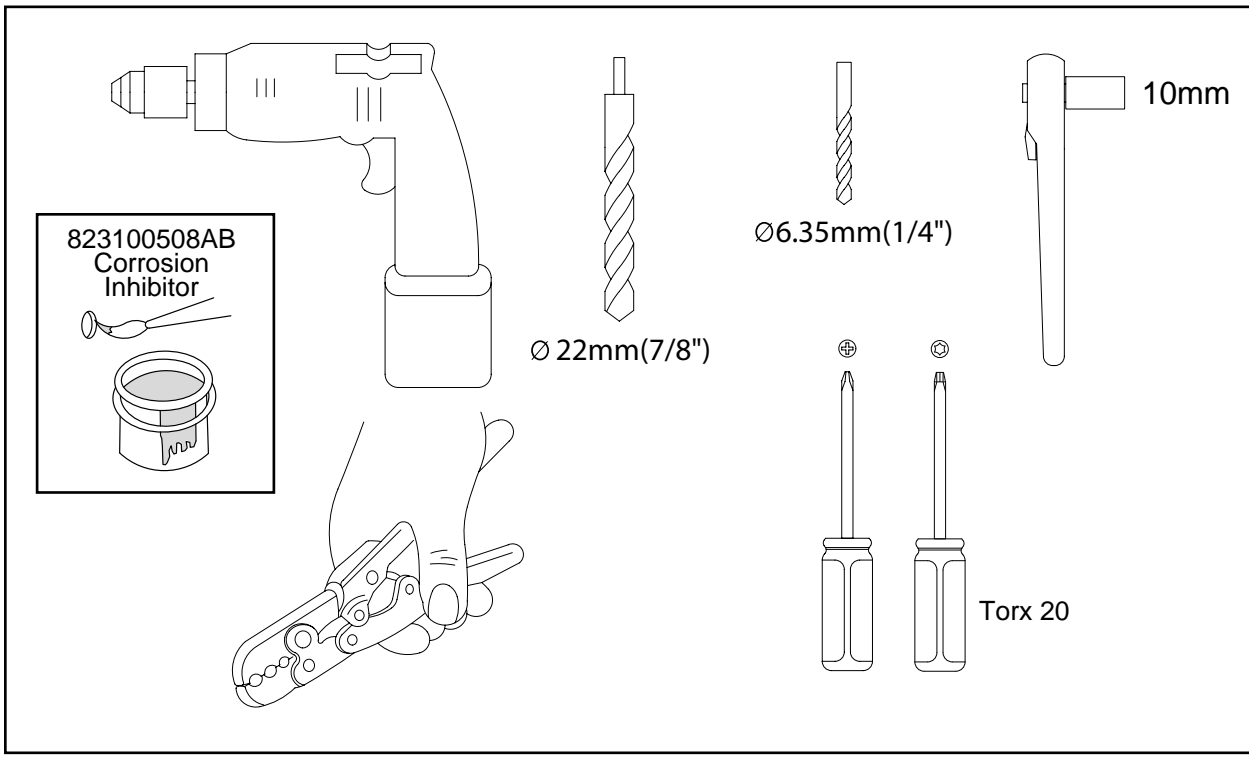
F



G



H 2x



823100508AB
Corrosion
Inhibitor

Ø 22mm(7/8")

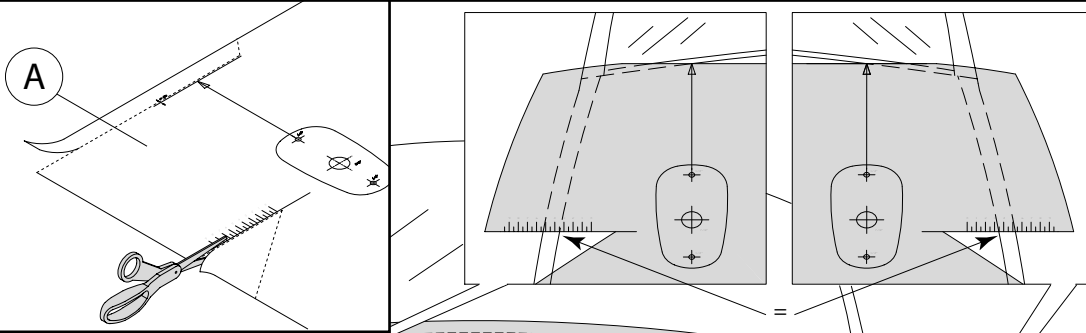
Ø6.35mm(1/4")

10mm

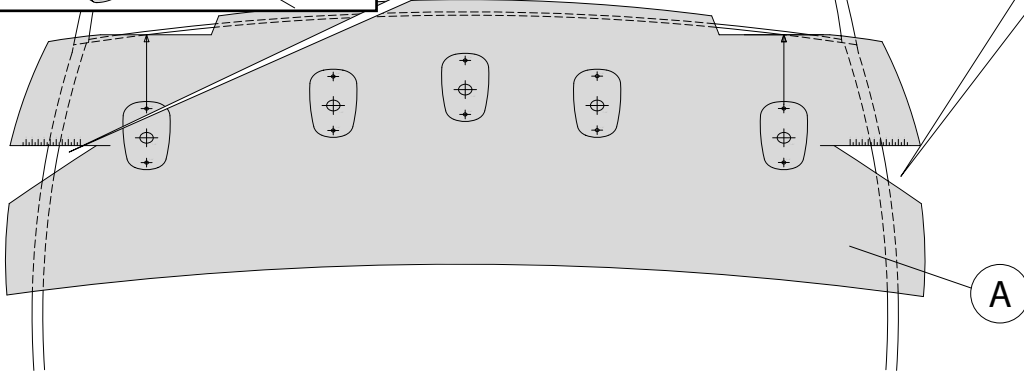
Torx 20

Remove headliner. Refer to vehicle shop manual.
Retire el toldo. Refiérase al manual de tienda del automóvil.
Enlevez le vaigrage. Référez au manuel.

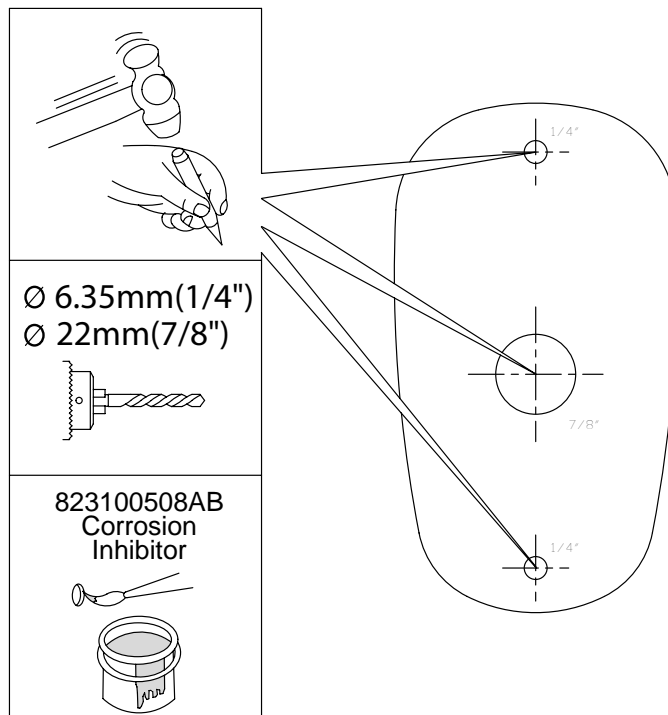
1



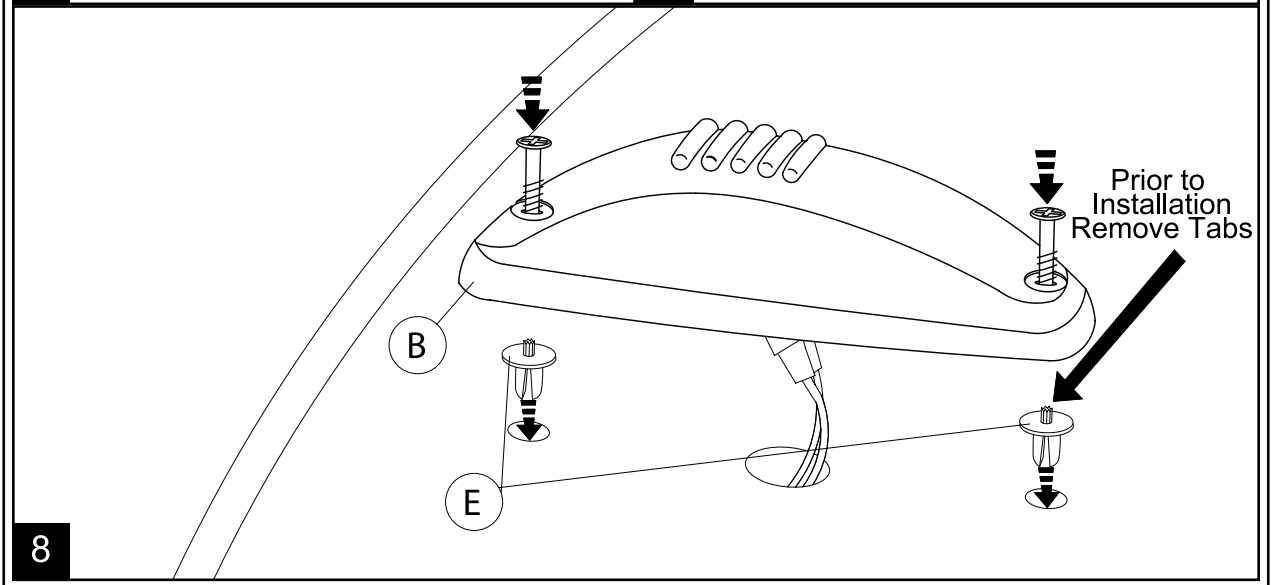
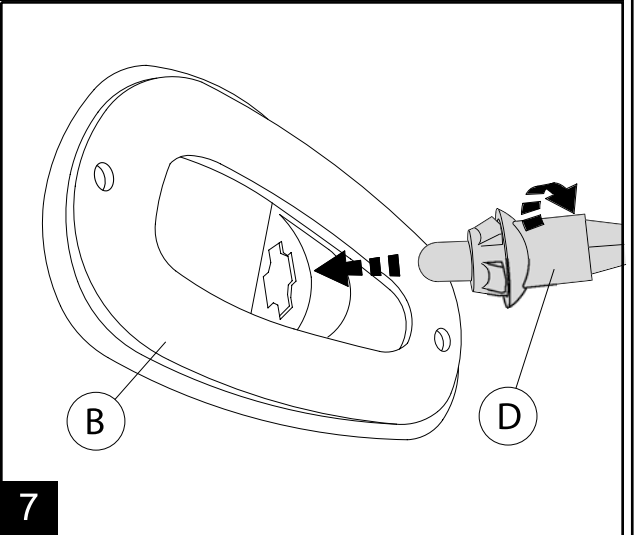
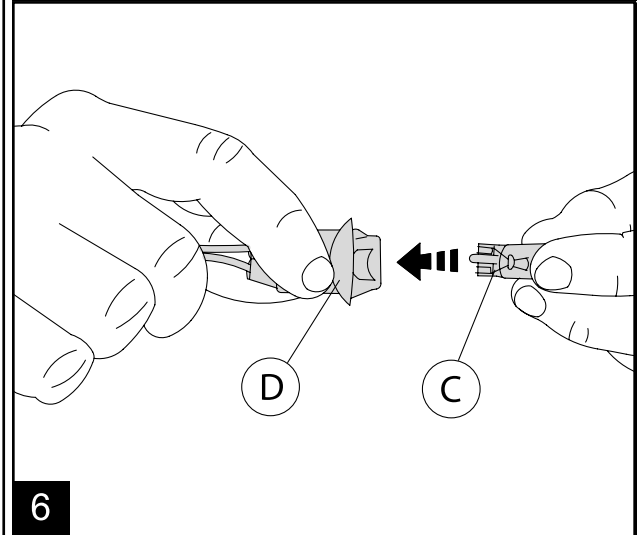
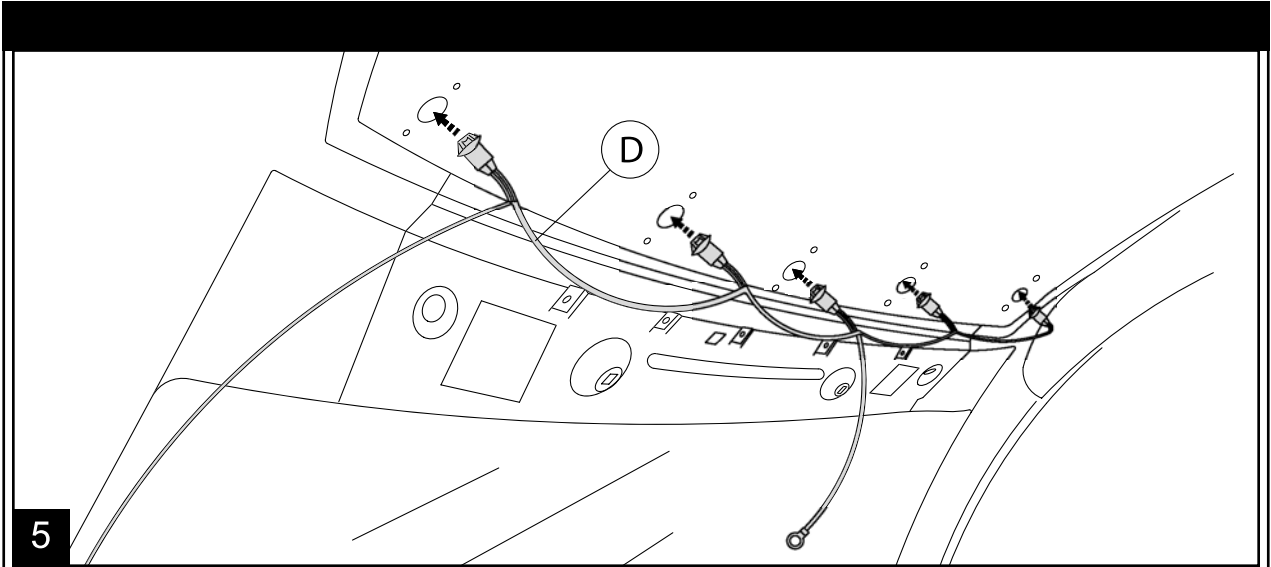
2

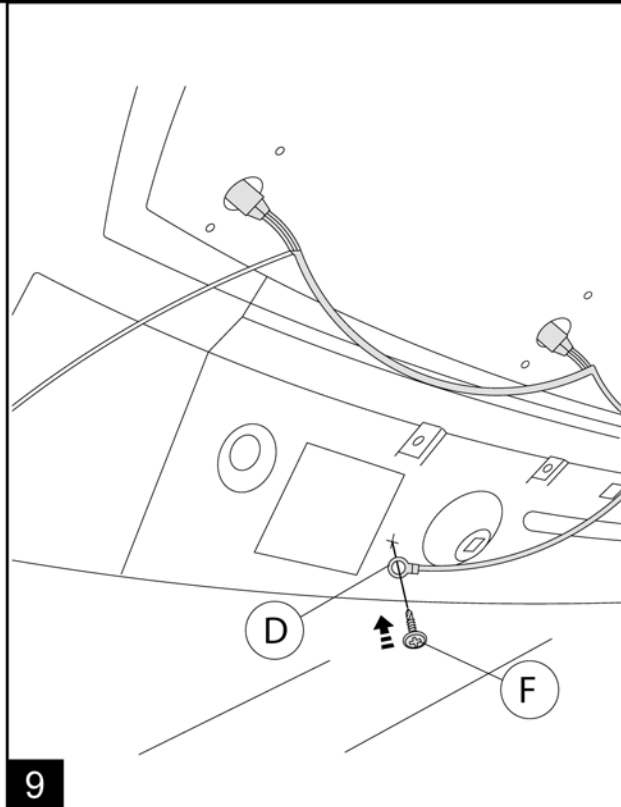


3

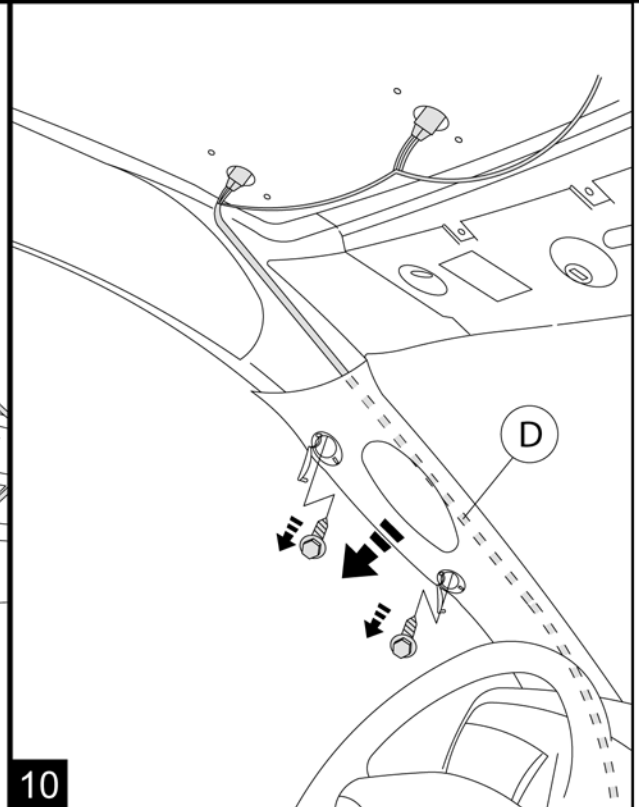


4

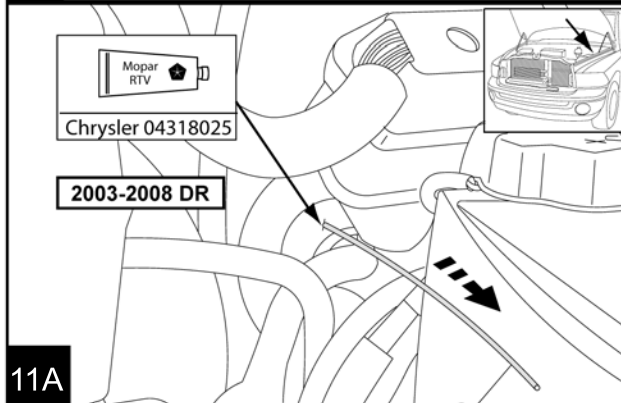




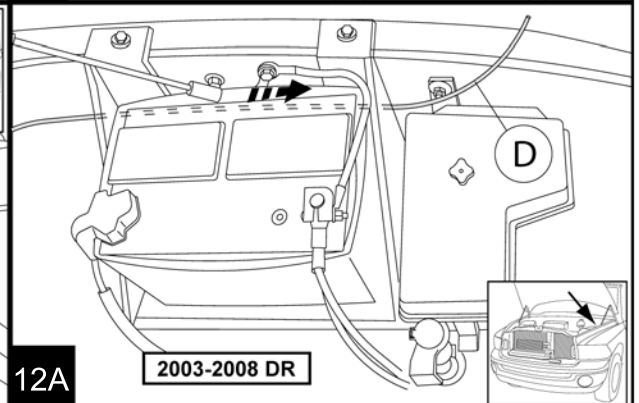
9



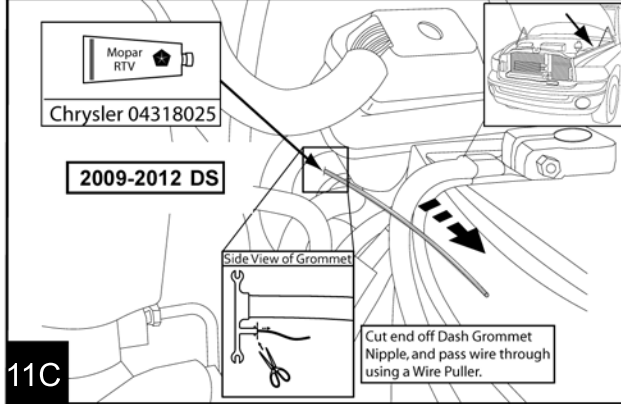
10



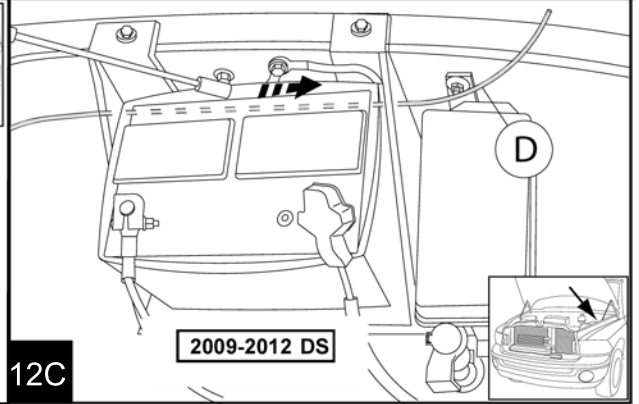
11A



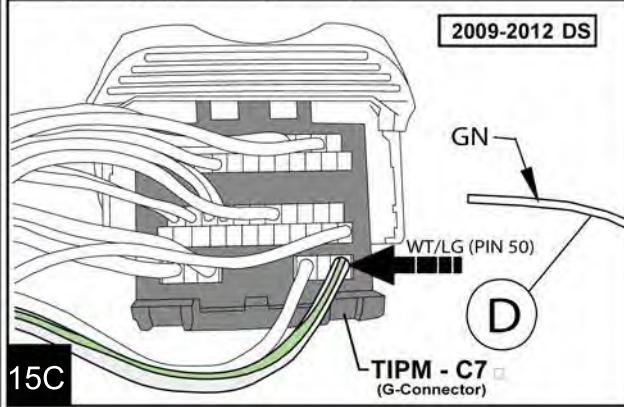
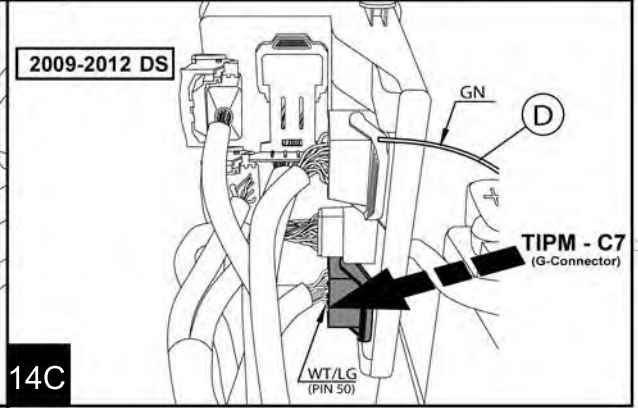
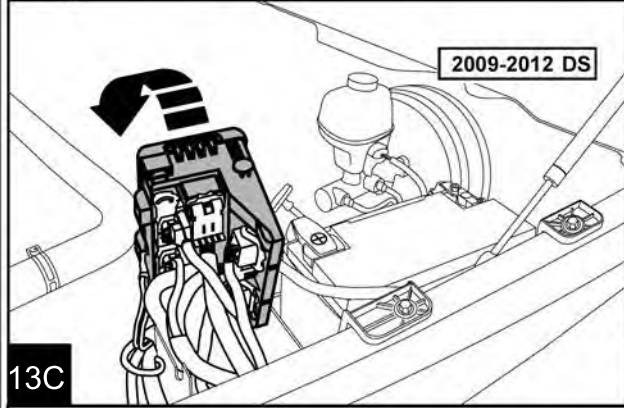
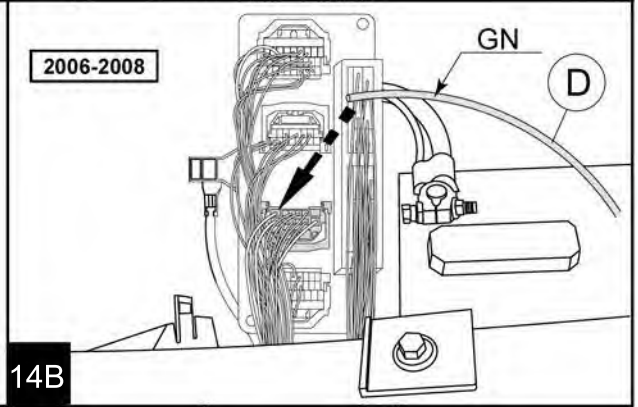
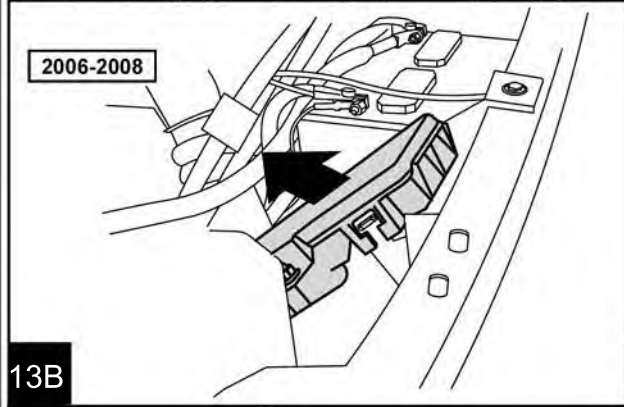
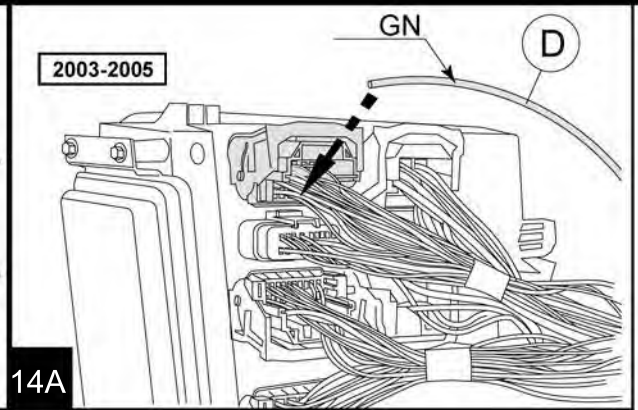
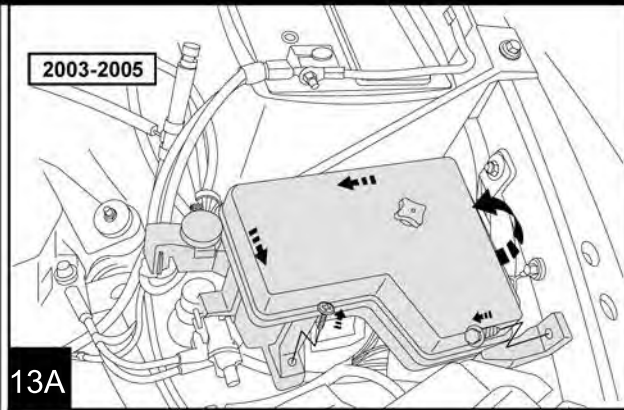
12A



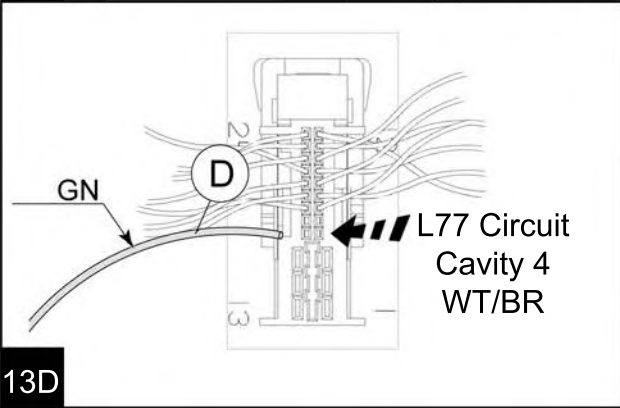
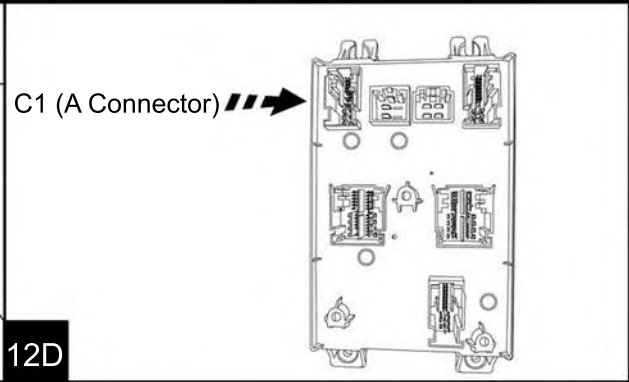
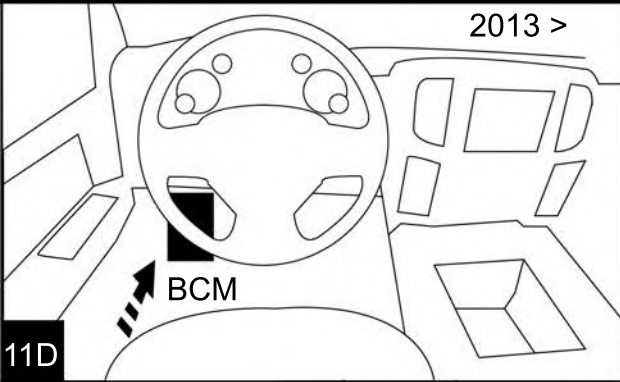
11C



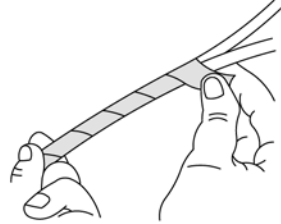
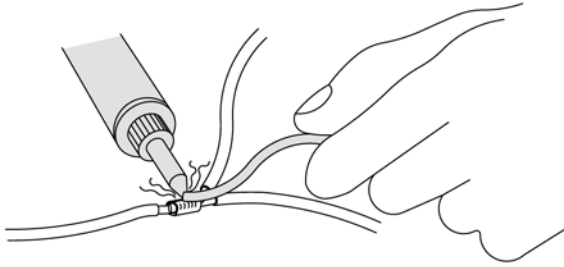
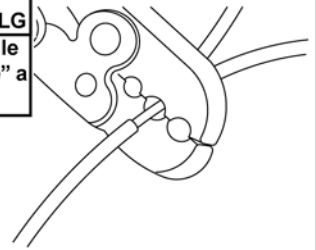
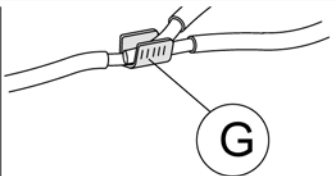
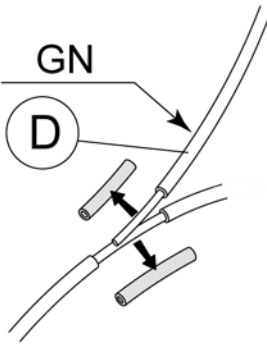
12C



2013 >



'03 and prior - center splice to the "LH Park Lamp" feed at PDC, Cav #19 = PK/VT	'03 et avant - brancher aux le fil de "garer la lampe gauche" a PDC, Cav #19 = PK/VT
'04 and '05 - center splice to the "LH Park Lamp" feed at PDC, Cav #19 = WT/YL	'04 et '05 - brancher aux le fil de "garer la lampe gauche" a PDC, Cav #19 = WT/YL
'06 - '08 - center splice to the "LH Park Lamp" feed at PDC C9, Cav #10 = WT/GY	'06 -'08 - brancher aux le fil de "garer la lampe gauche" a PDC C9, Cav #10 = WT/GY
'09-'12 - center splice to the "LH Park Lamp" feed at C7 (G-Conn.), Cav #50 = WT/LG	'09-'12 - brancher aux le fil de "garer la lampe gauche" a C7 (G-Conn.), Cav #50 = WT/LG
'13-beyond- center splice to the "LH Park Lamp" feed at L77 Cav #4 = WT/BR	'13- et apres - brancher aux le fil de "garer la lampe gauche" a L77 Cav #4 = WT/BR



16

Turn on lights

Turn off lights

Verify lights turn on

Verify lights turn off