

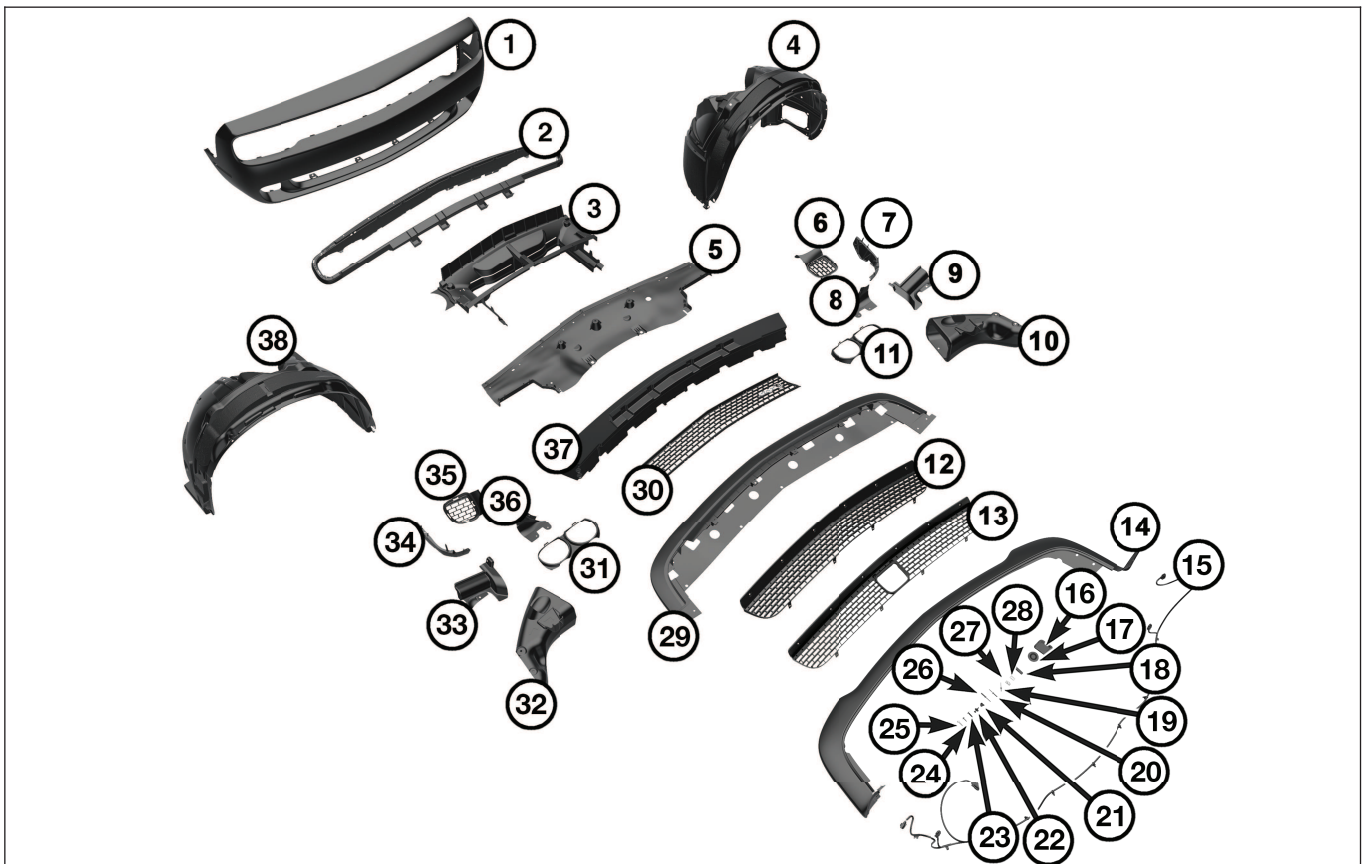


Direct Connection Performance Part

HELLCAT FRONT FASCIA

PART NUMBER: 77072556AB

2015+ CHALLENGER



Item	Description	Part Number	Quantity
1	Fascia Primed	68258731AC	1
2	Upper Grille Reinforcement	68258751AB	1
3	Fascia Support	68395946AB	1
4	Left Side Splash Shield	68184705AF	1
5	Front Belly Pan	68184165AG	1
6	Front Left Fog Lamp Grill	68259763AB	1

Item	Description	Part Number	Quantity
7	Fascia Support Bracket Kit Left	68375014AA	1
8	LH Fascia Closeout	68259515AC	1
9	Radiator Side Air Seal, Left	68396076AA	1
10	Brake Cooling Duct, Left	68228405AD	1
11	LH Headlamp Bezel	68259055AB	1
12	Lower Radiator Grill (without Adaptive Cruise Control)	68259758AA	1
13	Lower Radiator Grille (with Adaptive Cruise Control)	68424897AB	1
14	Air Dam Plastic	68258747AC	1
15	Fog Lamp Delete Harness	68259673AB	1
16	Square Plug	68289233AA	6
17	Round Plug	68289232AA	4
18	Nut, Sill End Cap to Fender	06512199AA	4
19	Rivet	68051424AA	4
20	Rivet	06500898	21
21	Push Pin	06512752AA	8
22	Push Pin	06506132AA	12
23	Push Pin	05116530AA	30
24	Screw	68051432AA	23
25	Hex Flanged Head Screw	06105038AA	1
26	Plastic Rivet	06504737	6
27	U-nut	68051431AA	18
28	Spring Clip	68260254AA	4
29	Air Dam Reinforcement	68260156AC	1
30	Upper Radiator Grill	6NT89RXFAA	1
31	RH Headlamp Bezel	68259054AB	1
32	Brake Cooling Duct, Right	68228404AD	1
33	Radiator Side Air Seal, Right	68396077AA	1

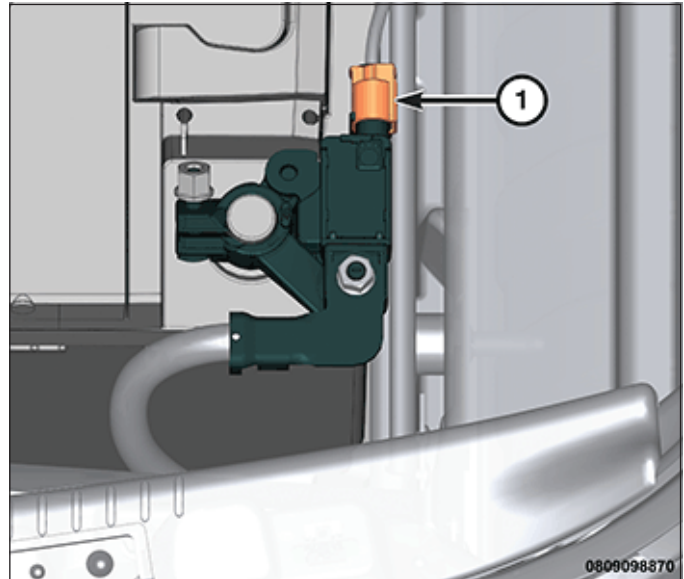
Item	Description	Part Number	Quantity
34	Fascia Support Bracket Kit Right	68375013AA	1
35	Right Fog Lamp Grill	68259762AB	1
36	RH Fascia Closeout	68259514AC	1
37	Front Energy Absorber	68222853AC	1
38	Right Side Splash Shield Front	68184704AF	1

NOTE: Some items may be shipped with more than the quantity needed to perform the procedure.

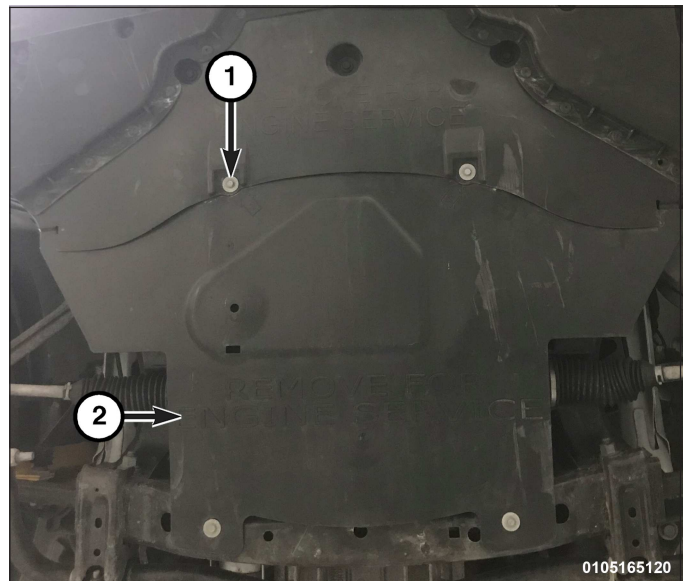
PLEASE READ ALL INSTRUCTIONS PRIOR TO INSTALLATION.
FOR ASSISTANCE CONTACT DIRECT CONNECTION TECH HOTLINE 1-800-998-1110

FRONT FASCIA REMOVAL

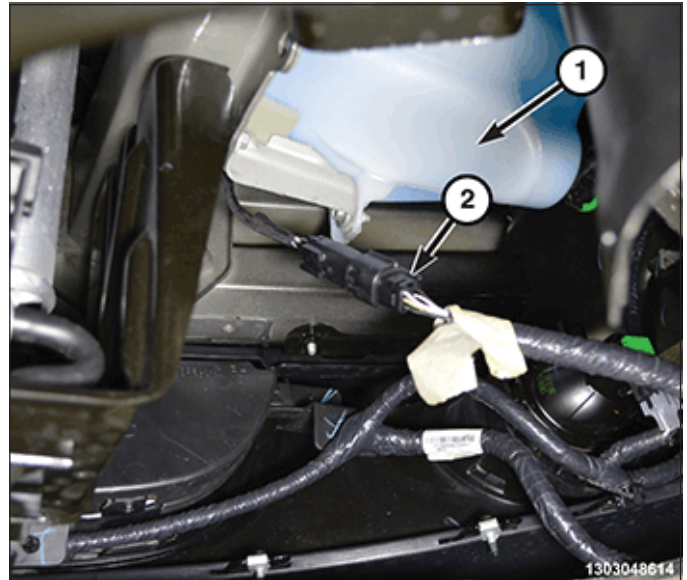
1. Raise and support the vehicle.
2. Disconnect and isolate the negative battery cable. If equipped with an Intelligent Battery Sensor (IBS), disconnect the IBS connector (1) first before disconnecting the negative battery cable. The IBS sensor is located on the negative battery lug.



3. Remove the fasteners (1) and remove the engine belly pan (2).



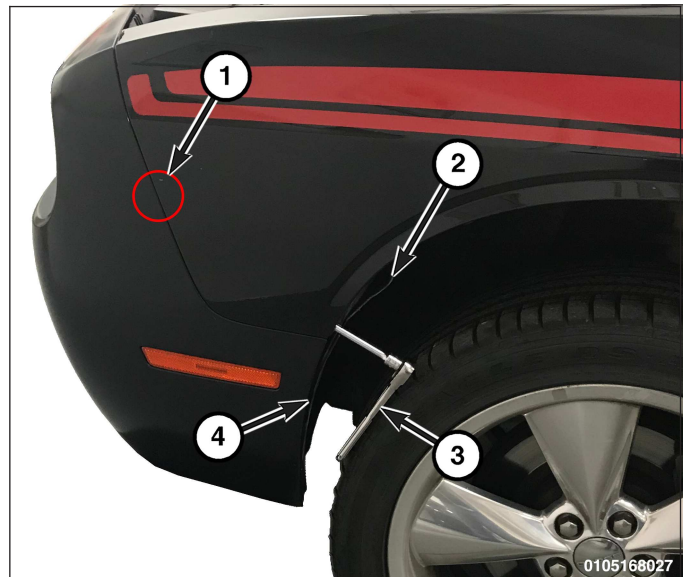
4. Disconnect the fascia wire harness connector (2) located under the washer fluid bottle (1) on the right side of vehicle.



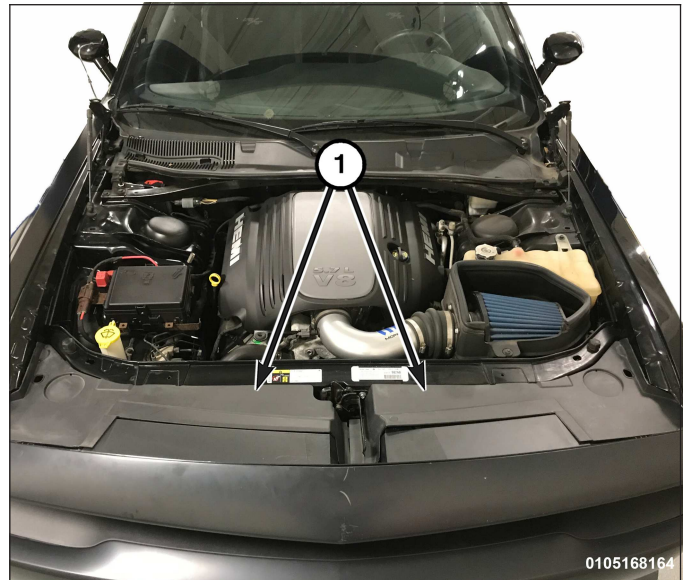
5. Remove the plastic rivets securing the splash shields (1) to the front fascia.



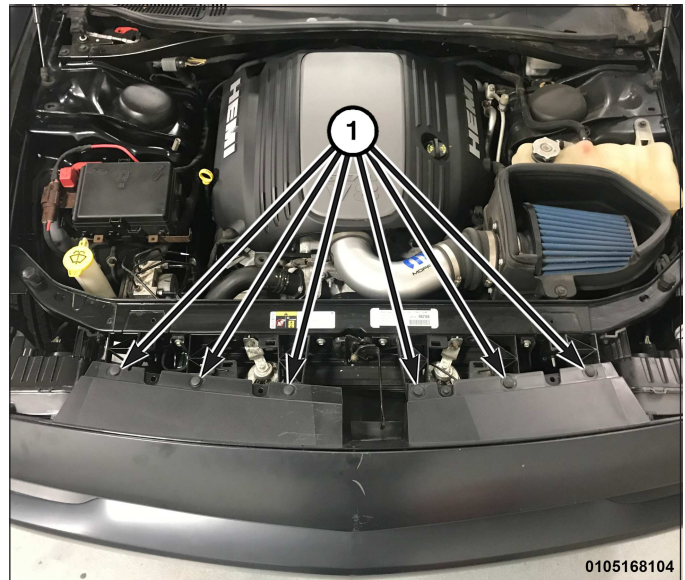
6. Pull back the splash shield (2) and remove the hidden bolt (4) securing the fascia to the front fender.
7. Using a long suitable tool (3), remove the hidden fascia mounting nut (1) recessed in the fender well.



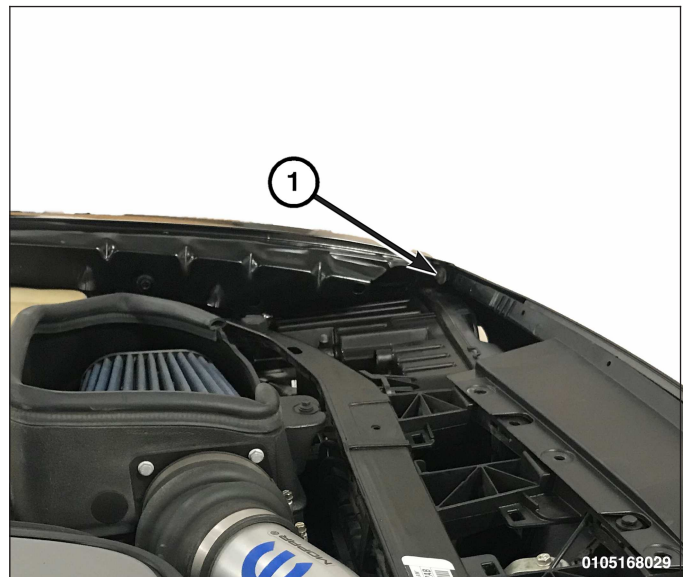
8. Lift out both front fascia upper closeout panels (1).



9. Remove the six push pin fasteners (1) securing the top of the front fascia.



10. Remove the nut (1) securing the fascia to the top of the fender on both sides of vehicle.



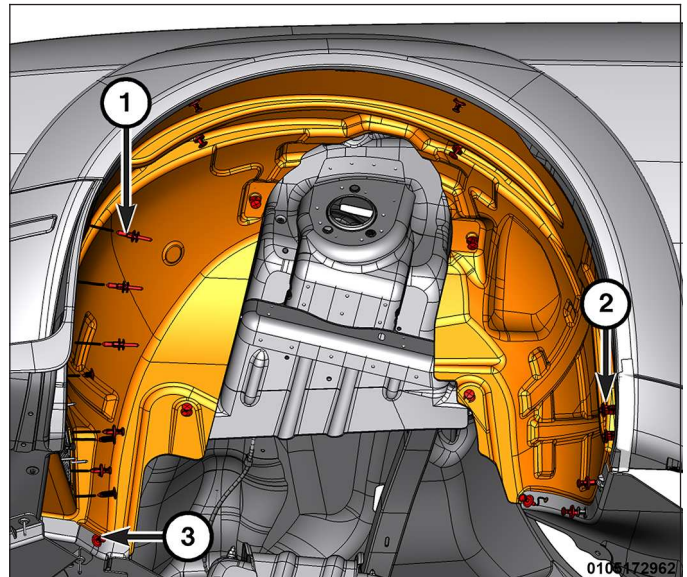
11. Pull outward on the sides of the front fascia to disengage the retaining tabs (2), then pull the fascia forward and remove. Use caution when removing the fascia so the fascia to fender mounting stud (1) does not scratch the front fender upon removal.



12. Remove the front wheel assemblies.

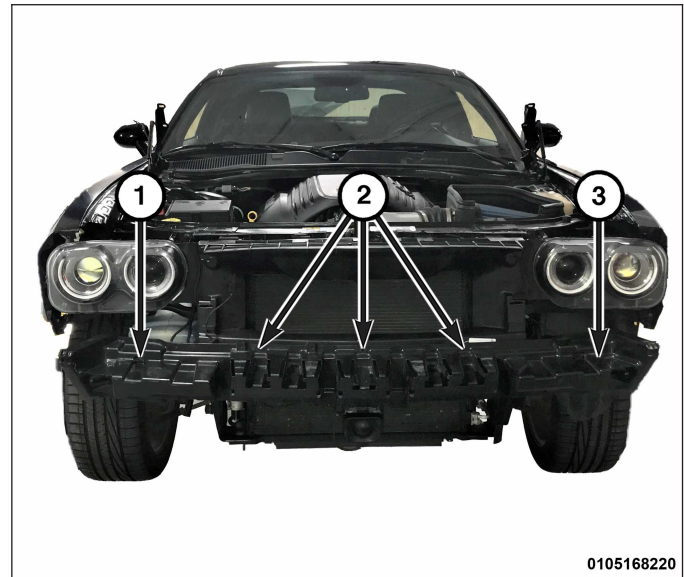
NOTE: Removing the front wheels allows easier access when removing the splash shields but is not necessary.

13. Remove the two fasteners (2) and remove the front spat.
14. Remove the push pin fasteners (3) that secure the front splash shield to the vehicle.
15. Ensure all fasteners including plastic rivets (1) are removed then remove the front splash shields from the vehicle.
- NOTE: Repeat appropriate procedures for other side.**



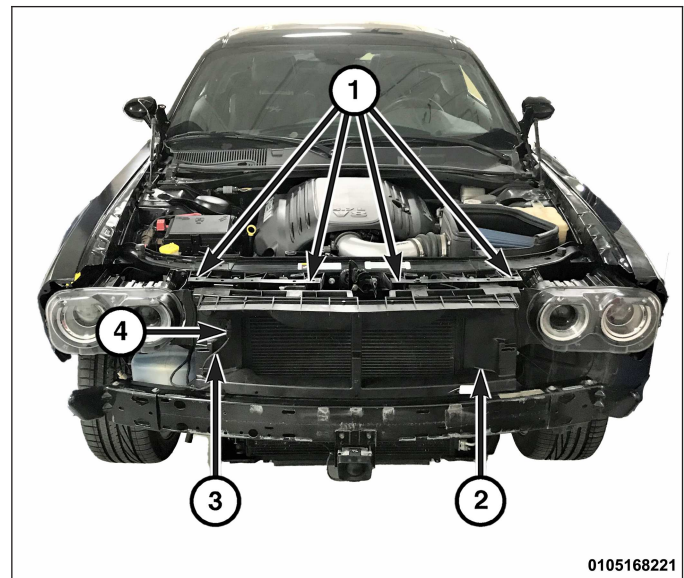
16. Remove the push pin fasteners (2).
17. Release the clips (3) and remove the absorber (1).

NOTE: Vehicle shown with Adaptive Cruise Control (ACC), your vehicle may not be equipped with ACC.

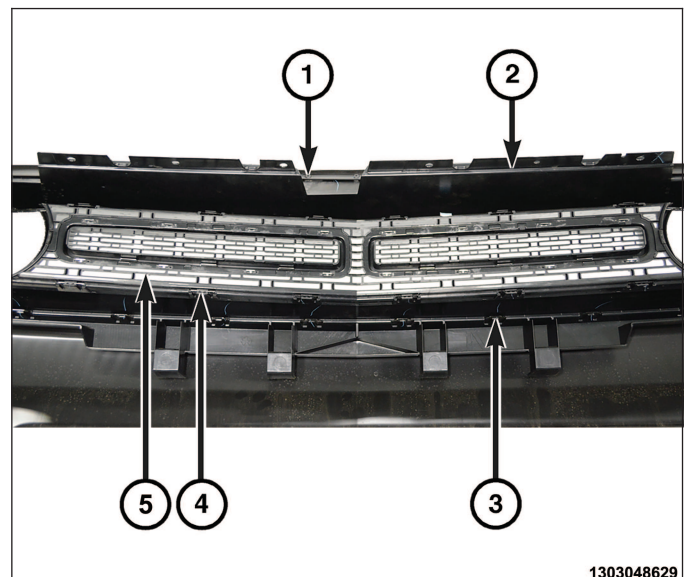


18. Disconnect the wire harness connector and remove the ambient air temperature sensor (4).
19. Separate the wire harness (3) and position aside.
20. Remove the push pin fasteners (1) and lift out the fascia support (2).

NOTE: Vehicle shown with Adaptive Cruise Control (ACC), your vehicle may not be equipped with ACC.



21. Remove the necessary rivets (1) at the top of the fascia and remove the hood seal.
22. Using a flat bladed tool or equivalent, release the tabs (3 and 4) and remove the upper grille (5) and closeout panel (2) from the front fascia.

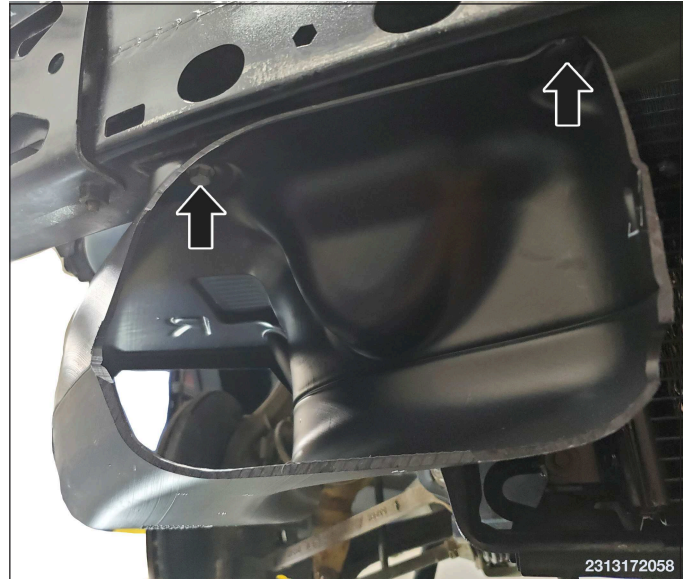


FRONT FASCIA INSTALLATION

Prior to fascia installation, install the air ducts by following the steps below.

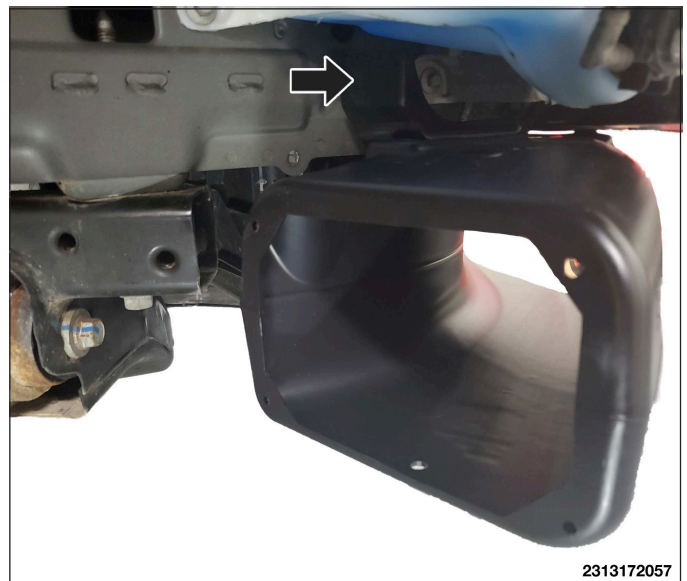
NOTE: Some modification may be required depending on how your vehicle is configured. These modifications may include, but are not limited to, adding holes for mounting or removing old shields that do not provide provisions for new duct.

1. Using the appropriate fasteners secure the passenger side air duct to the bottom of the bumper.
2. Install the lower condenser closeouts to the inside front of the ducts.



3. Install a push pin on the outside frame.

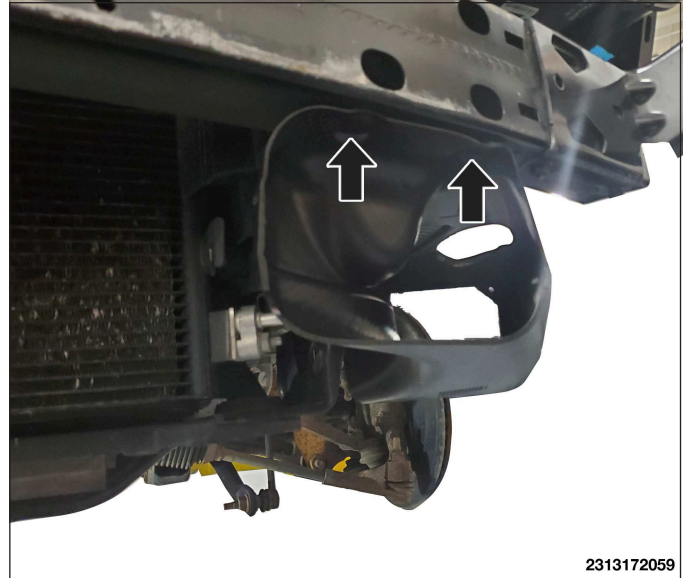
NOTE: In some cases it may be necessary to drill this hole. Position the air duct and mark the frame. The washer solvent reservoir may be unfastened and moved to drill the hole.



- Using the appropriate fasteners secure the drivers side air duct to the bottom of the bumper.

NOTE: Shield removal may be required to mount the driver side air duct.

- Install the lower condenser closeouts to the inside front of the ducts.



2313172059

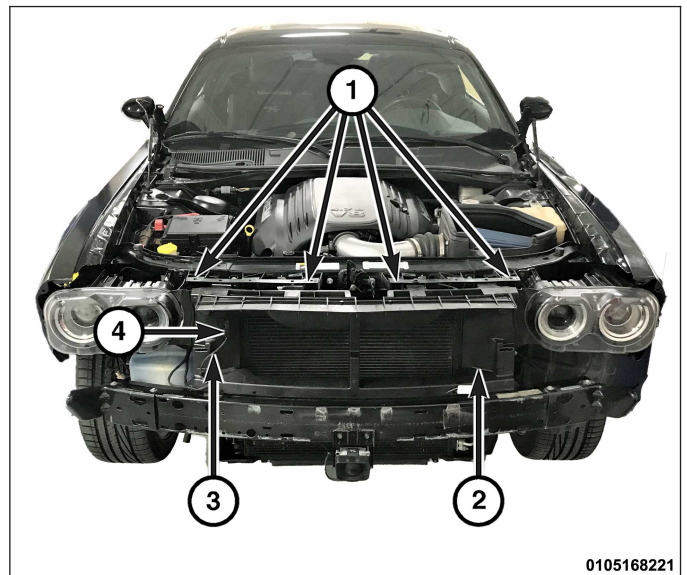
- Install a push pin on the outside frame.



2313172060

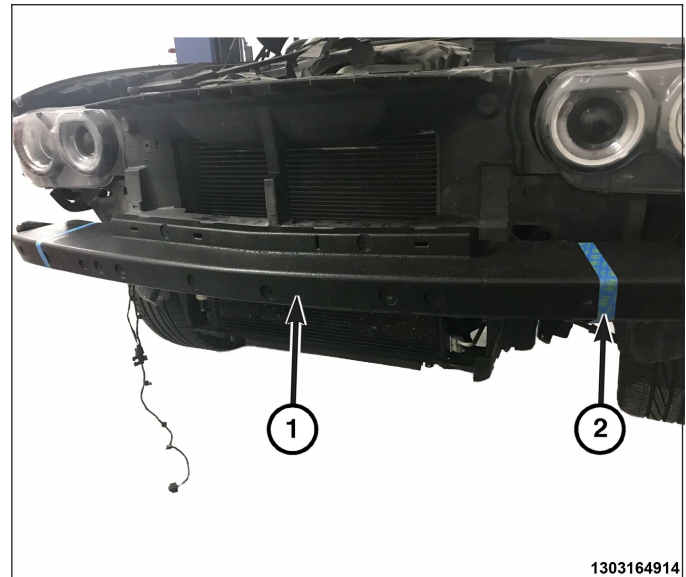
NOTE: Vehicle shown with Adaptive Cruise Control (ACC), your vehicle may not be equipped with ACC.

- Position the **NEW** support (2) on the vehicle.
- Install the push pin fasteners (1) and seat fully.
- Position the wire harness (3) back and seat fully.
- Install the ambient temperature sensor (4) and connect the wire harness connector.



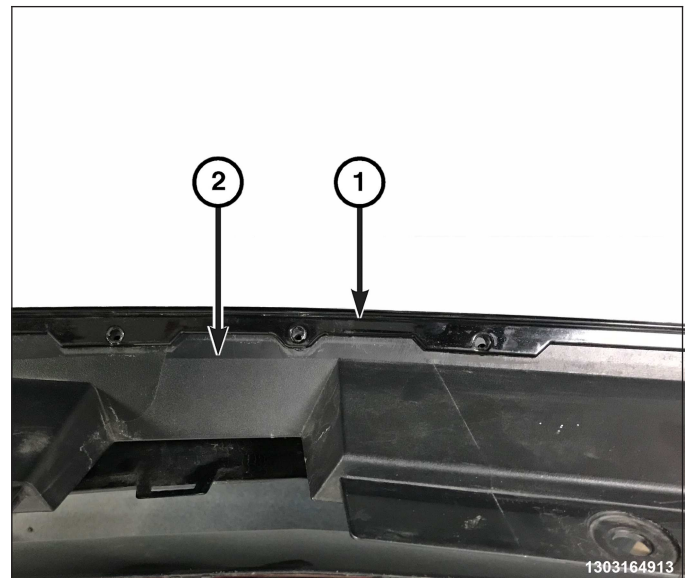
0105168221

5. Install the absorber (1) and temporarily secure for installation using suitable tape (2) or suitable adhesive.



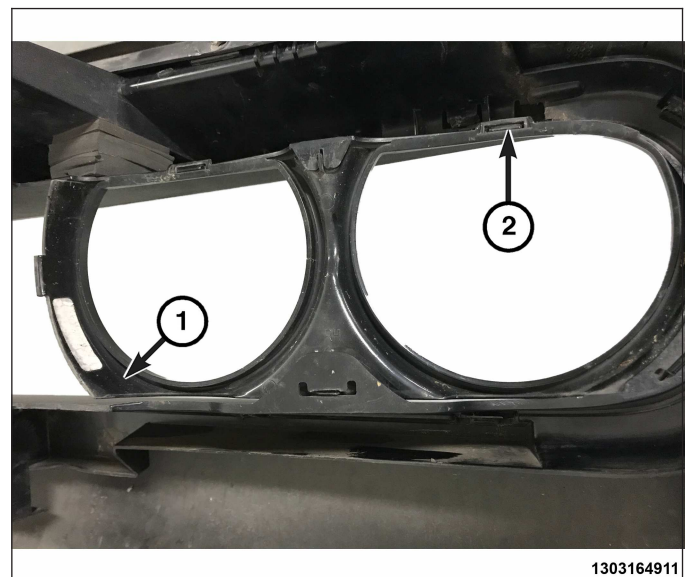
6. Position the **NEW** head light closeout panel (2) to the fascia (1), making sure the top of the closeout panel is behind the fascia.

NOTE: The headlight closeout panel must be installed before installing the fascia mounting flanges.

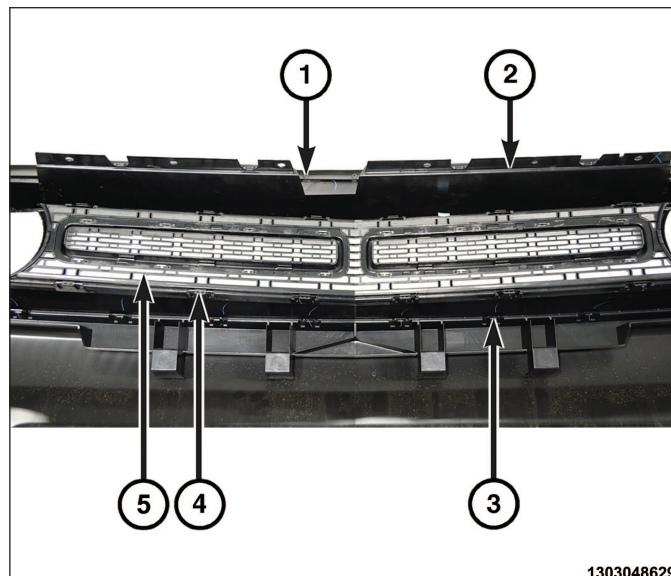


7. Position the headlight bezels (1) in the closeout panel and engage the mounting tabs (2).

NOTE: Bezels must be installed before installing the upper grille.



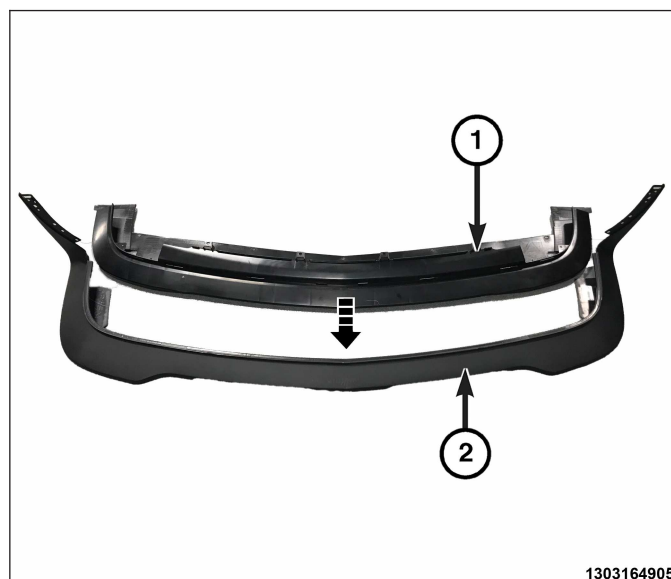
8. Position the **NEW** grille (5) on the closeout panel (2) and engage the tabs (3 and 4).
9. Install the hood seal and secure the fascia, headlight closeout, and hood seal using plastic rivets (1).



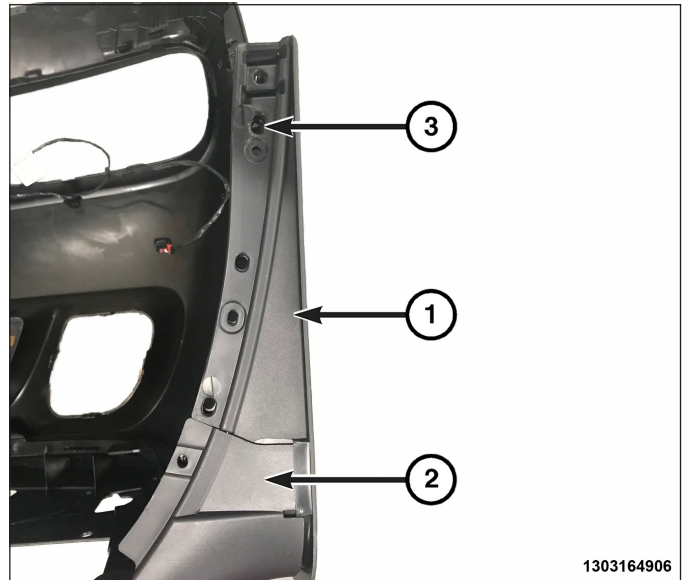
10. Install the U-nuts (1) to the mounting tabs for the lower grille on the fascia.



11. Install the air dam reinforcement (1) to the air dam (2).

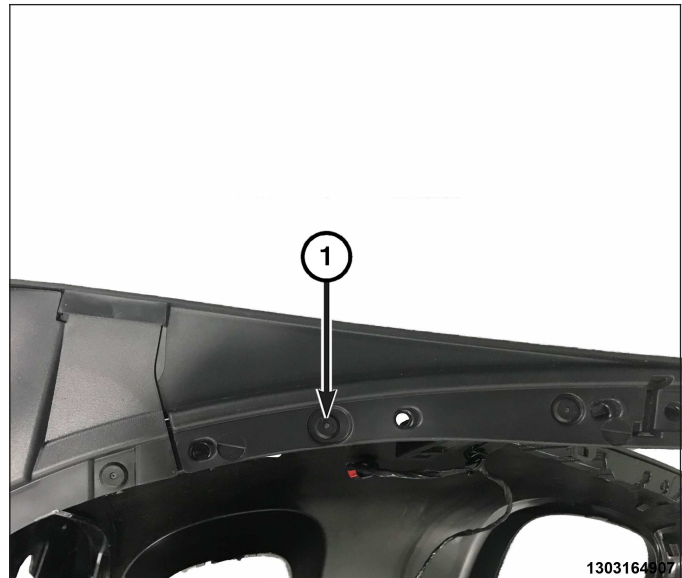


12. Install the air dam (1) to the bumper fascia. Verify the recessed mounting holes (3) are aligned in the fascia. Install the lower closeout panels (2) to the fascia.

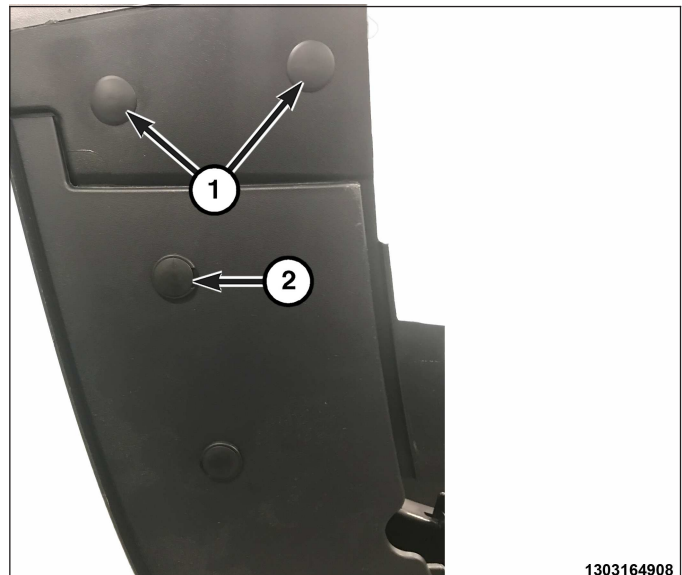


13. Secure the air dam and closeout panels using plastic rivets (1).

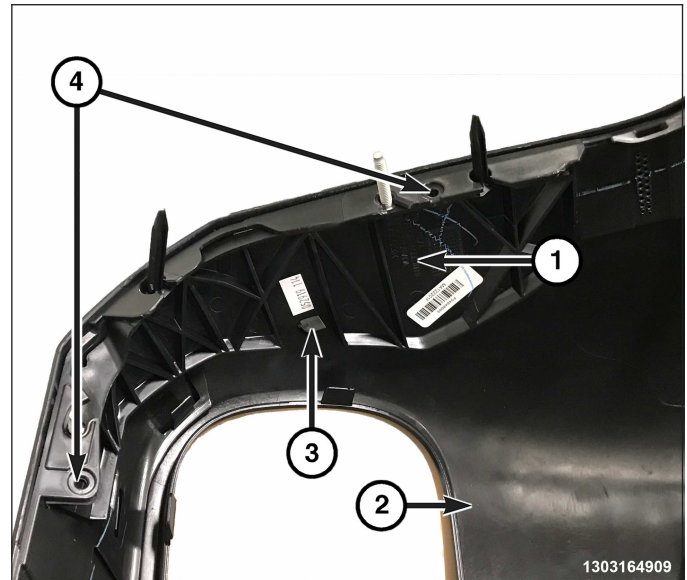
NOTE: Install plastic rivets only in the recessed holes for this step.



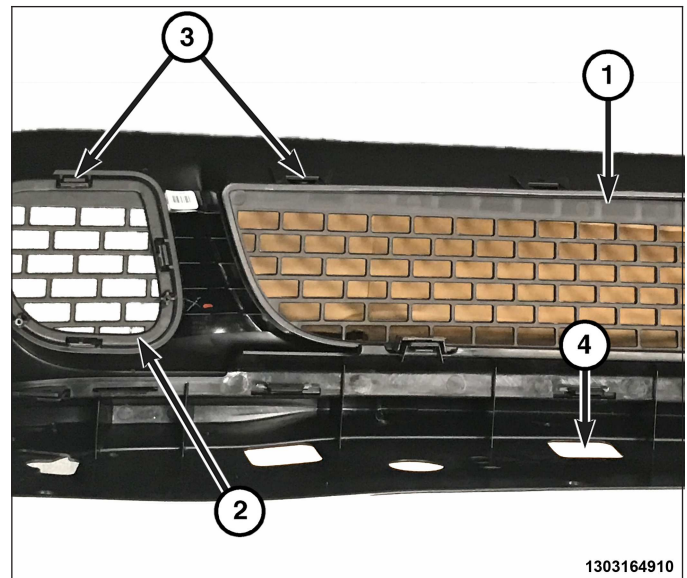
14. Secure the lower air dam closeout using plastic push pins (1). Secure the air dam reinforcement to the air dam using the push pins (2).



15. Install the supplied front fascia mounting brackets (1) into the fascia (2) and verify the lock tab (3) is fully engaged.
16. Install two rivets in the fascia mounting flange holes (4).



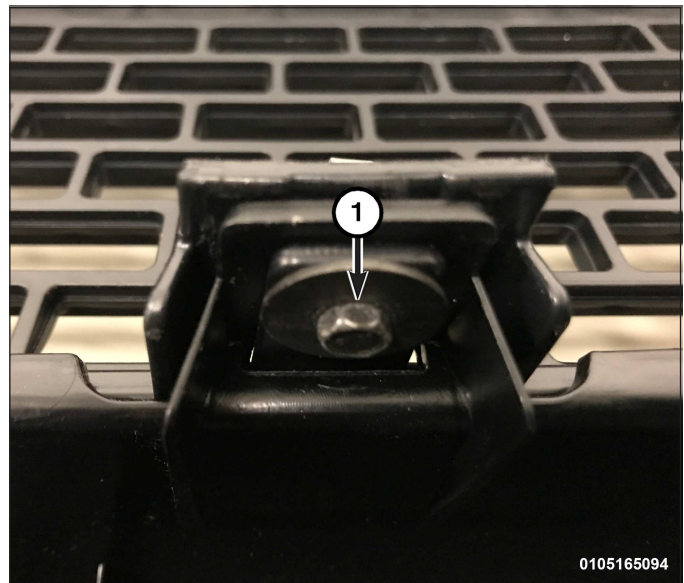
17. Position the fog light grilles (2) and the lower grille (1) in the front fascia and engage the mounting tabs (3). Plugs for the lower access holes (4) are provided for installation after components are properly screwed in.



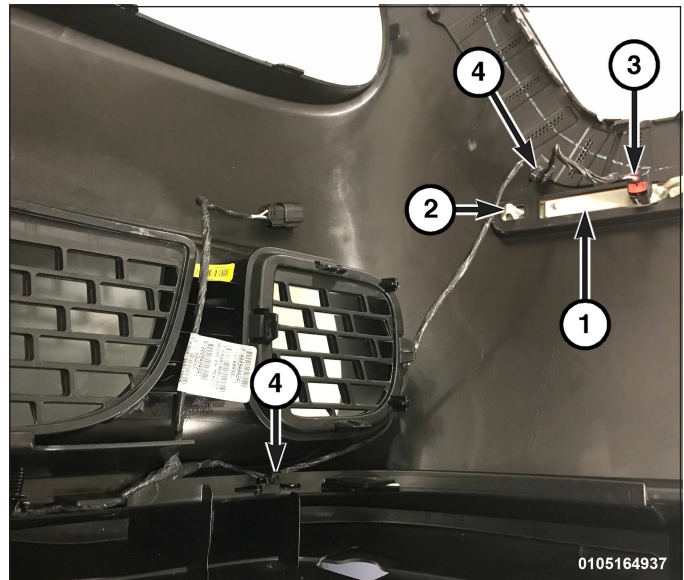
18. Install the lower grille to the fascia and air dam assembly and install the six screws (1) to the upper mounting holes for the lower grille.



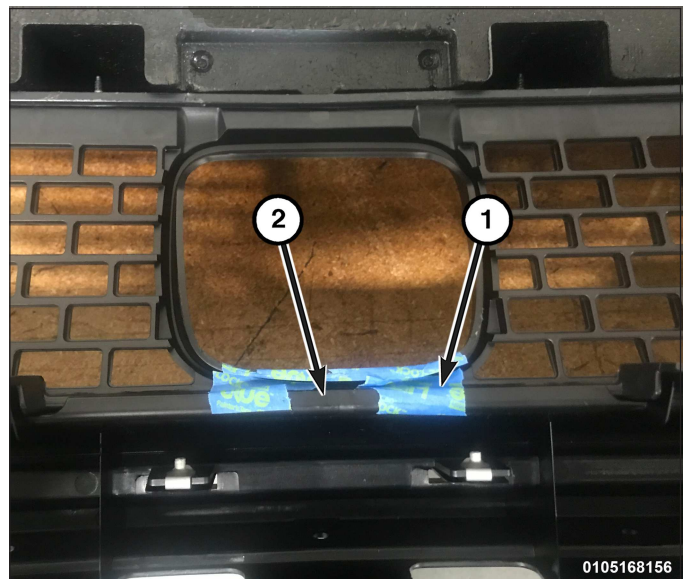
19. Install the four screws (1) to the lower radiator grille, lower mounts. Verify the air dam, air dam support, and grille mounting tabs are all captured before securely tightening.
20. Install the round and square closeout plugs to the lower air dam.



21. Install the side marker lamps (1) to the fascia, making sure the lock tabs (2) are fully engaged.
22. Install the supplied fog lamp delete harness to the fascia using the original mounting tab locations (4).
23. Connect the side marker lamp wire harness connectors (3).



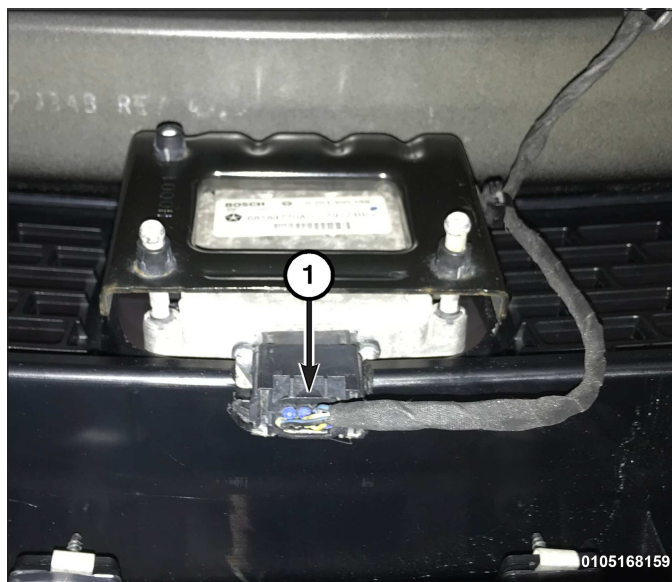
24. If equipped with Adaptive Cruise Control (ACC) it may be necessary to trim the lower grille and air dam to clear the radar module and wire harness connector. Tape off the air dam and grille (1) in the center, measure 1.5 in. (2.54 cm) wide and 3/4 in. (1.905 cm) deep (2).



25. Using a suitable cutting tool, trim the fascia and air dam for relief (1).



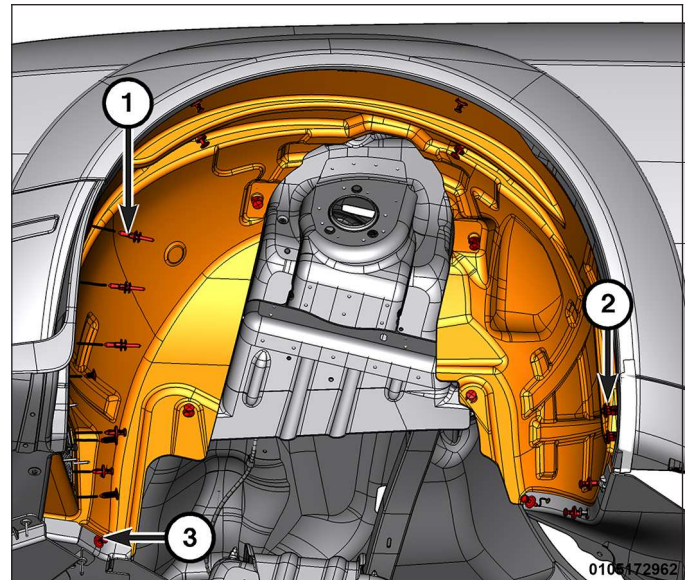
26. Test fit the fascia to verify there is clearance around the ACC wire harness connector (1) and that the fascia is not pressing on the module or connector.



27. Verify that the lower grille (1) is not contacting the ACC module.

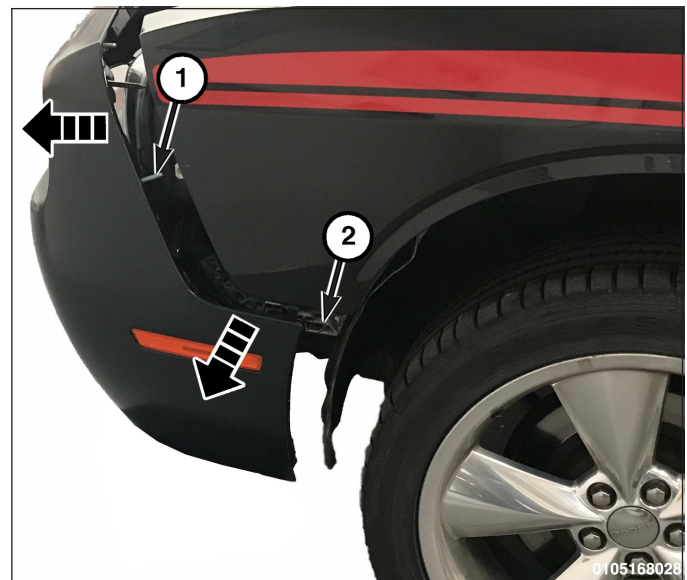


28. Position the **NEW** front wheelhouse shield into the front fender well.
29. Install the push pins (3) that secure the front wheelhouse shield to the vehicle. The splash shield to fascia rivets (1) will be installed later.
30. Install all other push pins that hold the liner to the body and brake cooling duct.
31. Install the front spats and install the two fasteners (2).

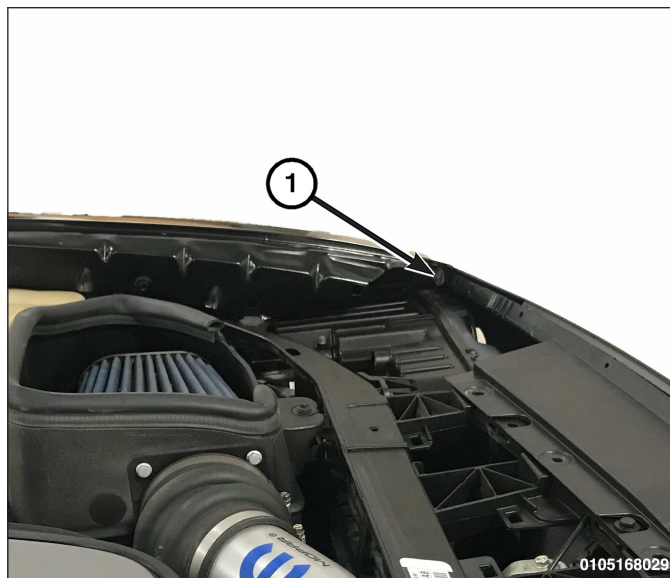


32. Turn the wheels as needed to gain access. If removed, install the front wheel and tire assemblies and tighten to the following:
SRT 111 Ft.-Lbs (150 N-m), **BASE** 130 Ft.-Lbs (176 N-m).

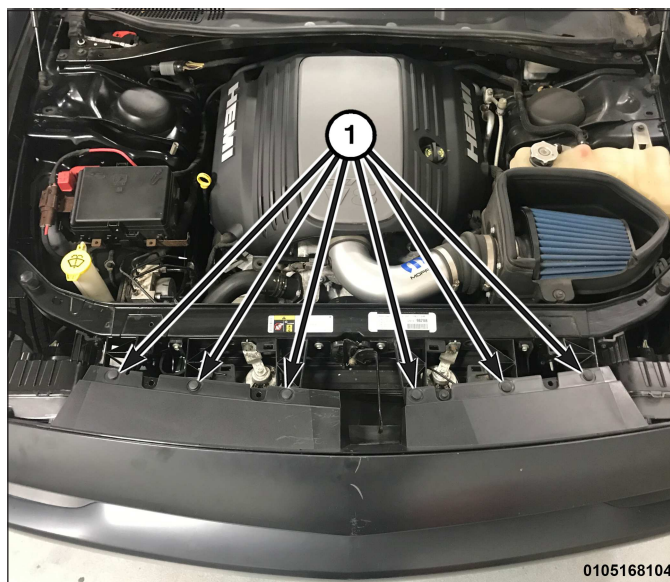
33. Carefully position the front fascia onto the vehicle, aligning the studs (1) and seating it fully. Use caution when installing the fascia to avoid scratching the fender when locating the guide pin or fascia to fender mounting stud.
34. Hand tap the front fascia to engage the retaining clips (2).



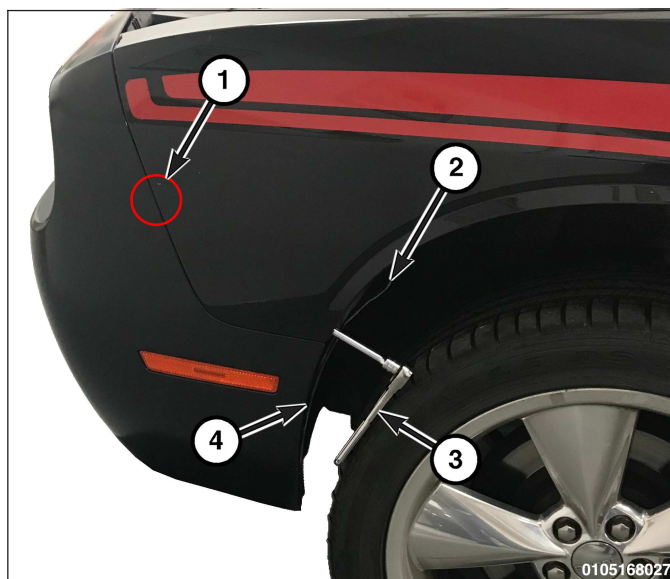
35. Install the nut (1) securing the fascia to the top of the fender and tighten securely.



36. Install the six push pin fasteners (1) securing the top of the front fascia.



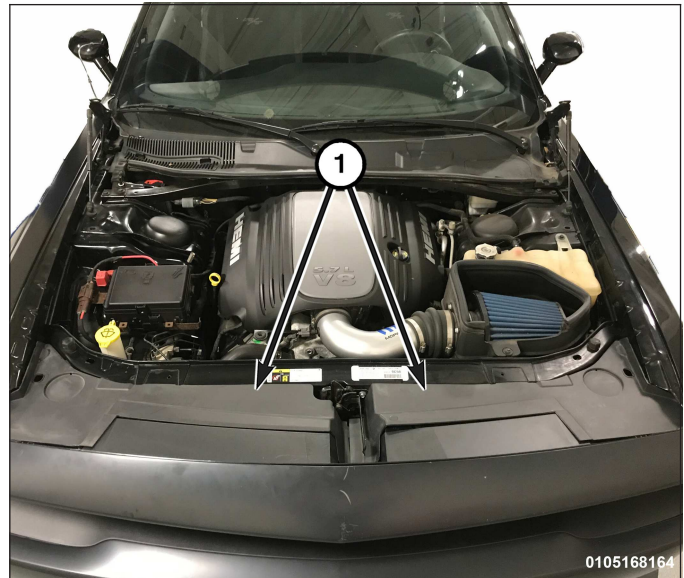
37. Using a suitable tool (3), install the fascia to fender mounting nut (1) recessed in the fender well and tighten securely.
38. Install the hidden fascia mount bolt (4) and tighten securely.
39. Position the splash shield (2) back to the fascia.



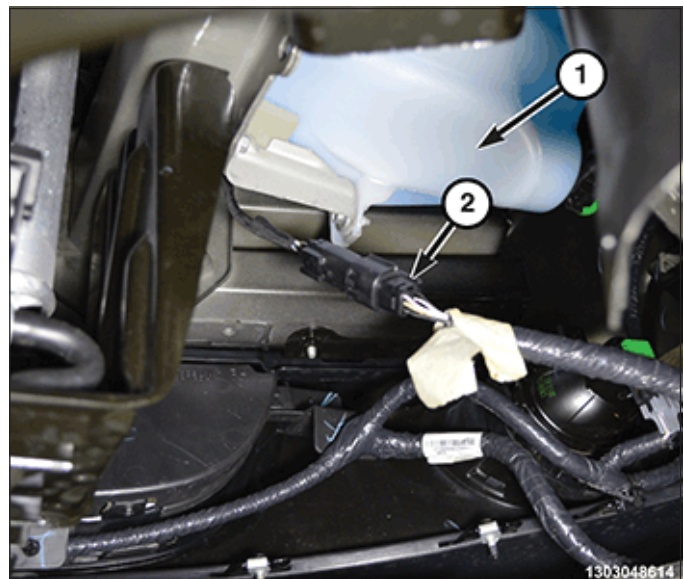
40. Install **NEW** plastic rivets (1) to secure the splash shields to the front fascia.



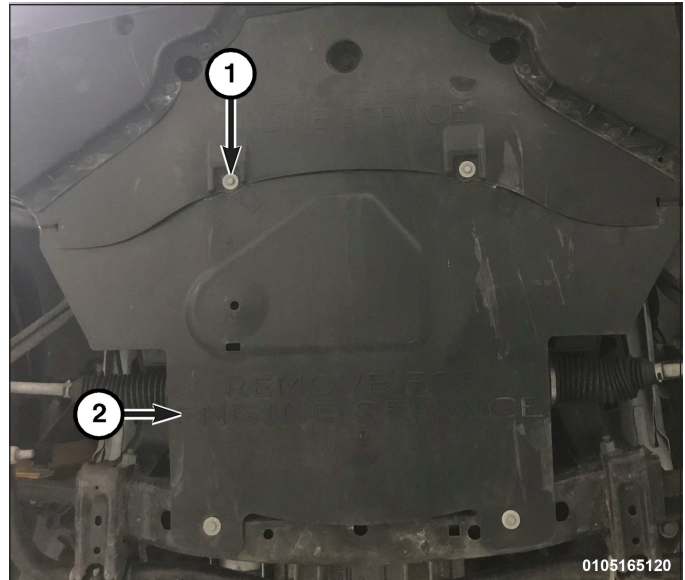
41. Install the upper closeout panels (1).



42. Connect the fascia wire harness connector (2) located under the washer fluid bottle (1) on the right side of vehicle.



43. Install the front fascia lower closeout panel.
44. Install the engine belly pan (2) and install and securely tighten the fasteners (1).



45. Remove the support and lower the vehicle.
46. Connect the negative battery cable. If equipped with an Intelligent Battery Sensor (IBS), connect the IBS connector (1).

