

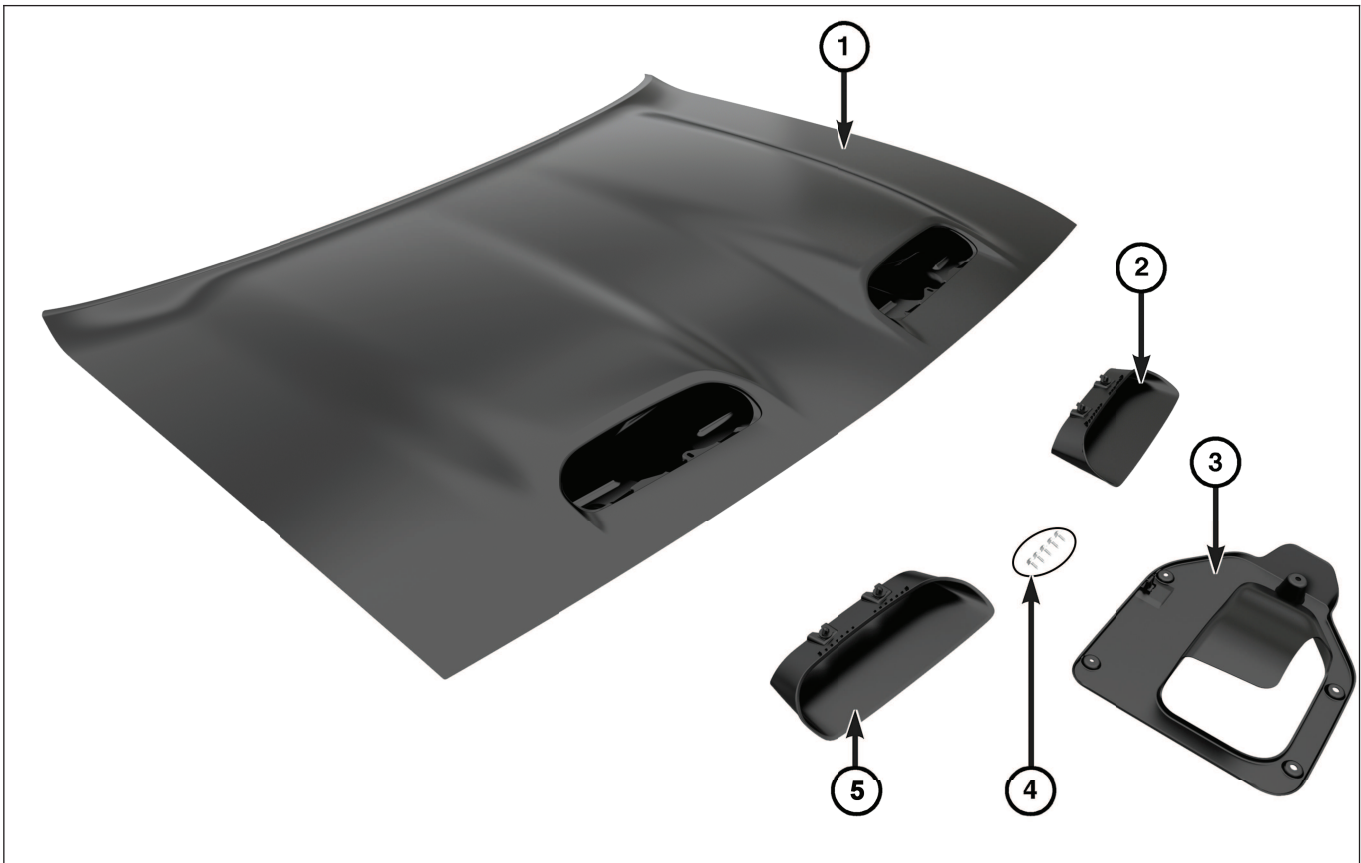


Direct Connection Performance Part

REDEYE HOOD

PART NUMBER: 77072554AC

2015+ CHALLENGER



Item	Description	Part Number	Quantity
1	Hood	68502581AB	1
2	Bezel, Hood, Left	68378081AD	1
3	Bezel, Air Inlet	68378082AB	1
4	Screw	06511333AA	5
5	Bezel, Hood, Right	68378080AD	1

NOTE: Some items may be shipped with more than the quantity needed to perform the procedure.

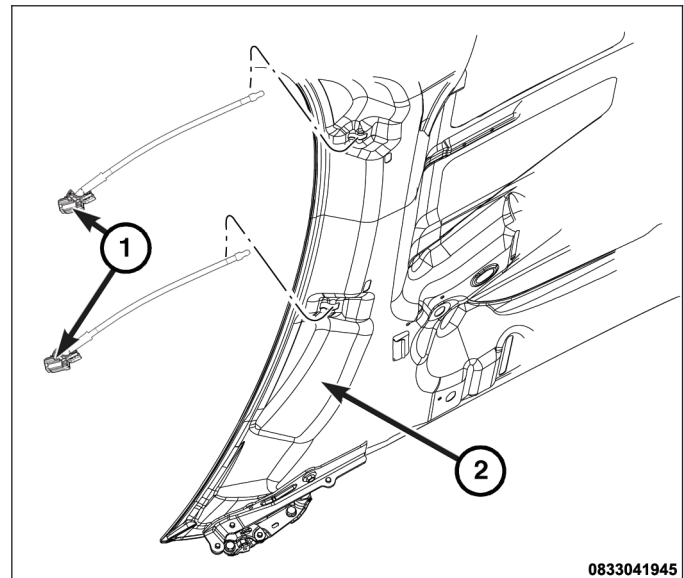
PLEASE READ ALL INSTRUCTION PRIOR TO INSTALLATION.
FOR ASSISTANCE CONTACT DIRECT CONNECTION TECH HOTLINE 1-800-998-1110

HELLCAT HOOD REMOVAL

1. Remove the hood striker bolts and the hood striker from the hood.
2. Disconnect the windshield washer hose from the T-connector.
3. Unclip the windshield washer hose from the hood.
4. Remove washer nozzles, fittings, hoses and clips.
5. With the help of an assistant holding the hood, remove the bolts and the hood.

HELLCAT HOOD INSTALLATION

1. Install washer nozzles, fittings, hoses and clips:
 - 1) Insert the washer nozzle nipple and extension tube (1) through the mounting hole on the rear surface of the inner hood reinforcement (2).



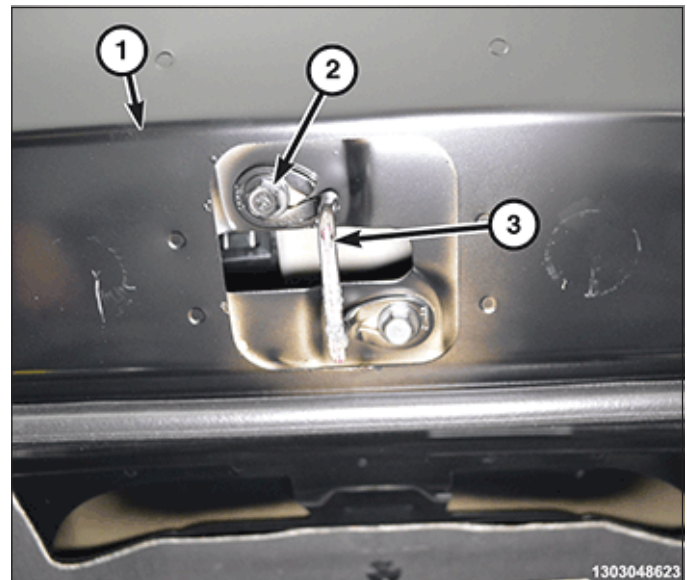
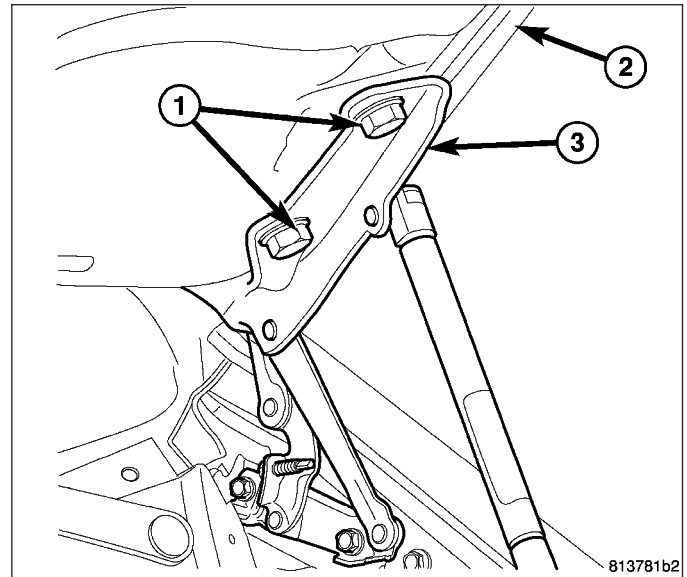
0833041945

- 2) Index the locating ridge on the nozzle body to the upper edge of the mounting hole.
- 3) Using hand pressure, push firmly and evenly on the washer nozzle body until the integral latch feature snaps into place within the mounting hole.
- 4) From the underside of the hood, transfer and reconnect the washer hose fitting to the barbed nipple of the nozzle.

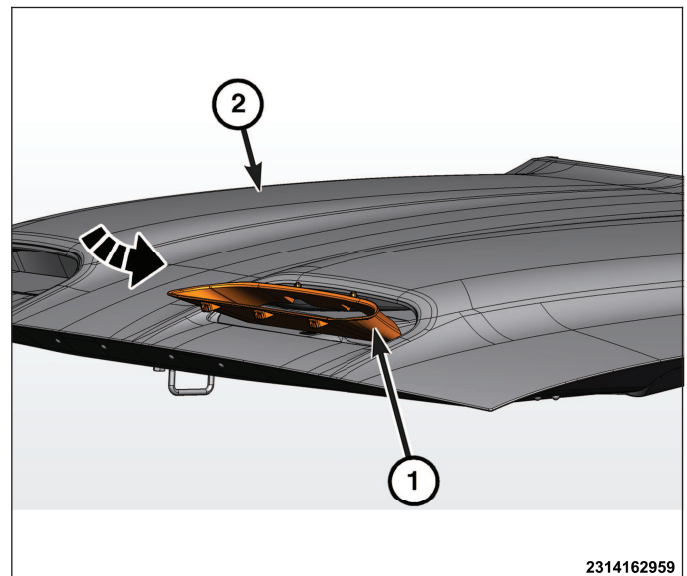
2. With assistance from a helper, position the hood (2) onto the hood hinges (3) and loosely install the bolts (1).
3. Align the hood with the hood hinges and tighten the hood hinge to hood bolts to **28 N·m (21 Ft. Lbs.)**.

CAUTION! Slowly lower hood to verify alignment. Damage to hood and/or body panels could be caused by misalignment.

4. Verify proper fit of hood. Adjust if necessary.
5. Clip the windshield washer hose to the hood.
6. Connect the windshield washer hose to the T-connector.
7. Install latch striker (3) and position to the underside of the hood (1).
8. Install and tighten the two bolts (2) that secure the striker to the hood inner reinforcement. Tighten the screws to **28 N·m (21 Ft. Lbs.)**.
9. Verify proper hood latch operation and adjust if necessary.



10. Install the left and right hood bezels:
 - 1) Insert the tops of the left and right hood bezels (1) into the topside of the hood (2).
 - 2) Push at the bottom of hood bezels to engage the retaining clips.



11. Install the air inlet bezel:

- 1) Install the air inlet bezel (1) into the underside of hood (2) and verify that the tab is fully engaged.
- 2) Install the retaining screws (3) and tighten securely.

