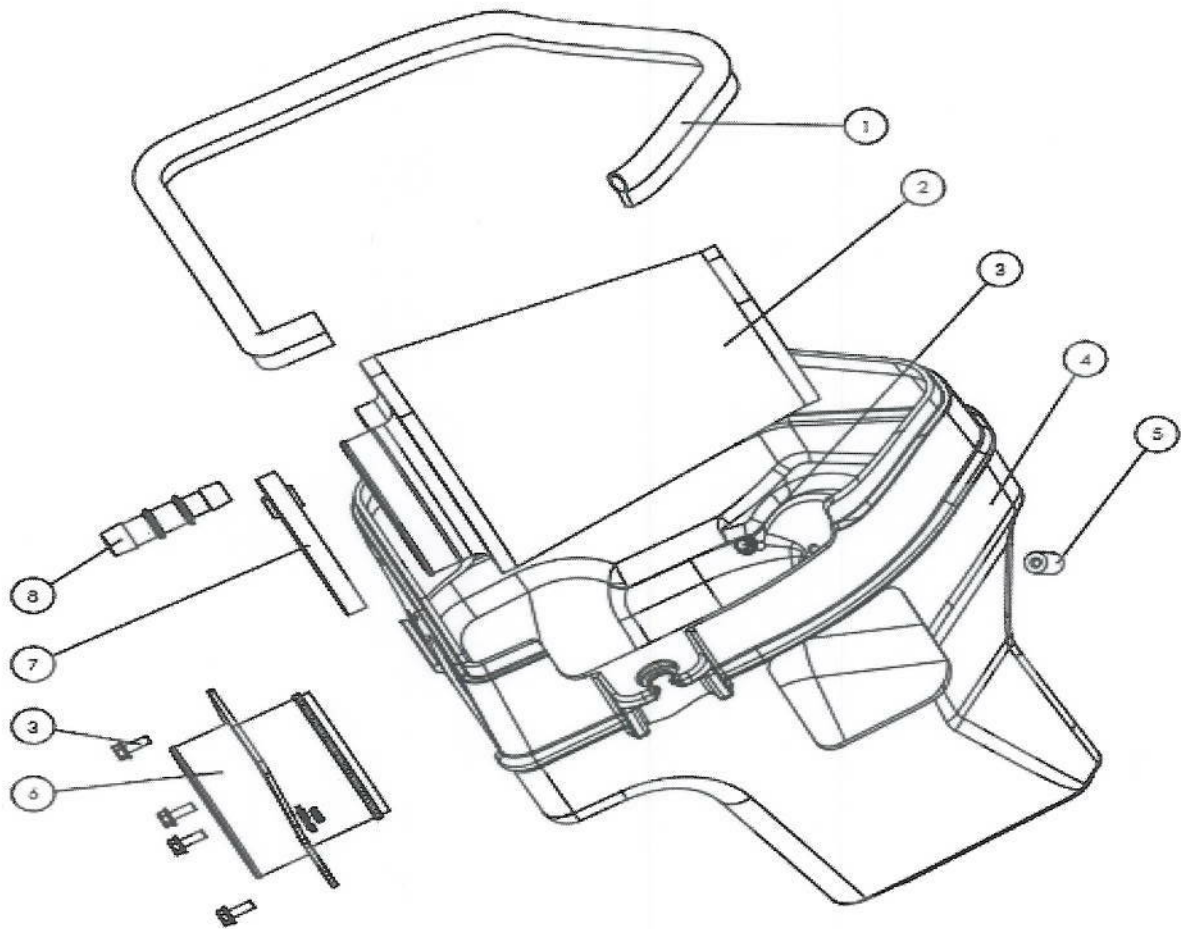




INSTALLATION INSTRUCTIONS
AIR INTAKE KIT
2014 CHALLENGER SHAKER 5.7L V8
 PART NUMBER 68239826AA

Bill of Materials for 68239826AA

Item	Qty.	Part No.	Description	Torque
1	1	102507	Edge Trim; 3.4", Top Loc..	
2	1	MP-M-1012	Filter	
3	5	08373	Bolt: M6 x 1.00 x 16 Hex; FLG	8 N.m (70in/lb)
4	1	9-0398-M	Air Box	
5	1	081004	Threaded Boss; 5/8" OD x 3/4" L	
6	1	08516	Filter Adaptor Tube	
7	1	9464	1/2" BNDHOSE Clamp, 3.56"-4.50"	3.4 N.m (30 in/lb)
8	1	8-171	Hose Adapter, 3/4" x 5/8"	
9	1	10075	Instructions (Not Shown)	





INSTALLATION INSTRUCTIONS
AIR INTAKE KIT
2014 CHALLENGER SHAKER 5.7L V8
PART NUMBER 68239826AA



IMPORTANT:

This kit includes a high-performance DRYFLOW Air Filter.

DO NOT APPLY ANY OIL TO THIS FILTER!

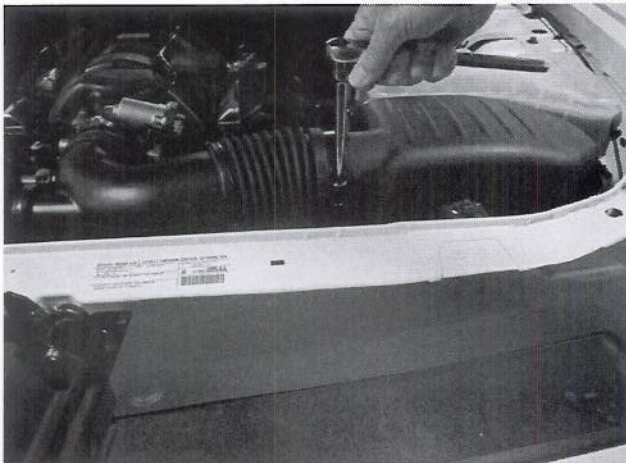
See Step 5 for cleaning instructions.

Read and understand these instructions **BEFORE** attempting to install this product.

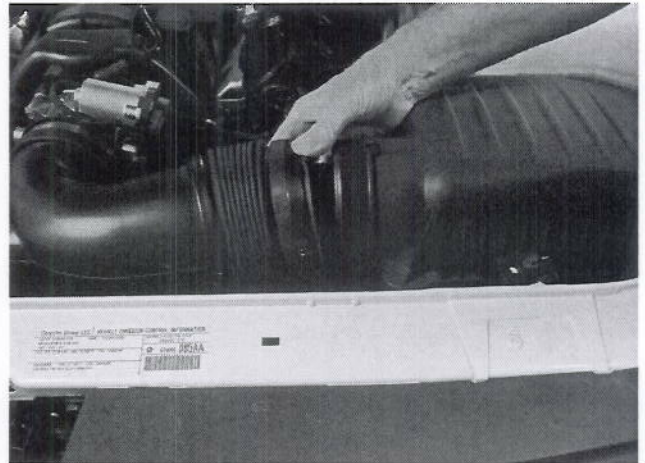
1) Getting Started

- a) If engine has run within the past two hours, open the hood and allow it to cool down.
- b) Make sure the vehicle is parked on a level surface.
- c) Set the parking brake.
- d) Open the Cold Air Intake Kit package and make sure all parts are included.

2) Removal of the stock intake system



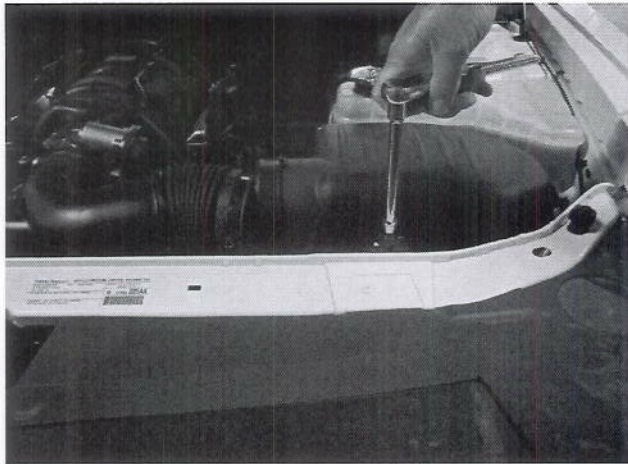
a) Loosen the hose clamp that connects the intake tube to the stock air box.



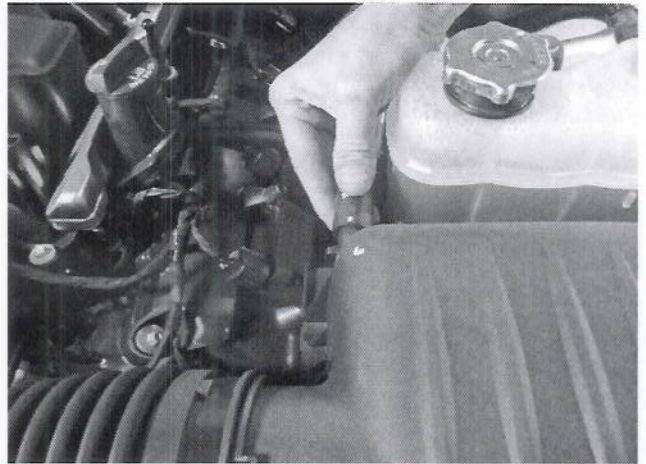
b) Disconnect the intake tube from the stock air box.



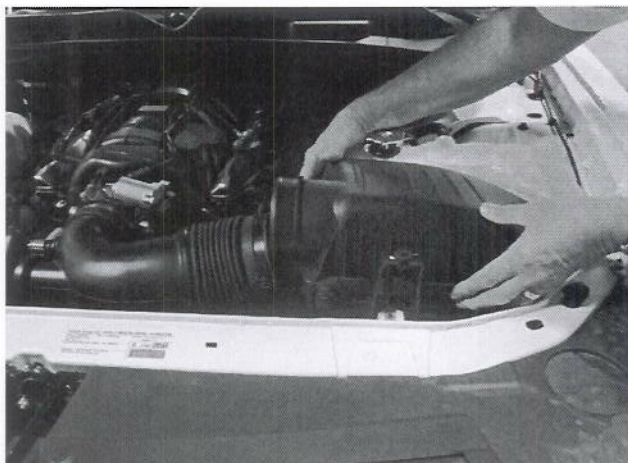
INSTALLATION INSTRUCTIONS
AIR INTAKE KIT
2014 CHALLENGER SHAKER 5.7L V8
PART NUMBER 68239826AA



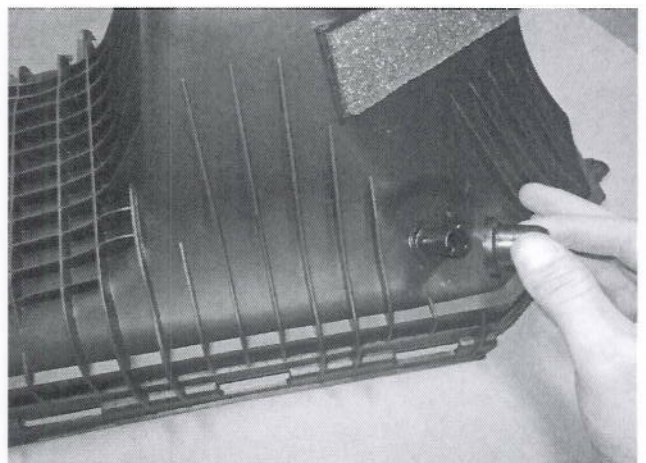
c) Loosen the M6 bolt holding the stock air box to the core support.



d) Unhook the valve cover breather tube from the stock air box.



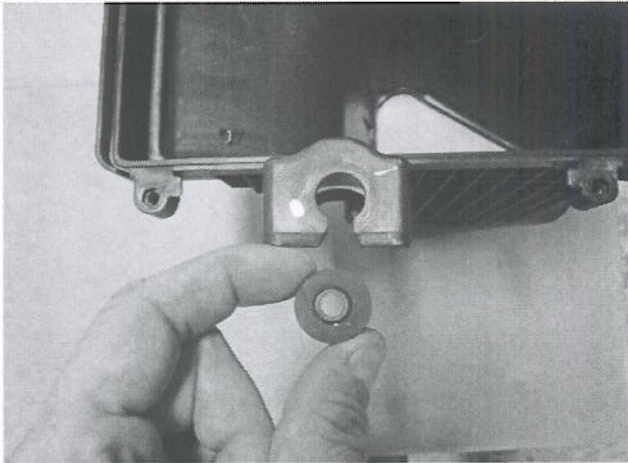
e) Remove the complete stock air box by pulling up and out of the vehicle.



f) Remove the rubber sleeve on the stock air box and place it to the side to be reused later in the installation.



INSTALLATION INSTRUCTIONS
AIR INTAKE KIT
2014 CHALLENGER SHAKER 5.7L V8
PART NUMBER 68239826AA



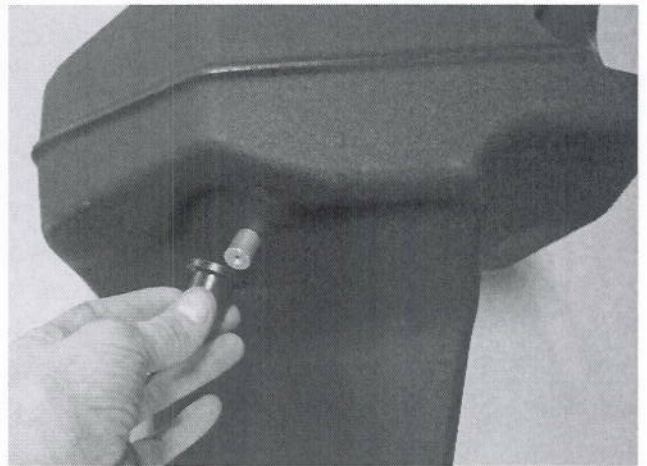
g) Remove the rubber spacer from the stock air box and place it to the side to be reused later in the installation.

3) Installation of MOPAR Air Intake System

NOTE: When installing the MOPAR Cold Air Intake System, **DO NOT** completely tighten the hose clamps or mounting hardware until instructed to do so.



a) Install the provided M6 bolt and spacer into the MOPAR Air Box and tighten to 7 N.m (62 in/lb)



b) Install the sleeve that was removed in 2f) onto the preinstalled spacer.



INSTALLATION INSTRUCTIONS
AIR INTAKE KIT
2014 CHALLENGER SHAKER 5.7L V8
PART NUMBER 68239826AA



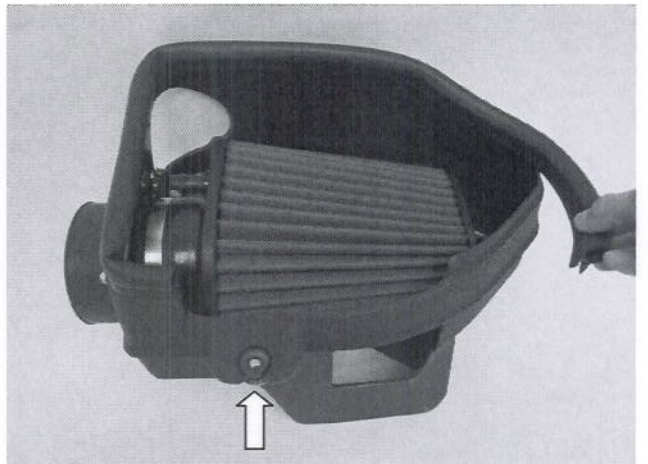
c) Install the supplied Vent Adaptor into the hole on the Air Filter.



d) Install the MOPAR Air Filter into the air box with the flanged Air Filter Adaptor and tighten the provided hose clamp to 3.4 N.m (30 in/lb).



e) Attach the flanged air filter adaptor to the MOPAR Air Box with the four (4) M6 bolts provided and tighten to 7 N.m (62 in/lb).



f) Install the edge trim onto the MOPAR air box along with the grommet that was removed in 2h.



INSTALLATION INSTRUCTIONS
AIR INTAKE KIT
2014 CHALLENGER SHAKER 5.7L V8
PART NUMBER 68239826AA

4) Re-assemble the vehicle

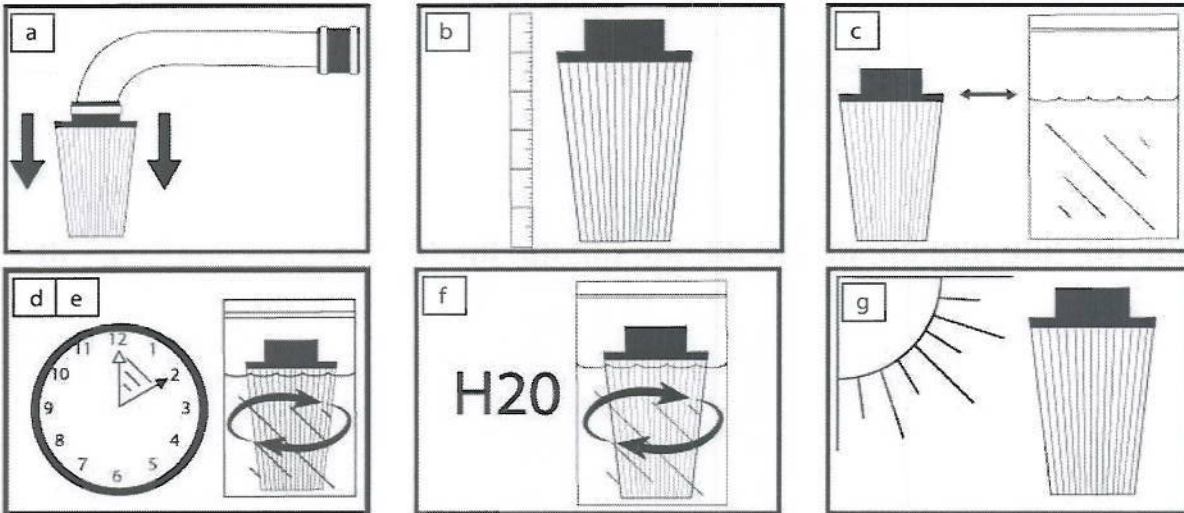
- Inspect all MOPAR Cold Air Intake kit components proximity to AC lines, dip sticks, hoses for ample clearance.
- Tighten all fasteners and hose clamps.**
- Inspect the engine bay for any loose tools, and then check that all fasteners are tight, and that the IAT sensor cable is properly connected.
- Start the engine and allow it to idle, and then perform a final inspection before driving the vehicle.

5) Cleaning Instructions: MOPAR DRYFLOW Air Filter

(It is recommended that you service your MOPAR air filter every 20,000 miles for optimum performance.)

- Remove the air filter from intake system and set the filter clamp aside.
- Measure the length of the filter media.
- Fill a pail with warm clean water to the depth determined in Step B. Add a mild household detergent or DRYFLOW air filter cleaning solution to the water.
- Without allowing the solution to flow into the filter neck, submerge the filter into the water and let it soak for 10 minutes. After soaking, rotate the filter back and forth to agitate the water and knock off dirt.
- Empty the bucket of dirty water. Repeat steps C and D.
- Refill the pail with clean warm water and rinse by rotating the filter as in step D. The water should be clear with no signs of dirt in the pail.
- Allow the filter to air dry. Re-install the filter on the intake system once it is dry.

DO NOT APPLY ANY OIL TO THIS FILTER.



For technical assistance regarding MOPAR Cold Air Intake Systems, please call toll-free 1-888-528-HEMI (528-4364).